



TM-4419M

2011-05

Processes



Stick (SMAW) Welding



MIG (GMAW) Welding

Flux Cored (FCAW) Welding



Non-Critical TIG (GTAW) Welding

Description



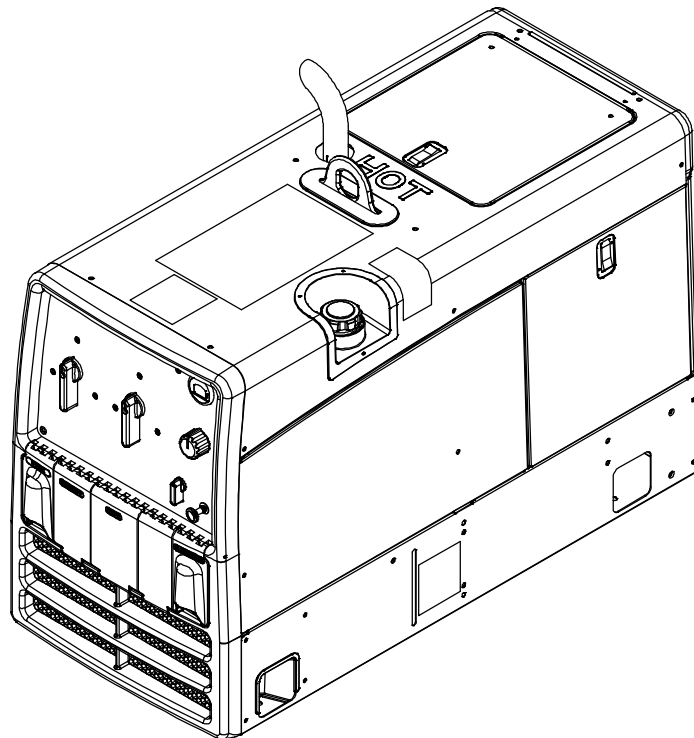
Engine Driven Welding Generator

BobcatTM 250

PARTS LIST

Eff w/LJ440289H And Following

For OM-4419 (211 392) Revisions Q Thru U




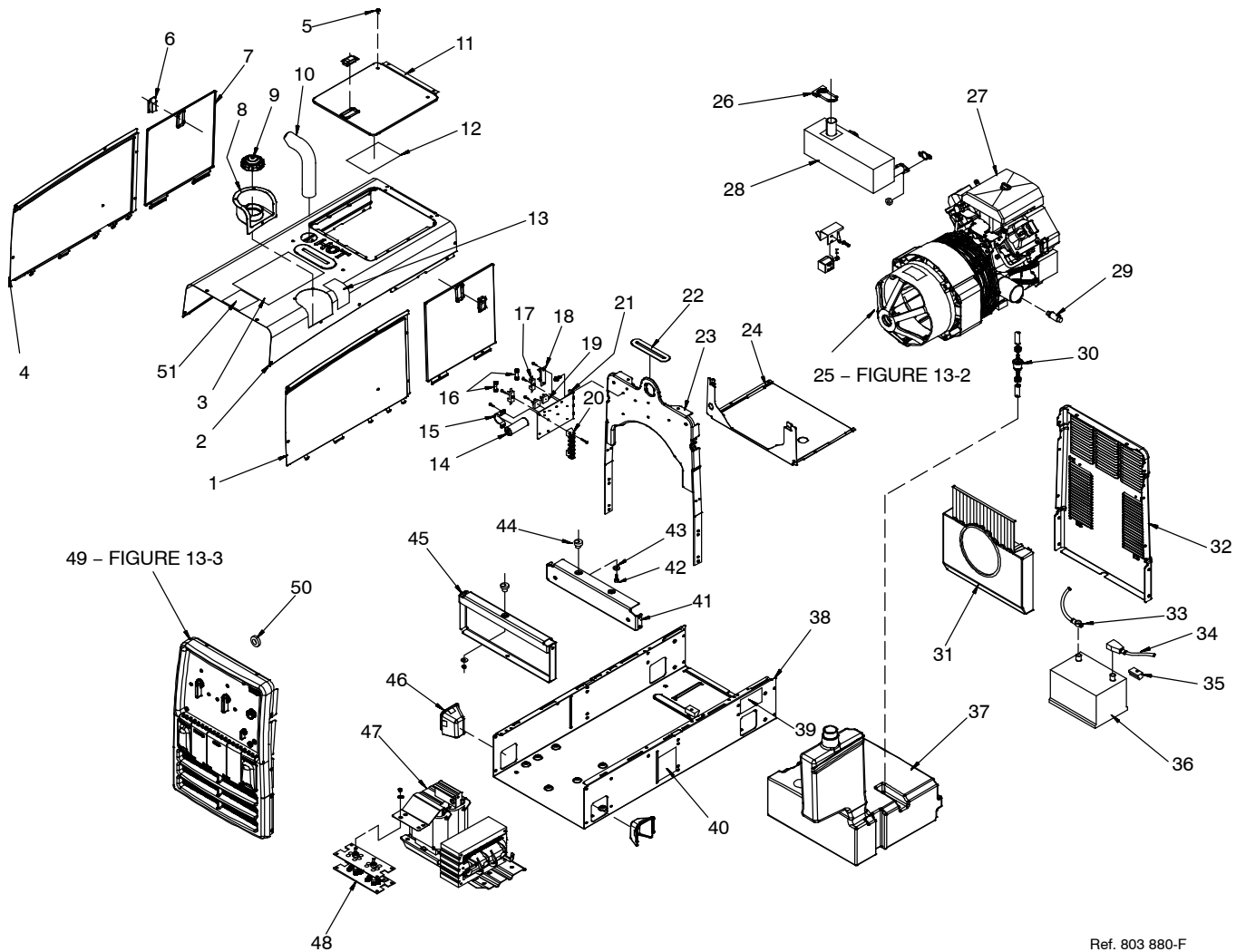
Visit our website at
www.MillerWelds.com

File: Engine Drive



SECTION 13 – PARTS FOR LJ440289H AND FOLLOWING

 Hardware is common and not available unless listed.



Ref. 803 880-F

Figure 13-1. Main Assembly (Kohler Engine Shown)

Eff w/LJ440289H And Following

Item No.	Dia. Mkgs.	Part No.	Description	Quantity
Figure 13-1. Main Assembly				
1		+211366	Panel, Side Rh	1
2		+211367	Cover, Top	1
3		233639	Label, Warning General Precautionary (Bilingual) CSA	1
4		+211365	Panel, Side Lh	1
5		217395	Bumper, Rubber Press-in	12
6		211370	Latch, Door	1
6		234008	Latch, Door	2
7		+238272	Door, Access Engine Side	2
		220371	Seal, Rubber W/Adhesive .370 X .750 X 14.500	2
8		211398	Grommet, Plastic Neck Filler Fuel	1
9		220711	Cap, Tank Screw-on W/Vent	1
10		225759	Pipe, Exhaust Elbow	1
11		+211369	Door Assy, Access Engine Top Std	1
11		246052	Door Assy, Access Engine Top EFI	1
12		228108	Label, Engine Maintenance Subaru/Kohler (Prior to LK500445H)	1
12		245646	Label, Engine Maintenance Subaru/Kohler(Bilingual) (Eff w/LK500445H)	1
13		250795	Label, Warning Gasoline EPA Bilingual	1
14	C1	218680	Capacitor, Elcflt 1500 Uf 75 Vdc Can 1.40 Dia	1
15		177136	Clamp, Capacitor 1.375 Dia	1
16	F1, F2	169296	Fuse, Mintr Gl 25. Amp 125 Volt	2
17		172731	Holder, Fuse Mintr .250 X 1.250 Clip Anti-pivot	2
18	D4	135184	Diode Board	1
19	SR2, SR3	035704	Rectifier, Integ Bridge 40. Amp 800 Volt	2
20	1T	172661	Block, Stud Connection 6 Position	1
		173734	Link, Jumper	1
21		211376	Bracket, Mtg Component	1
22		205734	Seal, Weather Lift Eye	1
23		211360	Upright, Base	1
24		211359	Cover, Tank Fuel	1
25		Figure13-2	Generator Assembly	1
26		209057	Clamp, Muffler 1.625 Dia U Pld	1
27		228835	Engine, Gas Elec Start Kohler (Includes)	1
		228834	Engine, Koh Gas Elec Ch23s-ps-76626 (Prior to MB060268H)	1
		251013	Engine, Koh Gas Elec Ch680-3044 (Eff w/MB060268H)	1
27		245649	Engine, Koh Gas Elec (EFI) ECH730-0011	1
28		228681	Muffler, Exhaust Engine	1
28		245396	Muffler, Exhaust Engine EFI	1
		189477	Muffler Gasket	2
29		165271	Valve, Oil Drain 3/8-18 Nptf	1
30		*215984	Filter, Fuel In-line .250	1
	F6	*021718	Fuse, Mintr Gl 30. Amp 32 Volt	1
	TS1	199530	Solenoid, Idle	1
		*230015	Tune-up & Filter Kit, Kohler (23 HP) (Includes)	1
		230016	Air Filter Element, Kohler	1
		066698	Oil Filter, Kohler	1
		215985	Filter, Fuel w/Clamps & 1/4 in Fuel Line	1
		067007	Spark Plug	2
		*230017	Air Filter Wrapper	1
		246115	Tune-up & Filter Kit, Kohler (ECH730)	1
		*230016	Air Filter Element	1
		*066698	Oil Filter	1
		*246117	Filter/Clamps, Fuel 1/4 in Line (Primary)	1
		*246123	Filter, Fuel W/Clamps (Secondary)	1
		*067007	Spark Plug	2
		*230017	Air Filter Wrapper	1
27		237262	Engine, Gas Elect Start Subaru (Includes)	1
		237257	Engine, Subaru Gas Elec Ohv #eh650dc2470 (Prior to MB020669H)	1
		251014	Engine, Subaru Gas Elec #eh650dc2471 (Eff w/MB020669H)	1
28		228680	Muffler, Exhaust Engine	1

Eff w/LJ440289H And Following

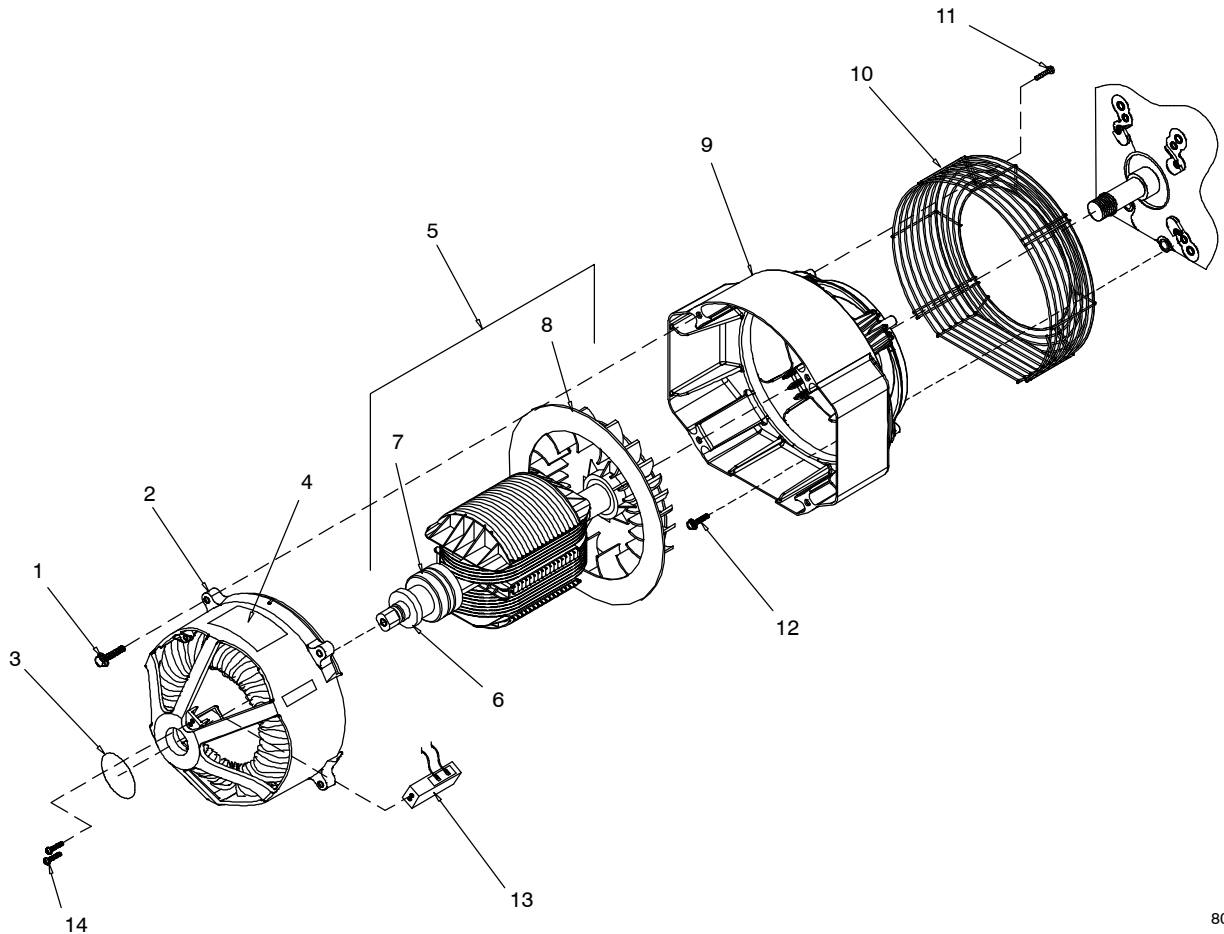
Item No.	Dia. Mkgs.	Part No.	Description	Quantity
Figure 13-1. Main Assembly (Continued)				
		217441	Muffler Gasket	2
29		165271	Valve, Oil Drain 3/8-18 Nptf	1
30		*066113	Filter, Fuel In-line .250	1
	F6	*021718	Fuse, Mintr Gl 30. Amp 32 Volt	1
	F6	*215621	Fuse, 30 Amp Ato Type	1
	TS1	206573	Solenoid	1
		*199062	Tune-up & Filter Kit, Subaru (Includes)	1
		198755	Element, Air Filter	1
		198754	Filter, Oil	1
		241408	Filter, Fuel w/Clamps & 1/4 Fuel Line	1
		198777	Spark Plug	1
31		213952	Baffle, Engine Air Assy	1
32		+211364	Panel, Rear	1
33		245133	Cable, Battery Negative (15 In)	1
34		245134	Cable, Battery Positive (25 In)	1
35		182935	Hold Down, Battery	2
36	BATT	168037	Battery, Stor 12 Volt 430 Crk 75 Rsv Gp 58 Dry	1
37		215035	Tank, Fuel 12.0 Gal w/Sender (Prior to MB020669H)	1
37		251907	Tank Assy, W/Sender & Plug 11.0 Gal (Eff w/ MB02069H thru MB020719H)	1
37		249359	Tank, Fuel 11.0 Gal W/Sender (Eff w/MB020720H)	1
		214843	Hose, Sae .250 Id X .500 Od X 10.250 Kohler	1
		161860	Hose, Sae .250 Id X .500 X 8.000 Subaru	1
38		+211356	Pan, Base	1
39		227913	Label, Warning Battery Explosion Blind (Bilingual)	1
40		227912	Label, Warning Do Not Weld On Base/Fuel Level (Bilingual)	2
41		211210	Bracket, Mtg Engine Kohler	1
41		211213	Bracket, Mtg Engine Subaru	1
42		127595	Screw, 375-16x2.50 Hex Hd-pln Gr5 Pld	2
43		010954	Washer, Flat .406idx1.250odx.125t Stl Pld	3
44		214556	Mount, Vibration	3
		167788	Nut, 375-16 .56hex .34h Stl Pld Sem Cone Wshr.88d	3
45		211358	Bracket, Mtg Generator	1
46		211355	Cover, Base	2
47	DC-Z	236021	Reactor, Stabilizer	1
48		228056	Rectifier, Si 1ph 250 Amp 400 Piv 100% Duty Cycle	1
49		Figure13-3	Front Panel Assembly	1
50	CT1	218664	Xfmr, Current Sensing	1
51		233088	Label, Danger Using A Generator Indoors Can Kill You In Minutes	1
		147551	Tool, Puller Rotor (Service Item)	1
		177126	Tool, Puller Rotor (Service Item)	1
		167640	Housing Plug Pins+Skts, (Service Kit)	1
		228122	Kit, Label	1

+When ordering a component originally displaying a precautionary label, the label should also be ordered.

◆Optional *Recommended Spare Parts.

To maintain the factory original performance of your equipment, use only Manufacturer's Suggested Replacement Parts. Model and serial number required when ordering parts from your local distributor.

Eff w/LJ440289H And Following



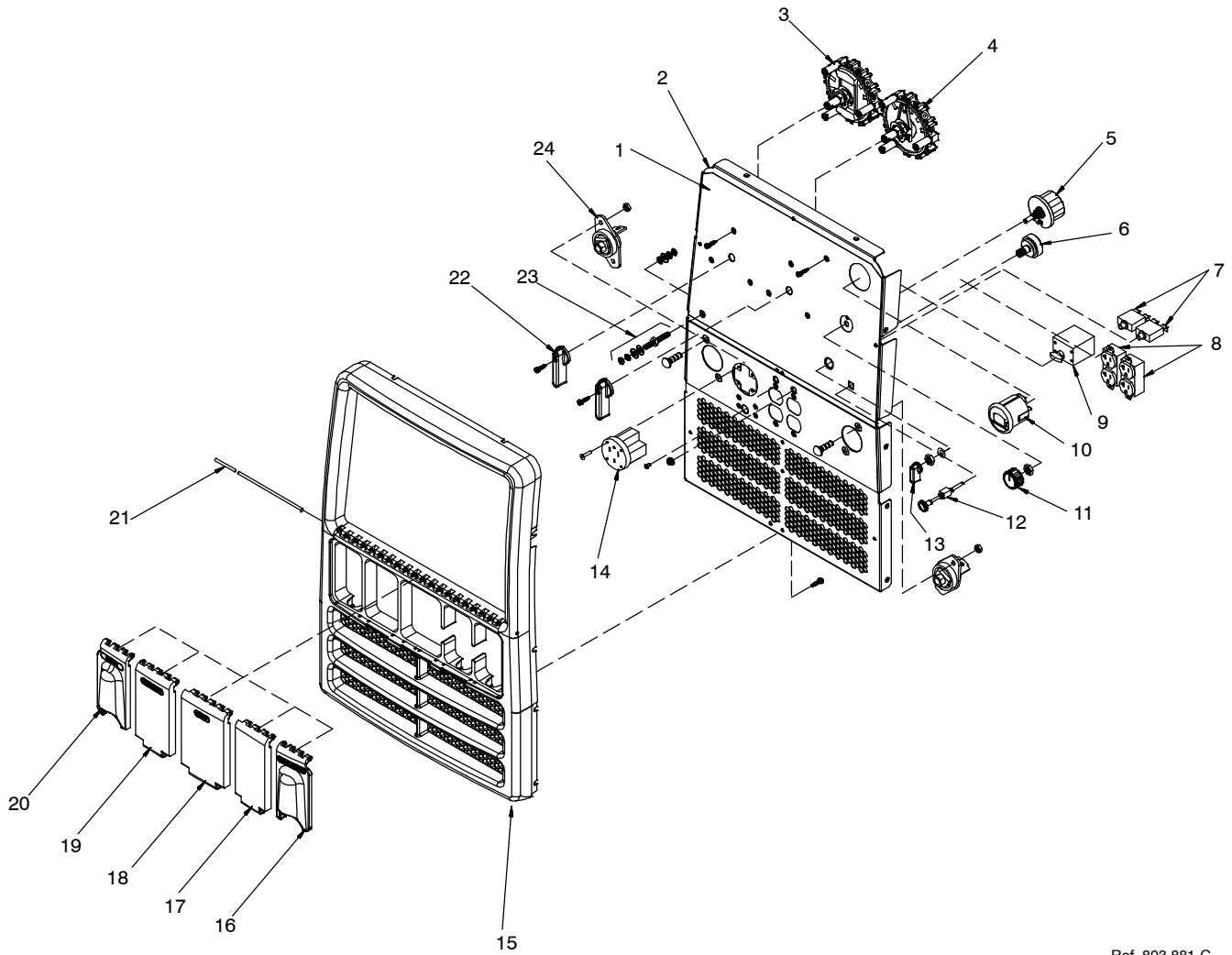
803 882

Figure 13-2. Generator

Item No.	Part No.	Description	Quantity
Figure13-2. Generator (Figure 13-1 Item 25)			
...	1	142156 .. Screw, 375-16x1.75 Hexwhd.81d Gr8 Pld	4
...	2	+239774 .. Generator Assy, Front	1
...	2	245322 .. Generator Assy, Front (Kohler EFI)	1
...	3	183419 O-Ring 1.984 Id X .139 cs 70 Duro Viton	1
...	4	227724 .. Label, Warning Moving Parts Can Cause Serious Etc (Bilingual)	1
...	5	239767 .. Rotor, Generator (Includes)	1
...	5	245312 .. Rotor, Generator (Kohler EFI)	1
...	6	181143 Bearing, Ball Rdl Sgl Row .984 X 2.047 X .591	1
...	7	181135 Ring, Collector Rotor	1
...	8	216444 Fan, Rotor Gen	1
...	9	211357 .. Housing, Generator Rear	1
...	10	213979 .. Guard, Fan	1
...	11	604224 .. Screw, 250-20x .75 Hexwhd.50d Stl Pld Slffmg Tap-rw	1
...	12	186083 .. Screw, 437-14x1.75 Hexwhd.93d Gr8 Pld	4
...	13	205725 .. Brushholder Assy, Generator	1
...	14	136343 .. Screw, K50x 20 Pan Hd-phl Stl Pld Pt Thread Forming	2

+When ordering a component originally displaying a precautionary label, the label should also be ordered.
To maintain the factory original performance of your equipment, use only Manufacturer's Suggested Replacement Parts. Model and serial number required when ordering parts from your local distributor.

Eff w/LJ440289H And Following



Ref. 803 881-C

Figure 13-3. Panel, Front w/Components

Eff w/LJ440289H And Following

Item No.	Dia. Mkgs.	Part No.	Description	Quantity
Figure 13-3. Panel, Front w/Components (Figure 13-1 Item 49)				
... 1			Nameplate (Order By Model And Serial No.)	1
... 2		228202	Panel, Front	1
... 3	S1	226747	Switch, Polarity w/Leads	1
... 4	S3	226749	Switch, Range W/Lead & Jumper	1
... 5	R1	239168	Rheostat, WW 150. W 50. Ohm Frict Term	1
... 6	S2	217680	Switch, Ignition 4 Position W/Out Handle	1
... 7	CB2, CB3	093996	Supplementary Pro, Man Reset 1p 20a 250vac Frict	2
... 8	RC2, RC3	237722	Rcpt, Str Dx Grd 2p3w 20a 125v *5-20r	2
... 8	GFCI2,GFCI3	220332	Rcpt, Str Dx Grd 2p3w 15/20a 125v *5-20r Gfi	2
... 9	CB1	233039	Supplementary Protector, Man Reset 2p 50a 240vac	1
... 10	HM	222121	Gauge,Fuel Elec/Hour Meter/Idle Module	1
... 11		207077	Knob, Pointer 1.625 Dia. Push On	1
... 12		203993	Control, Push/Pull Snap-in 36 W/1.75 Ext Kohler (Carbureted)	1
... 14		211452	Control, Push/Pull Snap-in 42 w/1.75 Ext Subaru	1
... 13		207073	Lever, Ignition Switch	1
... 14	RC1	182954	Rcpt, Str 3p4w 50a 125/250v Flush Mtg *14-50	1
... 15		217346	Bezel Assy (Includes)	1
		211416	Bezel	1
... 16		216776	Cover, Output Stud Electrode	1
... 17		213637	Cover, Output Stud	1
... 18		216773	Cover, Receptacle Duplex 120v	1
... 19		216774	Cover, Receptacle Full Kva 120/240v	1
... 20		216772	Cover, Output Stud Work	1
... 21		211405	Pin, Hinge	1
... 22		207074	Handle, Switch	2
... 23	GRD	197203	Grounding Stud Assy, Brass	1
... 24	ELECT, WORK	039046	Terminal, Pwr Output Black	2

◆Optional


To maintain the factory original performance of your equipment, use only Manufacturer's Suggested Replacement Parts. Model and serial number required when ordering parts from your local distributor.

Eff w/LJ440289H And Following

Parts List For Optional Battery Charger

Dia. Mkgs.	Part No.	Description	Quantity
.. S1	226748	.. Switch, Polarity W/Leads & Jumpers	1
.....	039047	.. Terminal, Pwr Output Red	2
.....	039046	.. Terminal, Pwr Output Black	1
.....	220002	.. Bracket, w/Components (Prior to LK020261H) (includes)	1
.....	240878	.. Bracket, w/Components (Eff w/LK020261H) (includes)	1
.....	219980	.. Bracket, Mtg Components	1
.....	165316	.. Stand-off, No 6-32 X .875 Lg .312 Hex Nyl .156 Ho	4
.....	072785	.. Screw, 006-32x .37 Hexwhd-pln Stl Pld Slffmg Tap-rw	8
.. SSR1	182088	.. Relay, Solid State 3-32vdc 25a/240vac	1
.....	129351	.. Screw, 008-32x .75 Hexwhd.34d Stl Pld Slffmg Tap-rw	2
.. CR3	044588	.. Relay, Encl 12vdc 3pdt 10a/120vac 11pin Flange Mtg	1
.. CR4	113247	.. Relay, Encl 12vdc Dpdt 20a/120vac 8pin Flange Mtg	1
.. R2	200518	.. Resistor, Ww Fxd 225 W 3.15 Ohm W/2.85 Ta (Prior to LK020261H)	1
.. R3	141424	.. Resistor, Ww Fxd 30 W 25 Ohm Faston Te	1
.....	176868	.. Screw, 010-32x .87 Hexwhd-slt Stl Pld Slftpg	2
.. PLG10	150315	.. Conn, Rect Univ 039 6p/S 3row Plug Cable Lkg	1
.. PLG9	114063	.. Conn, Rect Univ 084 4p/S 1row Plug Cable Lkg	1
.. RC6	168844	.. Conn, Rect Univ 084 4p/S 1row Rcpt Cable/Panel Lkg (Prior to LK020261H)	1
.. RC6	148389	.. Conn, Rect Univ 084 4p/S 1row Rcpt Cable/Panel Lkg (Eff w/LK020261H)	1
.. PLG11	158465	.. Conn, rect univ 084 12p/s 3row plug cable lkg	1
.....	216366	.. Bushing, snap-in nyl .500 id x .625 mtg hole	1
.....	003937	.. Term, Frict 250x032 Uninsul Comb 2m/1f Spl	4
.....	228203	.. Panel, Front	1
.....	053300	.. Screw, 250-20x .62 Hex Hd.50d Gr5 Pld Conical Washe	4
.....	005107	.. Bolt, Crg Stl .250-20 X .750 Gr5 Pld	2
.....	152461	.. Nut, 250-20 .44hex .23h Stl Pld Sem Cone Wshr.65d	4
.. PC2	209255	.. Circuit Card Assy, Battery Charger	1
.....	021385	.. Boot, Toggle Switch Lever	2
.....	227734	.. Label, Warning Battery Charging Precautions (Bilingual)	1
.....	072928	.. Manual, Battery Storage Tech Service Manu	1
.....	225898	.. Bracket, w/components/harness (Prior to LK020261H) (includes)	1
.....	240878	.. Bracket, w/components/harness (Eff w/LK020261H) (includes)	1
.. S8	236616	.. Switch, tgl sptt 15a 125vac on-on-on spd term chrom (Prior to MA370018H)	1
.. S8	128808	.. Switch, Tgl Sptt 15a 125vac On-on-on Spd Term Chrom (Eff w/MA370018H)	1
.. S9	236617	.. Switch, tgl dpst 20a 250v spd term (Prior to MA370018H)	1
.. S9	028111	.. Switch, Tgl Dpst 20a 250v Spd Term (Eff w/MA370018H)	1
.....	021385	.. Boot, Toggle Switch Lever (Eff w/MA370018H)	2

BE SURE TO PROVIDE MODEL AND SERIAL NUMBER WHEN ORDERING REPLACEMENT PARTS.

 Some wiring harness components (switches, relays, circuit breakers) are also referenced elsewhere in this parts list. Purchase components separately or as part of the associated wiring harness.

Item No.	Dia. Mkgs.	Part No.	Description	Quantity
Wiring Harnesses				
.....		239778	.. Harness, Wrg Unit (Includes)	1
.....	PLG8	177859	.. Conn, Body 5 Terminal	1
.....	RC4/PLG4	116045	.. Conn, Rect Univ 084 6p/S 3row Rcpt Cable/Pane (Service Kit)	1
.....	RC6/PLG6	136810	.. Conn, Rect Univ 084 4p/S 1row Plug Cable Lkg (Service Kit)	1
.....	PLG12	214932	.. Conn, Rect Univ 039 8p/S 2row Plug Cable Lkg Seal	1

