



TM-4419K

2010-05

Processes



Stick (SMAW) Welding



MIG (GMAW) Welding

Flux Cored (FCAW) Welding



Non-Critical TIG (GTAW) Welding

Description



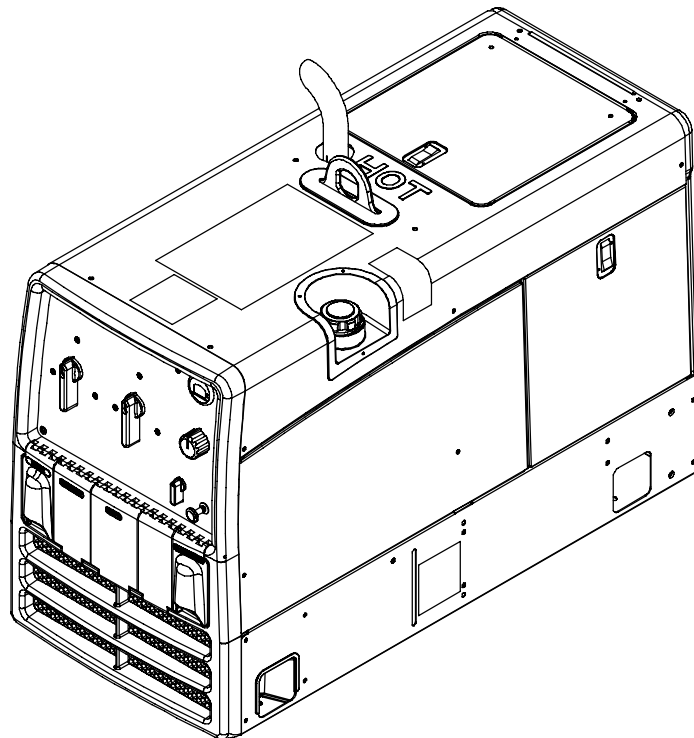
Engine Driven Welding Generator

Bobcat™ 250

PARTS LIST

Eff w/LE237205 Thru LJ440288H

For OM-4419 (211 392) Revisions A Thru P




Visit our website at

www.MillerWelds.com

File: Engine Drive



SECTION 14 – PARTS LIST FOR LE237205 THRU LJ440288H

 Hardware is common and not available unless listed.

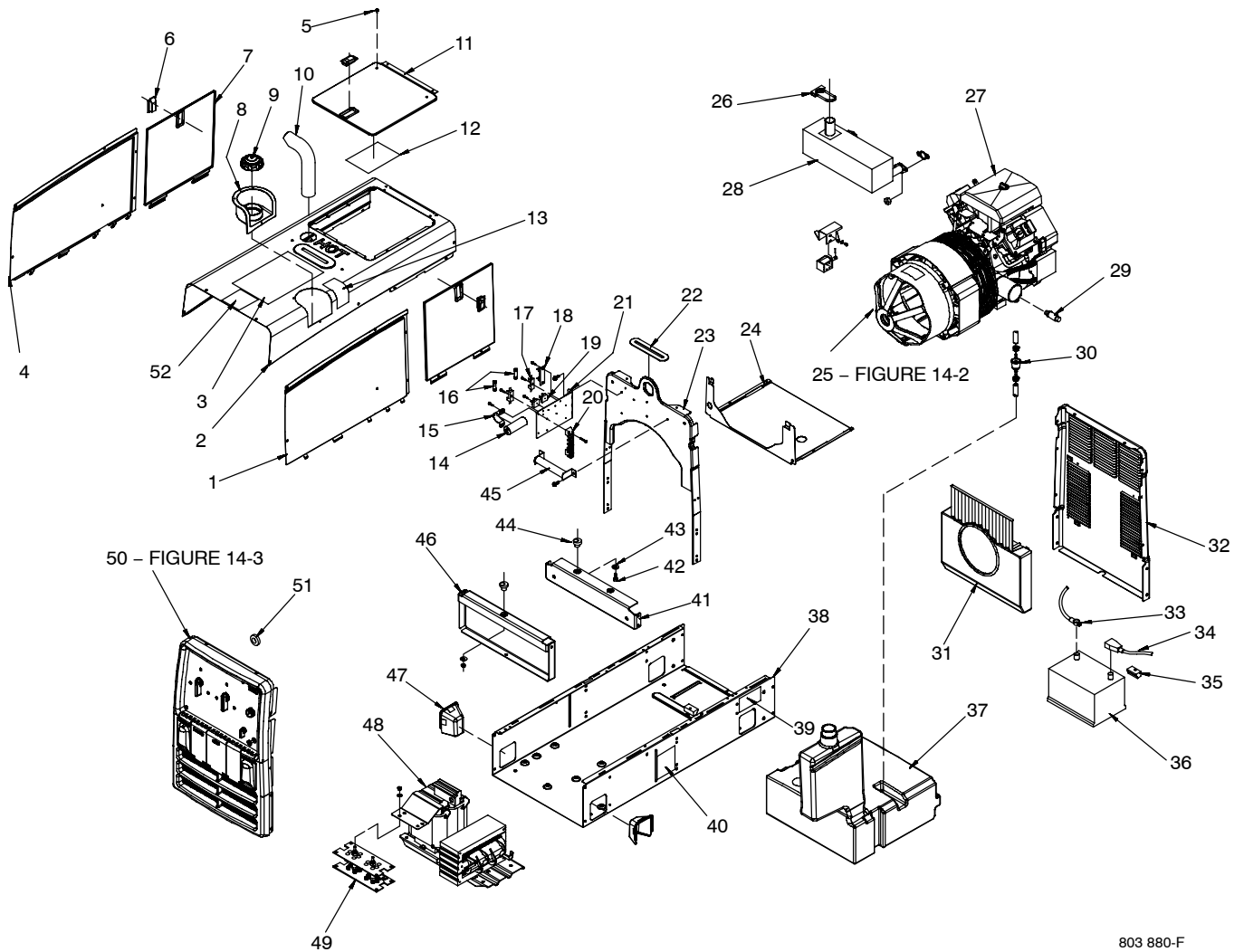


Figure 14-1. Main Assembly (Kohler Engine Shown)

803 880-F

Eff w/LE237205 Thru LJ440288H

Item No.	Dia. Mkgs.	Part No.	Description	Quantity
Figure 14-1. Main Assembly				
...	1	...	+211366 .. Panel, Side Rh	1
...	2	...	+211367 .. Cover, Top	1
...	3	...	222324 .. Label, Warning General Precautionary CSA (Prior to LG068715)	1
...	3	...	227726 .. Label, Warning General Precautionary CSA (Bilingual) (Eff w/LG068715 Thru LH080129H [Subaru/Robin]; Eff w/LG068715 Thru LH170178H [Kohler])	1
...	3	...	233614 .. Label, Warning General Precautionary (Bilingual) Sp (Eff w/LH080129H Subaru/Robin; Eff w/LH170178H Kohler)	1
...	4	...	+211365 .. Panel, Side Lh	1
...	5	...	217395 .. Bumper, Rubber Press-in	12
...	6	...	211370 .. Latch, Door (Prior to LJ012465H Subaru [Robin] / LJ070120H Kohler)	3
...	6	...	211370 .. Latch, Door (Eff w/LJ012465H Subaru [Robin] / LJ070120H Kohler)	1
...	6	...	234008 .. Latch, Door (Eff w/LJ012465H Subaru [Robin] / LJ070120H Kohler)	2
...	7	...	+238272 .. Door, Access Engine Side	2
...		...	220371 .. Seal, Rubber W/Adhesive .370 X .750 X 14.500	2
...	8	...	211398 .. Grommet, Plastic Neck Filler Fuel	1
...	9	...	147601 .. Cap, Tank Screw-on W/Vent (Prior To LF025159)	1
...	9	...	220711 .. Cap, Tank Screw-on W/Vent (Eff w/LF025159)	1
...	10	...	211527 .. Pipe, Exhaust Elbow (Prior to LJ390505H)	1
...	10	...	225759 .. Pipe, Exhaust Elbow (Eff w/LJ390505H)	1
...	11	...	+211369 .. Door Assy, Access Engine Top Std	1
...	11	...	246052 .. Door Assy, Access Engine Top EFI	1
...	12	...	215939 .. Label, Engine Maintenance Subaru/Robin & Kohler (Prior to LG021745)	1
...	12	...	228108 .. Label, Engine Maintenance Subaru/Robin & Kohler (Eff w/LG021745)	1
...	13	...	219329 .. Label, Use Gasoline Fuel Only (Prior to LG068715)	1
...	13	...	227725 .. Label, Use Gasoline Fuel Only (Bilingual) (Eff w/LG068715)	1
...	14	C1	210639 .. Capacitor, Elcflt 1500 Uf 75 Vdc Can 1.40 Dia	1
...	15	...	177136 .. Clamp, Capacitor 1.375 Dia	1
...	16	F1, F2	169296 .. Fuse, Mintr GI 25. Amp 125 Volt	2
...	17	...	172731 .. Holder, Fuse Mintr .250 X 1.250 Clip Anti-pivot	2
...	18	D4	135184 .. Diode Board	1
...	19	SR2, SR3	035704 .. Rectifier, Integ Bridge 40. Amp 800 Volt	2
...	20	1T	172661 .. Block, Stud Connection 6 Position	1
...		...	173734 .. Link, Jumper	1
...	21	...	211376 .. Bracket, Mtg Component	1
...	22	...	205734 .. Seal, Weather Lift Eye	1
...	23	...	211360 .. Upright, Base	1
...	24	...	211359 .. Cover, Tank Fuel	1
...	25	Figure14-2	Generator Assembly	1
...	26	...	209057 .. Clamp, Muffler 1.625 Dia U Pld	1
...	27	...	228835 .. Engine, Gas Elec Start Kohler (Includes)	1
...	28	...	211402 .. Muffler, Exhaust Engine (Prior to LH001537)	1
...	28	...	228681 .. Muffler, Exhaust Engine (Eff w/LH001537)	1
...		...	189477 .. Muffler Gasket	2
...	29	...	165271 .. Valve, Oil Drain 3/8-18 Nptf	1
...	30	...	*215984 .. Filter, Fuel In-line .250	1
...		F6	*021718 .. Fuse, Mintr GI 30. Amp 32 Volt	1
...		TS1	199530 .. Solenoid, Idle	1
...		...	*180096 .. Tune-up & Filter Kit, Kohler (20 HP) (Prior to LG071468) (Includes)	1
...		...	067272 .. Air Filter Element, Kohler	1
...		...	066698 .. Oil Filter, Kohler	1
...		...	215985 .. Filter, Fuel w/Clamps & 1/4 in Fuel Line	1
...		...	067007 .. Spark Plug	2
...		...	*067273 .. Air Filter Wrapper	1

Eff w/LE237205 Thru LJ440288H

Item No.	Dia. Mkgs.	Part No.	Description	Quantity
Figure 14-1. Main Assembly (Continued)				
		*230015	Tune-up & Filter Kit, Kohler (23 HP) (Eff w/LG071468) (Includes)	1
		230016	Air Filter Element, Kohler	1
		066698	Oil Filter, Kohler	1
		215985	Filter, Fuel w/Clamps & 1/4 in Fuel Line	1
		067007	Spark Plug	2
		*230017	Air Filter Wrapper	1
27		211403	Engine, Gas Elect Start Subaru/Robin (Prior to LH003873) (Includes)	1
27		218654	Engine, Gas Elect Start Subaru/Robin (Eff w/LH003873)	1
28		211404	Muffler, Exhaust Engine (Prior to LH003873)	1
28		228680	Muffler, Exhaust Engine (Eff w/LH003873)	1
		217441	Muffler Gasket	2
29		165271	Valve, Oil Drain 3/8-18 Nptf	1
30		*066113	Filter, Fuel In-line .250	1
	F6	*021718	Fuse, Mintr Gl 30. Amp 32 Volt	1
	F6	*215621	Fuse, 30 Amp Ato Type	1
	TS1	206573	Solenoid	1
		*199062	Tune-up & Filter Kit, Subaru/Robin (Includes)	1
		198755	Element, Air Filter	1
		198754	Filter, Oil	1
		241408	Filter, Fuel w/Clamps & 1/4 Fuel Line	1
		198777	Spark Plug	1
31		213952	Baffle, Engine Air Assy	1
32		+211364	Panel, Rear	1
33		217848	Cable, Bat Neg 15.000 No 4 Awg W/Clamp & .343 Rng	1
33		217847	Cable, Bat Neg 8.000 6ga W/.250 Rng & .375 Rng (Prior to LH001513)	1
34		219811	Cable, Bat Pos 25.000 No 4 Awg W/Clamp & .312 Rng	1
35		182935	Hold Down, Battery	2
36	BATT	168037	Battery, Stor 12 Volt 430 Crk 75 Rsv Gp 58 Dry	1
37		199052	Tank, Fuel 12.0 Gal (Prior to LE244170)	1
37		215035	Tank, Fuel 12.0 Gal w/Sender (Eff w/LE244170)	1
		214843	Hose, Sae .250 Id X .500 Od X 10.250 Kohler	1
		161860	Hose, Sae .250 Id X .500 X 8.000 Subaru/Robin	1
38		+211356	Pan, Base	1
39		219654	Label, Warning Battery Explosion Can Blind (Prior to LG068715)	1
39		227913	Label, Warning Battery Explosion Blind (Bilingual) (Eff w/LG068715)	1
40		217015	Label, Warning Do Not Weld On Base/Fuel Level (Prior to LG068715)	2
40		227912	Label, Warning Do Not Weld On Base/Fuel Level (Bilingual) (Eff w/LG068715)	2
41		211210	Bracket, Mtg Engine Kohler	1
41		211213	Bracket, Mtg Engine Subaru/Robin	1
42		127595	Screw, 375-16x2.50 Hex Hd-pln Gr5 Pld	2
43		010954	Washer, Flat .406idx1.250odx.125t Stl Pld	3
44		214556	Mount, Vibration	3
		167788	Nut, 375-16 .56hex .34h Stl Pld Sem Cone Wshr.88d	3
45	R2	231173	Resistor, WW Fxd 225 W 3.15 Ohm	1
46		211358	Bracket, Mtg Generator	1
47		211355	Cover, Base	2
48	DC-Z	219012	Reactor, Stabilizer (Prior to LH002808 [Subaru/Robin]; Prior to LH005657 [Kohler])	1
48	DC-Z	230408	Reactor, Stabilizer (Eff /LH002808 thru LH310509H [Subaru/Robin]; Eff w/LH005657 thru LH480235H [Kohler])	1
48	DC-Z	236021	Reactor, Stabilizer (Eff /LH310510H [Subaru/Robin]; Eff w/LH480236H [Kohler])	1
49	SR1	192682	Rectifier, Si 1 Ph, 240 Amp, 400 Piv 60% Duty Cycle (Prior to LF241287; Eff w/LG010005H thru LH003000 [Subaru/Robin] /LH008471 [Kohler])	1
49	SR1	220782	Rectifier, Si 1 Ph, 400 Amp, 400 Piv 60% Duty Cycle (Eff w/LF241287 thru LG010005H)	1
49	SR1	228056	Rectifier, Si 1ph 250 Amp 400 Piv 100% Duty Cycle (Eff w/LH003000 [Subaru/Robin] Eff w/LH008471 [Kohler])	1

Eff w/LE237205 Thru LJ440288H

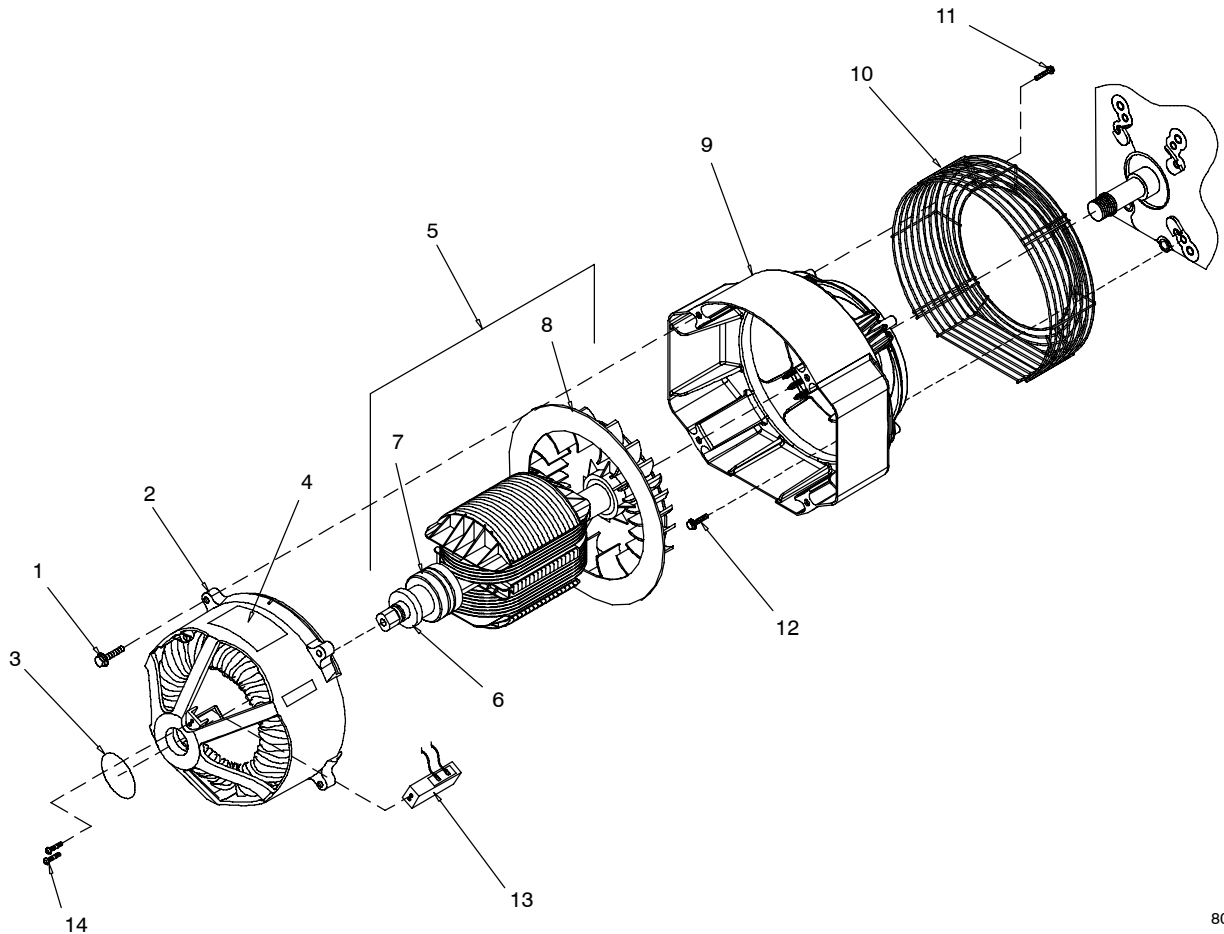
Item No.	Dia. Mkgs.	Part No.	Description	Quantity
Figure 14-1. Main Assembly (Continued)				
... 50	Figure14-3	.. Front Panel Assembly	1
... 51	CT1	.. Xfmr, Current Sensing	1
... 52	233088	.. Label, Danger Using A Generator Indoors Can Kill You In Minutes (Eff w/LH080129H Subaru/Robin; Eff w/LH170178H Kohler)	1
.....	147551	.. Tool, Puller Rotor (Service Item)	1
.....	177126	.. Tool, Puller Rotor (Service Item)	1
.....	167640	.. Housing Plug Pins+Skts, (Service Kit)	1
.....	219008	.. Kit, Label Subaru/Robin/Kohler (Prior to LG068715)	1
.....	228122	.. Kit, Label (Eff w/LG068715)	1
.....	217067	.. Stiffener, Rear Panel (Prior to LG094772 [Subaru/Robin]; Prior to LG097627 [Kohler])	1

+When ordering a component originally displaying a precautionary label, the label should also be ordered.

◆Optional *Recommended Spare Parts.

To maintain the factory original performance of your equipment, use only Manufacturer's Suggested Replacement Parts. Model and serial number required when ordering parts from your local distributor.

Eff w/LE237205 Thru LJ440288H



803 882

Figure 14-2. Generator

Item No.	Part No.	Description	Quantity
Figure14-2. Generator (Figure 14-1 Item 25)			
...	1	142156 .. Screw, 375-16x1.75 Hexwhd.81d Gr8 Pld	4
...	2	+219010 .. Generator Assy, Front (Prior to LF241287)	1
...	2	+224768 .. Generator Assy, Front (Eff w/LF241287 thru LH310509 [Subaru/Robin]; Eff w/LF241287 thru LH480235 [Kohler])	1
...	2	+236009 .. Generator Assy, Front (Eff w/LH310510H [Suaru/Robin]; Eff w/LH480236 [Kohler])	1
...	2	245322 .. Generator Assy, Front (Kohler EFl)	1
...	3	183419 O-Ring 1.984 Id X .139 cs 70 Duro Viton	1
...	4	013367 .. Label, Warning Moving Parts Can Cause Serious (Prior to LG068715)	1
...	4	227724 .. Label, Warning Moving Parts Can Cause Serious Etc (Bilingual) (Eff w/LG068715)	1
...	4	233614 .. Label, General Precautionary	1
...	5	217681 .. Rotor, Generator (Prior to LH310509H [Subaru/Robin]; Prior to LH480235H [Kohler] (Includes)	1
...	5	218643 .. Rotor, Generator (Eff w/LH310510 [Subaru/Robin]; Eff w/LH480236H [Kohler])	1
...	6	181143 Bearing, Ball Rdl Sgl Row .984 X 2.047 X .591	1
...	7	181135 Ring, Collector Rotor	1
...	8	216444 Fan, Rotor Gen	1
...	9	211357 .. Housing, Generator Rear	1
...	10	213979 .. Guard, Fan	1

Eff w/LE237205 Thru LJ440288H

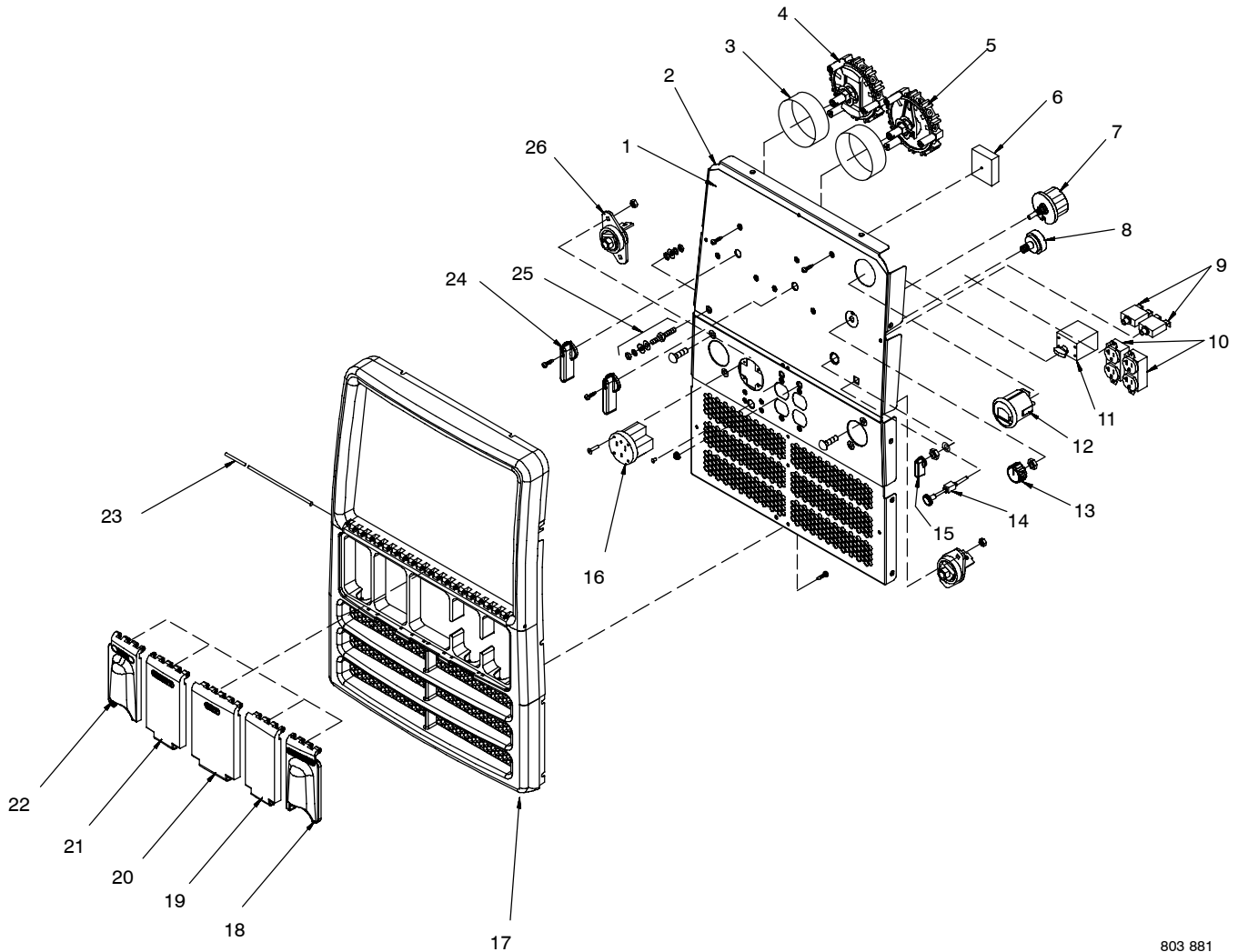
Item No.	Part No.	Description	Quantity
----------	----------	-------------	----------

Figure 14-2. Generator (Continued)

... 11	602224	Screw, 250-20x .75 Hexwhd.50d Stl Pld Slffmg Tap-rw	4
... 12	186083	Screw, 437-14x1.75 Hexwhd.93d Gr8 Pld	4
... 13	205725	Brushholder Assy, Generator	1
... 14	136343	Screw, K50x 20 Pan Hd-phl Stl Pld Pt Thread Forming	2

+When ordering a component originally displaying a precautionary label, the label should also be ordered.

To maintain the factory original performance of your equipment, use only Manufacturer's Suggested Replacement Parts. Model and serial number required when ordering parts from your local distributor.



803 881

Figure 14-3. Panel, Front w/Components

Item No.	Dia. Mkgs.	Part No.	Description	Quantity
----------	------------	----------	-------------	----------

Figure 14-3. Panel, Front w/Components (Figure 14-1 Item 50)

... 1			Nameplate (Order By Model And Serial No.)	1
... 2		211361	Panel, Front (All Models Prior To LE244170)	1
... 2		211361	Panel, Front (LP Models Prior To LF114719)	1
... 2		221557	Panel, Front (Gas Models Eff w/LE244170 thru LG049051 [Subaru/Robin]/LG056228 [Kohler], LP Models Eff w/LF114719 thru LG049051 [Subaru/Robin]; Eff w/LG056228 [Kohler])	1
... 2		228202	Panel, Front (Eff w/LG049052 [Subaru/Robin]/LG056229 [Kohler])	1

Eff w/LE237205 Thru LJ440288H

Item No.	Dia. Mkgs.	Part No.	Description	Quantity
Figure 14-3. Panel, Front w/Components (Continued)				
... 3		186058	Cover, Dust (Prior to LG094772 [Subaru/Robin]/LG099917 [Kohler])	2
... 4	S1	219530	Switch, Polarity 5 Position W/Leads & Jumpers (Prior to LF241287)	1
... 4	S1	222520	Switch, Polarity 5 Position W/Leads & Jumpers (Eff w/LF241287 thru LG094771 [Subaru/Robin]/LG099916 [Kohler])	1
... 4	S1	226747	Switch, Polarity w/Leads (Eff w/LG094772 [Subaru/Robin]; Eff w/LG099917 [Kohler])	1
... 5	S3	219757	Switch, Range 6 Position (Prior to LG094772 [Subaru/Robin]; Prior to LG099917 [Kohler])	1
... 5	S3	226749	Switch, Range w/Leads (Eff w/LG094772 [Subaru/Robin]; Eff w/LG099917 [Kohler])	1
... 6	PC1	201936	Module, Pull To Idle 5 Pin (Prior to LF313408 [Subaru/Robin]; Prior to LF324811 [Kohler])	1
... 7	R1	207177	Rheostat, WW 150. W 14. Ohm Frict Term (Prior to LH150387H)	1
... 7	R1	233060	Rheostat, WW 150. W 14. Ohm Frict Term (Eff w/LH150387H [Subaru/Robin]; Eff w/LH150387H [Kohler])	1
... 8	S2	217680	Switch, Ignition 4 Position W/Out Handle	1
... 9	CB2, CB3	093996	Supplementary Pro, Man Reset 1p 20a 250vac Frict	2
... 10	RC2, RC3	141432	Rcpt, Str Dx Grd 2p3w 20a 125v *5-20r	2
... 10	GFCI2, GFCI3	220332	Rcpt, Str Dx Grd 2p3w 15/20a 125v *5-20r Gfi	2
... 11	CB1	218591	Supplementary Protector, Man Reset 2p 50a 240vac	1
... 12	HM	145247	Meter, Hour 12-24vdc 1.25 X 2.12 Rect (All Models Prior To LE244170)	1
... 12	HM	223164	Meter, Hour 12-60vdc 2 Dia. (LP Models Eff w/LF114719 thru LG026149)	1
... 12	HM	227598	Gauge, Hour Meter/Idle Module (LP Models Eff w/LG026150)	1
... 12	HM	221545	Gauge, Fuel Elec/Hour Meter (Gas Models Eff w/LE244170 thru LF313407 [Subaru/Robin]/LF324810 [Kohler])	1
... 12	HM	222121	Gauge, Fuel Elec/Hour Meter/Idle Module (Gas Models Eff w/LF313408 [Subaru/Robin]/LF324811 [Kohler])	1
... 13		207077	Knob, Pointer 1.625 Dia. Push On	1
... 14		217887	Control, Push/Pull Snap-in 45 W/1.75 Ext Kohler (Prior to LE478398)	1
... 14		203993	Control, Push/Pull Snap-in 36 W/1.75 Ext Kohler (Eff w/LE478398)	1
... 14		217888	Control, Push/Pull Snap-in 48 w/1.75 Ext Subaru/Robin (Prior to LF190009)	1
... 14		211452	Control, Push/Pull Snap-in 42 w/1.75 Ext Subaru/Robin (Eff w/LF190009)	1
... 15		207073	Lever, Ignition Switch	1
... 16	RC1	182954	Rcpt, Str 3p4w 50a 125/250v Flush Mtg *14-50	1
... 17		217346	Bezel Assy (Includes)	1
... 18		216776	Cover, Output Stud Electrode	1
... 19		213637	Cover, Output Stud	1
... 20		216773	Cover, Receptacle Duplex 120v	1
... 21		216774	Cover, Receptacle Full Kva 120/240v	1
... 22		216772	Cover, Output Stud Work	1
... 23		211405	Pin, Hinge	1
... 24		207074	Handle, Switch	2
... 25	GRD	197203	Grounding Stud Assy, Brass	1
... 26	ELECT, WORK	099255	Terminal, Pwr Output Neutral	2

◆ Optional

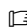
To maintain the factory original performance of your equipment, use only Manufacturer's Suggested Replacement Parts. Model and serial number required when ordering parts from your local distributor.

Eff w/LE237205 Thru LJ440288H

Parts List For Optional Battery Charger

Dia. Mkgs.	Part No.	Description	Quantity
... S1	220394	.. Switch, Mode (Prior to LG071369)	1
... S1	226748	.. Switch, Polarity W/Leads & Jumpers (Eff w/LG071369)	1
.....	039047	.. Terminal, Pwr Output Red	2
.....	039046	.. Terminal, Pwr Output Black	1
.....	220002	.. Bracket, w/Components (includes)	1
.....	219980	.. Bracket, Mtg Components	1
.....	165316	.. Stand-off, No 6-32 X .875 Lg .312 Hex Nyl .156 Ho	4
.....	072785	.. Screw, 006-32x .37 Hexwhd-pln Stl Pld Slffmg Tap-rw	8
.. SSR1	182088	.. Relay, Solid State 3-32vdc 25a/240vac	1
.....	129351	.. Screw, 008-32x .75 Hexwhd.34d Stl Pld Slffmg Tap-rw	2
.. CR3	044588	.. Relay, Encl 12vdc 3pdt 10a/120vac 11pin Flange Mtg	1
.. CR4	113247	.. Relay, Encl 12vdc Dpdt 20a/120vac 8pin Flange Mtg	1
.. R2	200518	.. Resistor, Ww Fxd 225 W 3.15 Ohm W/2.85 Ta	1
.. R3	141424	.. Resistor, Ww Fxd 30 W 25 Ohm Faston Te	1
.....	176868	.. Screw, 010-32x .87 Hexwhd-slt Stl Pld Slftpg	2
.. PLG10	150315	.. Conn, Rect Univ 039 6p/S 3row Plug Cable Lkg	1
.. PLG9	114063	.. Conn, Rect Univ 084 4p/S 1row Plug Cable Lkg	1
.. RC6	168844	.. Conn, Rect Univ 084 4p/S 1row Rcpt Cable/Panel Lkg	1
.. PLG11	158465	.. Conn, rect univ 084 12p/s 3row plug cable lkg	1
.....	216366	.. Bushing, snap-in nyl .500 id x .625 mtg hole	1
.....	003937	.. Term, Frict 250x032 Uninsul Comb 2m/1f Spl	4
.....	228203	.. Panel, Front	1
.....	053300	.. Screw, 250-20x .62 Hex Hd.50d Gr5 Pld Conical Washe	4
.....	005107	.. Bolt, Crg Stl .250-20 X .750 Gr5 Pld	2
.....	152461	.. Nut, 250-20 .44hex .23h Stl Pld Sem Cone Wshr.65d	4
.. PC2	209255	.. Circuit Card Assy, Battery Charger	1
.....	021385	.. Boot, Toggle Switch Lever	2
.....	227734	.. Label, Warning Battery Charging Precautions (Bilingual)	1
.....	072928	.. Manual, Battery Storage Tech Service Manu	1
.....	225898	.. Bracket, w/components/harness (includes)	1
.. S8	236616	.. Switch, tgl sptt 15a 125vac on-on-on spd term chrom	1
.. S9	236617	.. Switch, tgl dpst 20a 250v spd term	1

BE SURE TO PROVIDE MODEL AND SERIAL NUMBER WHEN ORDERING REPLACEMENT PARTS.

 Some wiring harness components (switches, relays, circuit breakers) are also referenced elsewhere in this parts list. Purchase components separately or as part of the associated wiring harness.

Item No.	Dia. Mkgs.	Part No.	Description	Quantity
-------------	---------------	-------------	-------------	----------

Wiring Harnesses

.....	219016	.. Harness, Wrg Unit (Includes) (Prior to LG021745 Subaru/Robin Engine or LG034696 Kohler Engine)	1
.....	222124	.. Harness, Wrg Unit (Includes) (Eff w/ LG021745 Subaru/Robin Engine or LG034696 Kohler Engine)	1
.....	PLG8	.. 177859 .. Conn, Body 5 Terminal	1
.....	RC4/PLG4	.. 116045 .. Conn, Rect Univ 084 6p/S 3row Rcpt Cable/Pane (Service Kit)	1
.....	RC6/PLG6	.. 136810 .. Conn, Rect Univ 084 4p/S 1row Plug Cable Lkg (Service Kit)	1
.....	PLG12	.. 214932 .. Conn, Rect Univ 039 8p/S 2row Plug Cable Lkg Seal (Eff w/ LG021745 Subaru/Robin Engine or LG034696 Kohler Engine)	1