



TM-281496D

2019-09

Processes



Stick (SMAW) Welding



TIG (GTAW) Welding



MIG (GMAW) Welding



Flux Cored (FCAW) Welding



Air Carbon Arc (CAC-A)
Cutting and Gouging

Description



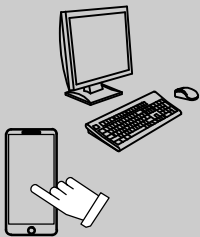
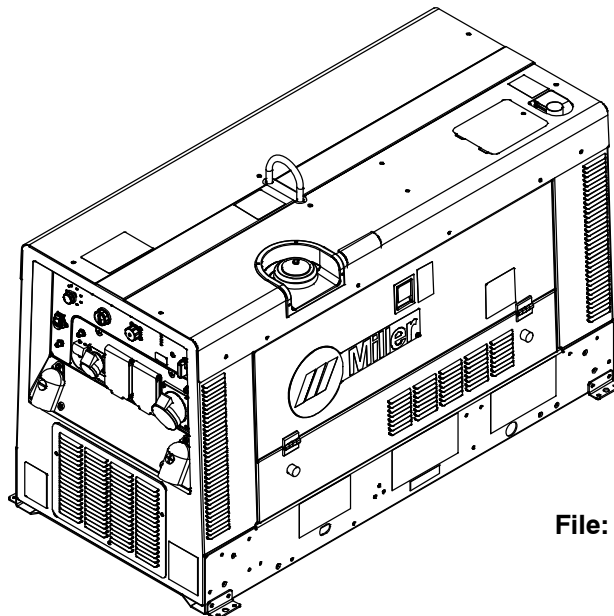
Engine Driven Welder/Generator

Big Blue[®] 400 X Pro

CAT, Kubota
CE And Non-CE

PARTS LIST

Eff w/Serial No. MJ070650R And Following



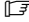
For product information,
Owner's Manual translations,
and more, visit

www.MillerWelds.com

File: Engine Drive



SECTION 13 – PARTS LIST

 Hardware is common and not available unless listed.

Wiring harnesses are listed at the end of parts section.

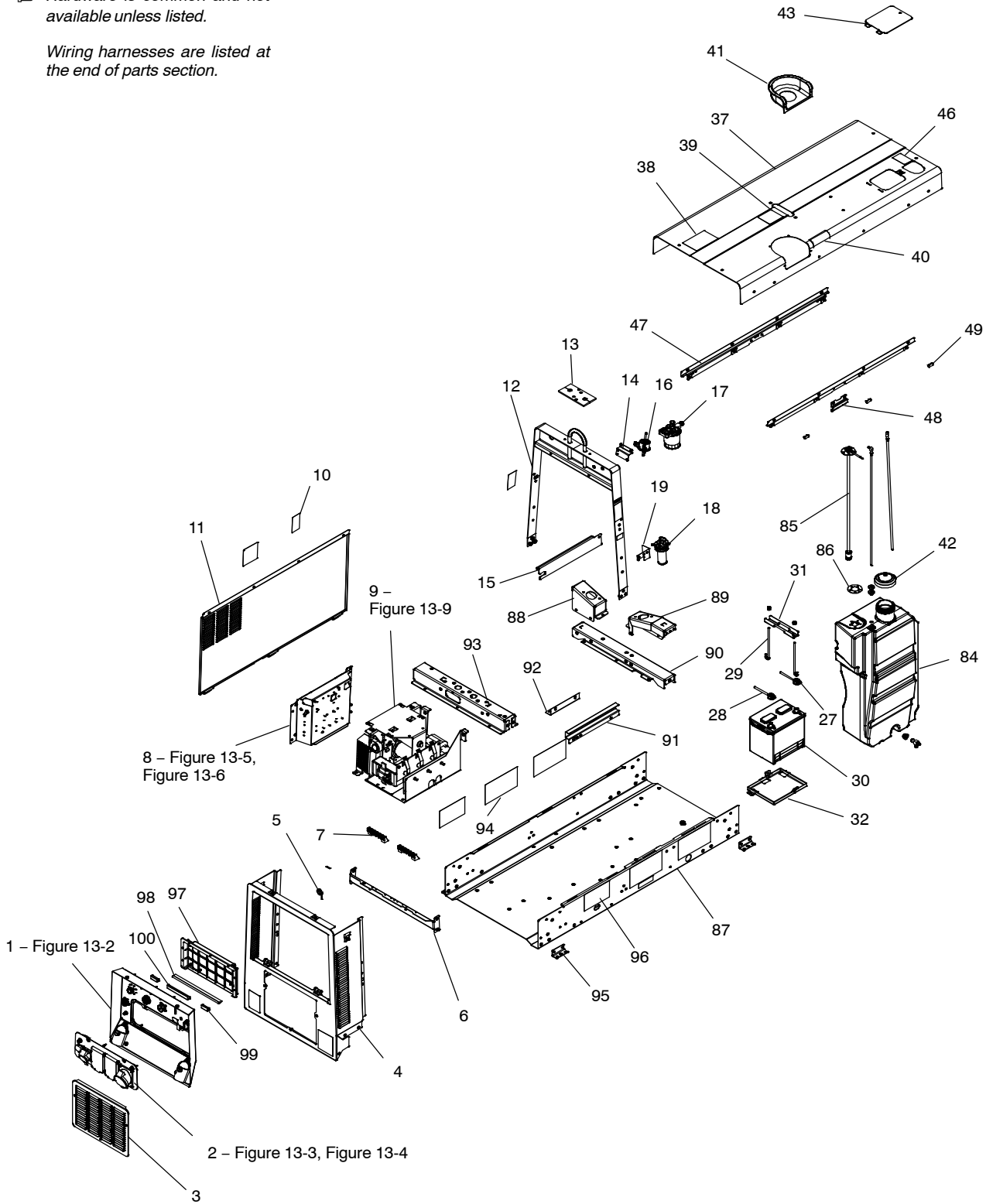
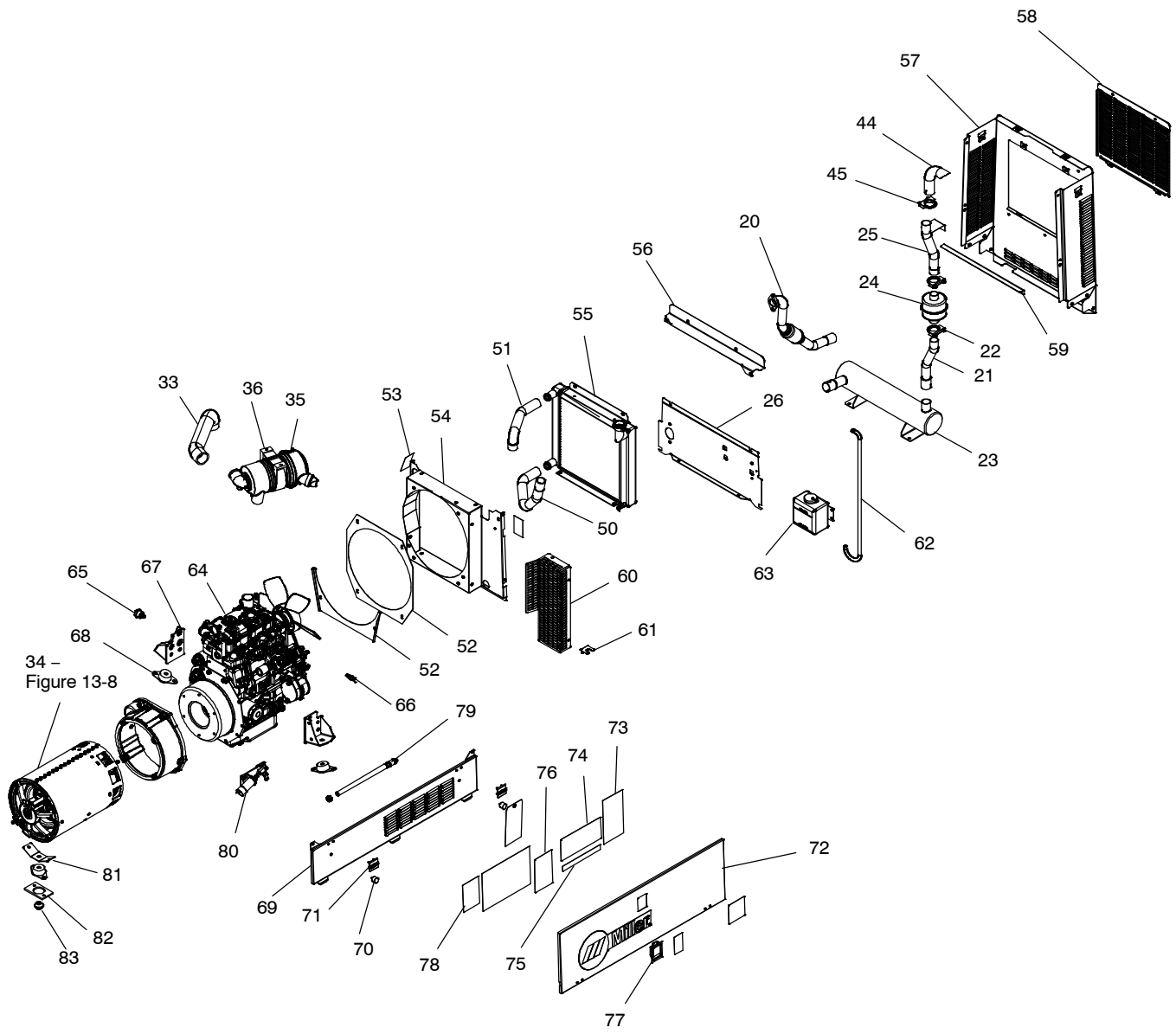


Figure 13-1. Main Assembly

Eff w/Serial No. MJ070650R And Following



Ref. 907758

Eff w/Serial No. MJ070650R And Following

Item No.	Dia. Mkgs.	Part No.	Description	Quantity
Figure 13-1. Main Assembly				
...	1	Figure 13-2	Front Panel Assembly	1
...	2	Figure 13-3, Figure 13-4	Auxiliary Power Panel	1
...	3	220955	Panel, Front Access	1
...	4	+226104	Upright, Front	1
...	5	105370	Xfmr, Current	1
...	6	213500	Brkt, Beam Support	1
...	7	TE1, TE2 .. 172661	Block, Stud Connection 6 Position	2
...	8	173734	Link, Jumper	3
...	9	Figure 13-5, Figure 13-6	Control Panel Assembly	1
...	10	Figure 13-9	Weld Control Assembly	1
...	11	272334	Label, Warning Moving Parts (En/Fr-Sym)	4
...	12	+243709	Panel, Engine Side	1
...	13	+259211	Upright, Center Assy	1
...	14	189464	Seal, Weather Lift Eye	1
...	15	213501	Bracket, Fuel Pump/Filter	1
...	16	254900	Bracket, Mtg Fuel Filter C1.5T	1
...	17	214753	Bracket, Holddown Fuel Tank	1
...	18	207721	Pump, Fuel Electric 12VDC 1.5A 400CC/Min 5 Psi	1
...	19	*273865	Filter, Fuel In-line 5/16x5/16 Mic 25 (CAT)	1
...	20	*217687	Filter, Fuel Spin-on (CAT)	1
...	21	*202167	Filter, Fuel Spin-on (CAT Turbo)	1
...	22	*207715	Filter, Fuel Secondary Spin-On (Kubota)	1
...	23	*233482	Kit, Fuel Sedimenter (Kubota)	1
...	24	234714	Bracket, Sedimenter (Kubota)	1
...	25	229061	Pipe, Exhaust Flexible (CAT)	1
...	26	254899	Pipe, Exhaust Flexible Inlet (CAT Turbo)	1
...	27	212620	Pipe, Exhaust Flexible Inlet (Kubota)	1
...	28	213602	Gasket, Exhaust Outlet	1
...	29	244507	Pipe, Exhaust	1
...	30	209057	Clamp, Muffler	2
...	31	284717	Clamp, Muffler 1.625 Dia U Pld W/Srrtd Nuts/Notstak (CAT Turbo)	2
...	32	226018	Muffler, Exhaust Engine	1
...	33	256251	Mount, Vibration (CAT Turbo)	1
...	34	088528	Spark Arrestor, Exhaust	1
...	35	244508	Pipe, Exhaust Spark Arrestor	1
...	36	212604	Baffle, Air Lower Radiator	1
...	37	190207	Cable, Bat Pos 45 In Lg No 1 Awg W/Clamp & .406 Rng	1
...	38	190206	Cable, Bat Neg 42 In Lg 2 Awg W/Clamp & .375 Rng	1
...	39	213465	Bolt, J Stl .312-18 X 7.250 Pld	2
...	40	BATT	Battery, Stor 12v 570 Crk 100 Rsv Gp 35 M.F.	1
...	41	261792	Bracket, Battery Holddown	1
...	42	261784	Bracket, Battery Locator	1
...	43	212617	Hose, Air Intake Cat 3013	1
...	44	254902	Hose, Air Intake (CAT Turbo)	1
...	45	212618	Hose, Air Intake Kubota V1505	1
...	46	Figure 13-8	Generator Assembly	1
...	47	249657	Air Cleaner, Intake 5.250 In (Includes)	1
...	48	249661	Dust Ejector, Air Cleaner	1
...	49	*197676	Element, Air Cleaner	1
...	50	◆*197679	Element, Air Cleaner Safety	1
...	51	249659	Cover Assy, Air Cleaner	1
...	52	249658	Body, Air Cleaner	1
...	53	249664	Latch, Air Cleaner	1
...	54	197829	Bracket, Mtg Air Cleaner	1

Eff w/Serial No. MJ070650R And Following

Item No.	Dia. Mkgs.	Part No.	Description	Quantity
Figure 13-1. Main Assembly (Continued)				
37		+249656	Cover, Top	1
38		272340	Label, Danger Using Generator Indoor (En/Fr/Sp-Sym)	1
39		272339	Label, Warning Falling Equipment (En/Fr-Sym)	1
40		227728	Label, Warning Use Diesel Fuel Only (Trilingual)	1
41		189052	Grommet, Plastic Neck Filler Fuel	1
42		254678	Cap, Tank Screw-on 3.500 In W/Vent W/Lanyard 8"	1
43		201851	Cover, Radiator Access	1
44		214604	Pipe, Exhaust Elbow	1
45		209057	Clamp, Muffler	1
46		272333	Label, Warning Hot Parts (En/Fr-Sym)	1
47		213471	Bracket, Cover Top	2
48		213472	Keeper, Latch Engine Access	1
49		191626	Bumper, Door Access Engine	3
50		212614	Hose, Radiator Lower Cat	1
50		212616	Hose, Radiator Lower Kubota V1505	1
51		212613	Hose, Radiator Upper Cat	1
51		212615	Hose, Radiator Upper Kubota V1505	1
52		217387	Baffle, Fan (CAT)	1
52		212624	Shroud, Adapter Fan Kubota	1
53		272334	Label, Warning Moving Parts (En/Fr-Sym)	2
54		+212607	Shroud, Radiator	1
54		+256613	Shroud, Radiator (CAT Turbo)	1
		191307	Cover, Blank (CAT Turbo)	1
55		244812	Radiator, W/14# Cap 1 Row Core 1.25 In Inlet/Outlet (Includes)	1
55		243698	Radiator, W/14# Cap 1 Row Core 1.25 In Inlet/Outlet (CAT Turbo)(Includes)	1
56		212603	Baffle, Air Upper Radiator	1
56		254901	Baffle, Air Upper Radiator (CAT Turbo)	1
57		+243710	Upright, Rear	1
58		243711	Cover, Radiator Access	1
59		220295	Bracket, Stiffener	1
60		213502	Guard, Fan	1
60		259754	Guard, Fan (CAT Turbo)	1
61		222652	Bracket, Mtg Hose	1
62		254806	Hose Assy, W/Clamp (Coolant)	1
63		190190	Tank, Coolant Recovery	1
63		286206	Assy, Tank, Coolant Recovery (CAT Turbo)	1
64		237008	Engine, Cat Dsl Elec C1.5	1
65		204136	Heater, Block Engine 120V 1000W (Cat)	1
		*202166	Filter, Oil Cat-220-1523 (Cat)	1
		217695	Switch, Coolant Temp N. C. 110C (Cat)	1
		217696	Switch, Lubricating Oil Pressure N.O. (Cat)	1
		*217686	Belt, Alternator (Cat)	1
64		284097	Engine, Cat Dsl Elec C1.5 Turbo (T4f)	1
65		204136	Heater, Block Engine 120V 1000W (Cat)	1
		270268	Actuator, Linear	1
		263234	Shield, Breather	1
		284803	Tubing, Air Line 21.500 Lg (Blue)	1
		229814	Ftg, Elbow Swivel 1/4tube Push-On X 1/8 Npt (M) Swi	1
		249550	Bracket, Mounting Air Intake	1
64		263133	Engine, Kubota Dsl Elec 1505 (T4f)	1
65		200653	Heater, Block Engine 120V 400w Kubota 905	1
		*196428	Filter, Oil (Kubota)	1
		213244	Switch, Coolant Temp N.c. 110c (Kubota)	1
66		221485	Switch, Pressure Oil 4psi No 1/8-28 Bspt (Kubota)	1
		*218468	Belt, Alternator (Kubota)	1
67		213480	Bracket, Mtg Engine	2

Eff w/Serial No. MJ070650R And Following

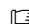
Item No.	Dia. Mkgs.	Part No.	Description	Quantity
Figure 13-1. Main Assembly (Continued)				
68		213266	Mount, Engine/Generator Flange Mtg (CAT Turbo Qty 2)	3
		282766	Mount, Engine 50 Duro Flange Mtg (White Dot) (CAT Turbo)	2
69		243708	Panel, Rocker	1
70		254634	Bumper	2
71		189975	Hinge, Door Access 180 Deg	2
72		+213487	Door, Engine Access	1
73		278439	Label, Fuel/Hour/Engine Shutdown	1
74		237382	Label, Diesel Engine Maintenance Cat C1.5	1
74		287061	Label, Diesel Engine Maintenance Kubota	1
75		227731	Label, Notice Do Not Use Ether (Tri-lingual)	1
76		272341	Label, Warning Battery Explosion (En/Fr-Sym)	1
77		245362	Latch, Paddle Series 20 (Black)	1
78		278415	Label, Help Codes	1
79		199505	Hose Assy, Oil Drain 32.000 Lg (Includes)	1
		269052	Hose, Nitrile .500 Id X .765 Od X Roll Blk Brd	2.6 Ft
		176529	Ftg, Hose Brs Barbed Fem 1/2 Tbg X 3/8 Npt	1
		165271	Valve, Oil Drain 3/8-18 Nptf	1
80		235023	Idle Solenoid Assembly (CAT)	1
80		264327	Idle Solenoid Assembly (Kubota)	1
81		213461	Bracket, Mtg Generator	1
		286278	Bracket, Generator (CAT Turbo)	2
82		213462	Pad, Mtg Generator (CAT Turbo Qty 2)	1
83		213463	Spacer/Stubber, Generator Mtg	1
84		262722	Tank, Fuel (Includes Fuel Cap And Items Below)	1
		189908	Valve, Drain Fuel 180 Deg Zinc Pld	1
		181572	Bushing, Tank Fuel	1
		124253	Bushing, Tank Fuel	1
85	SENDER	264195	Sender, Fuel Gauge	1
		212611	Hose, Fuel Stand Pipe W/3/16 In Ftg (Return)	1
		212610	Hose, Fuel Stand Pipe W/5/16 In Ftg (Supply)	1
86		228054	Gasket, Fuel Sender/Fuel Tank	1
87		213458	Base	1
88		213485	Support, Engine Lh	1
89		213483	Support, Engine Rh (CAT)	1
89		213484	Support, Engine Rh (Kubota)	1
90		213459	Crossmember, Engine	1
91		213506	Bracket, Hold-Down Fuel Tank	1
92		192303	Angle, Mtg Stabilizer	1
93		213460	Crossmember, Generator	1
93		286279	Crossmember, Generator (CAT Turbo)	1
94		272343	Label, Warning General Precautionary (En/Fr-Sym)	2
95		213668	Bracket, Mtg Unit	4
96		272342	Label, Warning Do Not Weld On Base (En/Fr-Sym)	2
97		275812	Cover, Control Board	1
98		277522	Seal, Enclosure Opening Bulb D 12.875	1
99		277519	Seal, Enclosure Opening D 1.625	2
100		277520	Seal, Enclosure Opening D 5.750	1
		282178	Label, Warning Breathing Diesel Engine Exhaust	1
		*276418	USB Flash Drive	1
		*274427	Kit, Filter Cat (C1.5)	1
		*253901	Kit, Filter Kubota	1
		*283576	Kit, Label (CAT)	1
		*283577	Kit, Label (Kubota)	1

◆ **OPTIONAL**

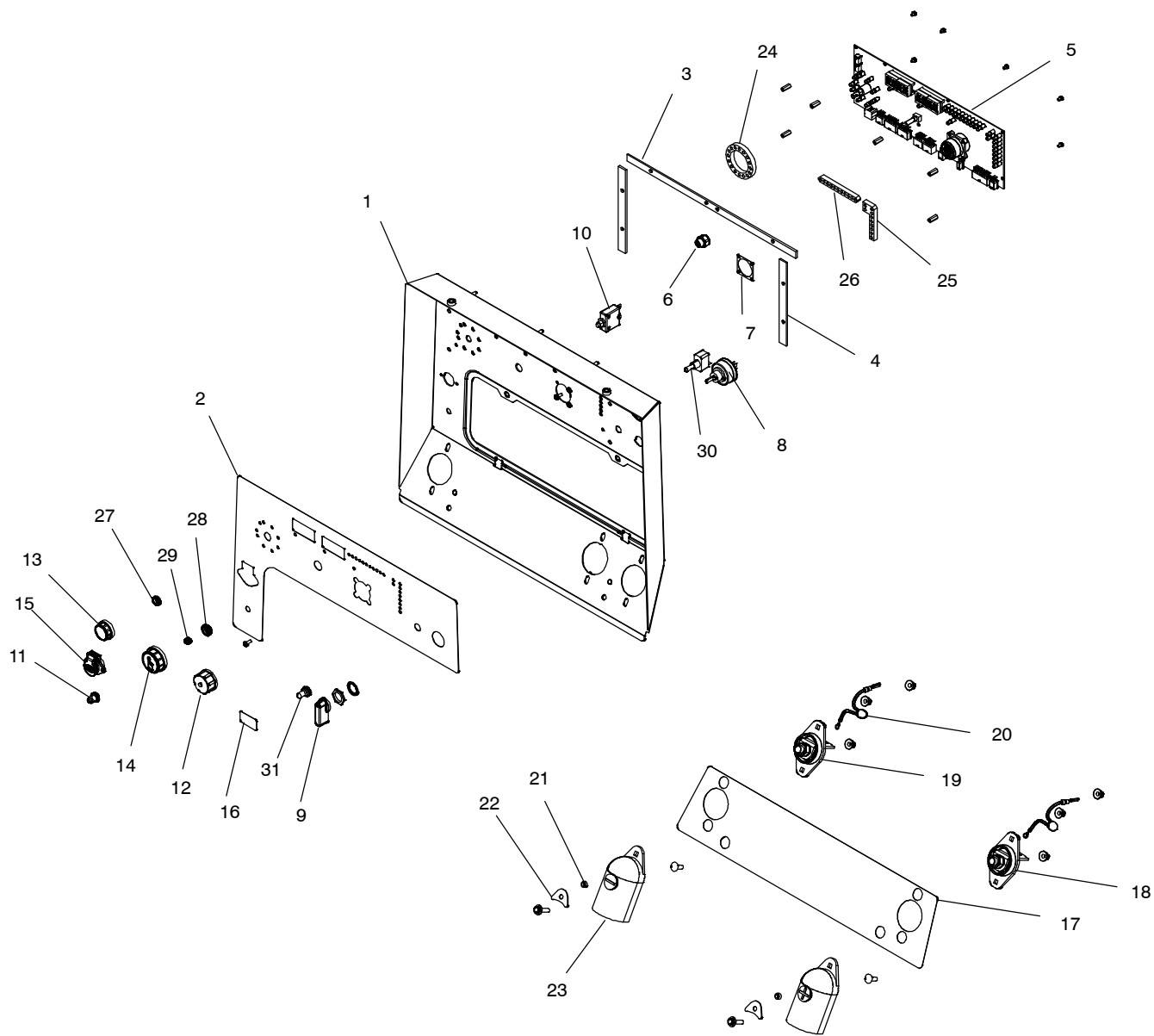
- + When ordering a component originally displaying a precautionary label, the label should also be ordered.
- * Recommended Spare Parts.

To maintain the factory original performance of your equipment, use only Manufacturer's Suggested Replacement Parts. Model and serial number required when ordering parts from your local distributor.

Eff w/Serial No. MJ070650R And Following

 Hardware is common and not available unless listed.

Wiring harnesses are listed at the end of parts section.



277047

Figure 13-2. Panel, Front w/Components

Eff w/Serial No. MJ070650R And Following

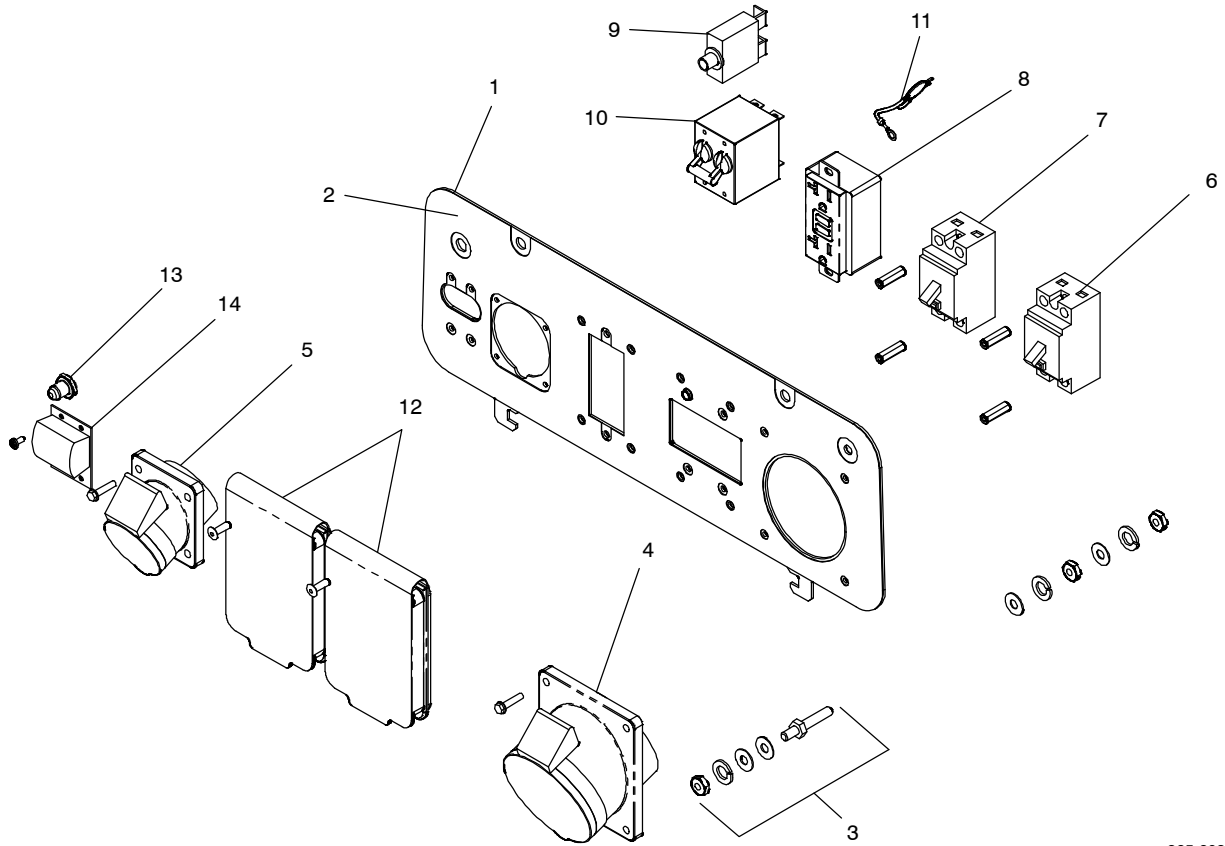
Item No.	Dia. Mkgs.	Part No.	Description	Quantity
Figure 13-2. Panel, Front w/Components (Figure 13-1 Item 1)				
... 1		+275307	Panel, Front Engine/Weld Control	1
... 2			Label, Nameplate (Order by Model and Serial No.)	1
... 3		277517	Gasket, Control Board Cover Top	1
... 4		277518	Gasket, Control Board Cover	2
... 5	PC1	280612	Kit, Service Control Board	1
... 6		278485	Assy, Encoder Nut W/O-Ring	1
... 7		277524	Gasket, 14 Pin Receptacle	1
... 8	S1	217680	Switch, Ignition 4 Position W/Out Handle	1
... 9		207073	Lever, Ignition Switch	1
... 10	CB8	083432	Supplementary Pro, Man Reset 1p 10A 250VAC Frict	1
... 11		190323	Boot, Circuit Breaker Clear Hex Nut	1
... 12		170391	Conn, Circ Ms Protective Cap Size 20 Nylon	1
... 13		245663	Knob, Encoder 1.250 Dia X .250 Id Push On W/Spring	1
... 14		276230	Knob, Encod 1.67 D. X 6mm Id Push On W/Spring/Print	1
... 15		276484	Harness, Front Panel USB	1
... 16		270453	Label, Warning Read Owner's Manual Wordless	1
... 17			Label, Nameplate (Order by Model and Serial No.)	1
... 18	POS	241432	Terminal, Pwr Output Red	1
... 19	NEG	241433	Terminal, Pwr Output Black	1
... 20	C4-C5	◆128750	Capacitor, Cer Disc .1 uF 500 VDC W/Terms (Non-ArcReach Models Only)	2
		010381	Connector, Rectifier	2
... 21		181169	Spacer, Output Stud	2
... 22		180735	Washer, Output Stud	2
... 23		186621	Boot, Generic Output Stud	2
... 24		278559	Foam, LED Process Select	1
... 25		278564	Foam, LED Fuel And Service	1
... 26		278563	Foam, LED Dig	1
... 27		231468	Nut, 375-32 .56Hex .22h Brs Conical Knurl	1
... 28		231469	Nut, 500-28 .69Hex .28h Brs Conical Knurl	1
... 29		280214	Spring, Wave	1
... 30	S4	021467	Switch, Tgl Spst 3A 250V Off-None-(On) Spd Term	1
... 31		021385	Boot, Toggle Switch Lever	1

◆OPTIONAL

+ When ordering a component originally displaying a precautionary label, the label should also be ordered.

To maintain the factory original performance of your equipment, use only Manufacturer's Suggested Replacement Parts. Model and serial number required when ordering parts from your local distributor.

Eff w/Serial No. MJ070650R And Following



265 602-A

Figure 13-3. Panel, Auxiliary Power Prior to Serial No. MJ420503R

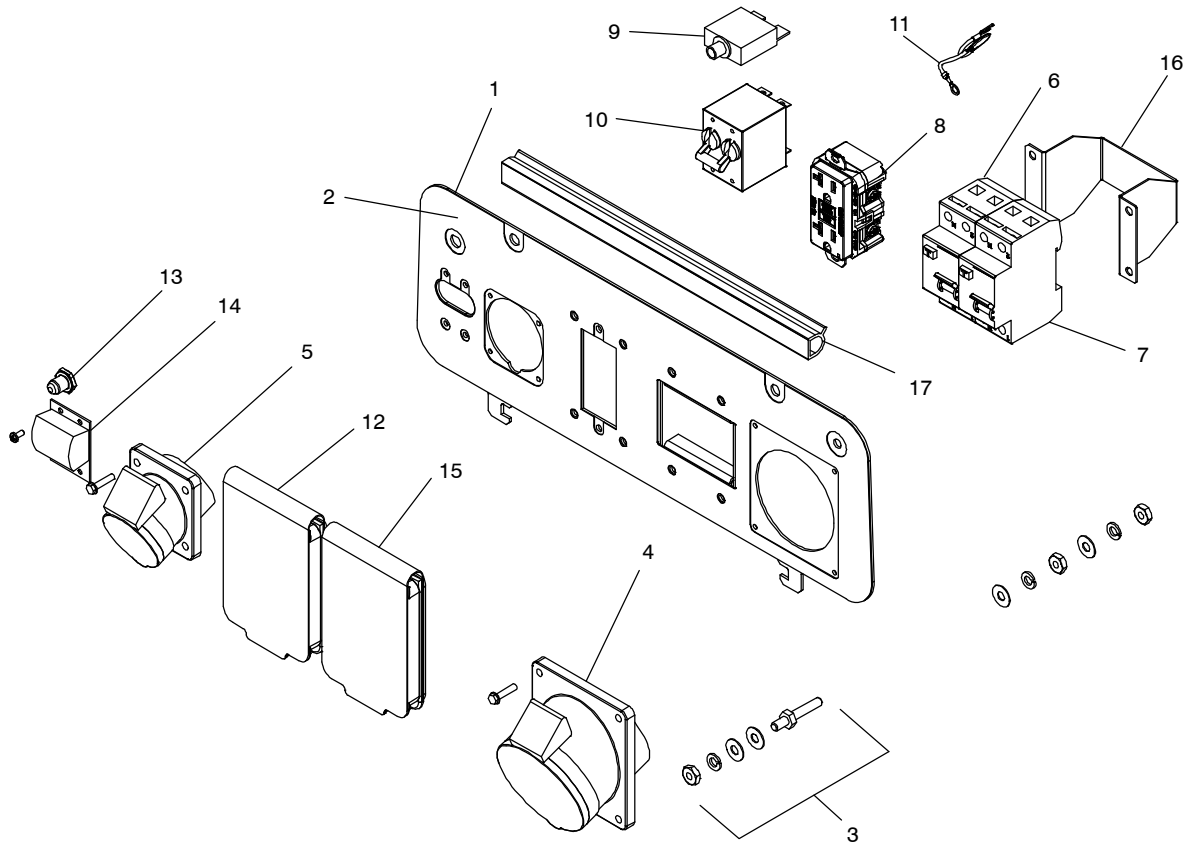
Item No.	Dia. Mkgs.	Part No.	Description	Quantity
----------	------------	----------	-------------	----------

Figure 13-3. Panel, Auxiliary Power Prior to Serial No. MJ420503R(Figure 13-2 Item 2)

...	1	265603	.. Panel, Power (Ex)	1
...	2	265604	.. Label, Aux Power (Ex)	1
...	3	197203	.. Grounding Stud Assy, Brass	1
...	4	RC12	.. Rcpt, Str 2p3w 32A 220V Flange Mtg	1
...	5	RC11	.. Rcpt, Str 2p3w 16A 220V Flange Mtg	1
...	6	ELCB2	.. Circuit Breaker, Elcb 32A 220V 0.030A Trip	1
...	7	ELCB1	.. Circuit Breaker, Elcb 16A 220V 0.030A Trip	1
...	8	GFCI1	.. Receptacle, GFCI 15/20A	1
...	9	CB4	.. Supplementary Pro, Man Reset 1p 20A 250VAC Frict	1
...	10	CB5	.. Supplementary Protector, Man Reset 2p 40A 240VAC	1
...	11	C12	.. Capacitor, Cer Disc .0047 uF 3000 VDC W/Terms	1
...	12	209056	.. Cover, Receptacle W/Gasket	2
...	13	190323	.. Boot, Circuit Breaker Clear Hex Nut	1
...	14	203016	.. Boot, Circuit Breaker 2 Pole	1

To maintain the factory original performance of your equipment, use only Manufacturer's Suggested Replacement Parts. Model and serial number required when ordering parts from your local distributor.

Eff w/Serial No. MJ070650R And Following



282823-A

Figure 13-4. Panel, Auxiliary Power Eff. W/Serial No. MJ420503R

Item No.	Dia. Mkgs.	Part No.	Description	Quantity
----------	------------	----------	-------------	----------

Figure 13-4. Panel, Auxiliary Power Eff. W/Serial No. MJ420503R (Figure 13-2 Item 2)

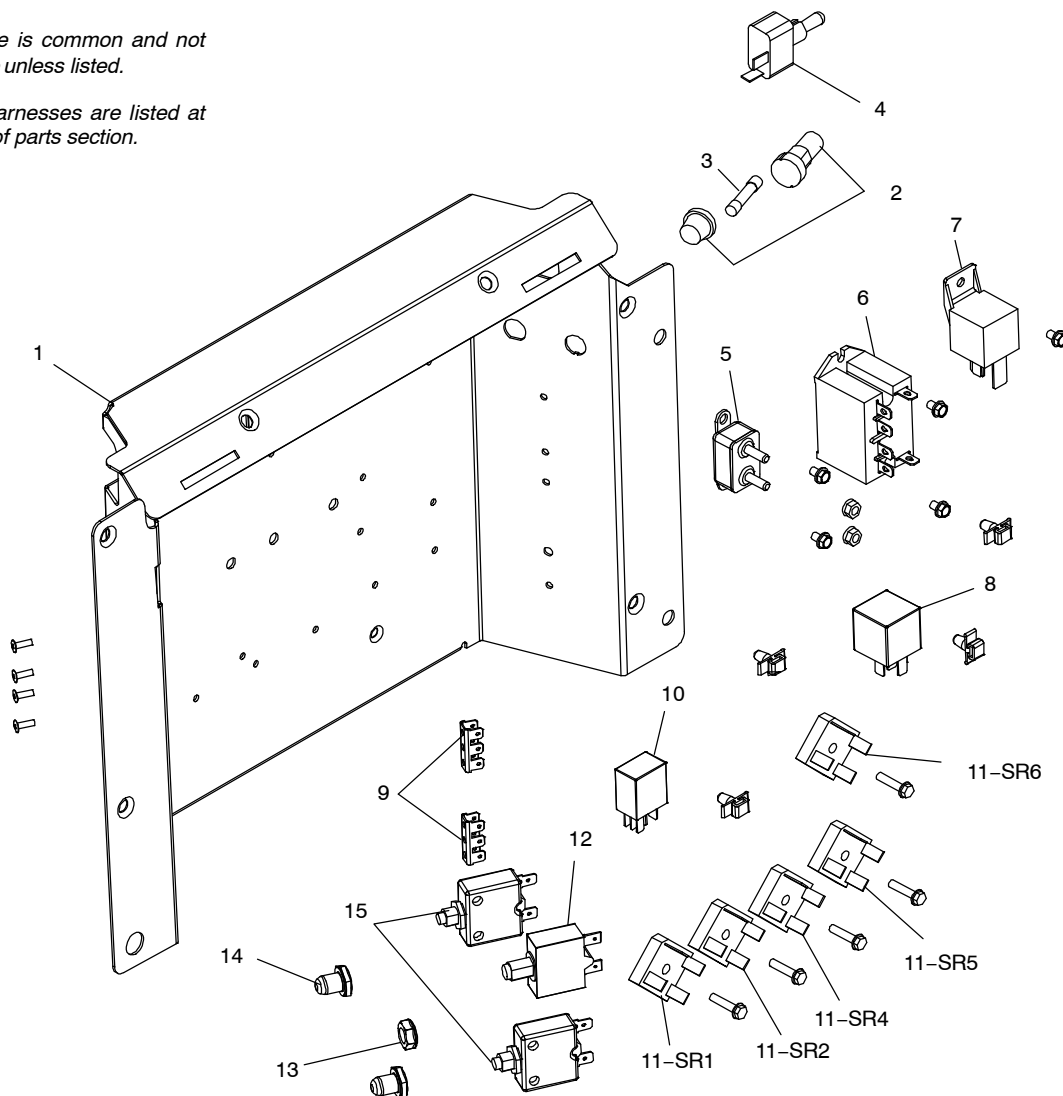
...	1	282824	.. Panel, Power (Ex)	1
...	2	282826	.. Label, Aux Power (Ex)	1
...	3	197203	.. Grounding Stud Assy, Brass	1
...	4	RC12	.. Rcpt, Str 2p3w 32A 220V Flange Mtg	1
...	5	RC11	.. Rcpt, Str 2p3w 16A 220V Flange Mtg	1
...	6	ELCB2	.. Circuit Breaker, Rccb 16A 230V 0.030A Trip A Type	1
...	7	ELCB1	.. Circuit Breaker, Rccb 32A 230V 0.030A Trip A Type	1
...	8	GFCI1	.. Receptacle, GFCI 15/20A	1
...	9	CB4	.. Supplementary Pro, Man Reset 1p 20A 250VAC Frict	1
...	10	CB5	.. Supplementary Protector, Man Reset 2p 40A 240VAC	1
...	11	C12	.. Capacitor, Cer Disc .0047 uF 3000 VDC W/Terms	1
...	12	209056	.. Cover, Receptacle W/Gasket	1
...	13	190323	.. Boot, Circuit Breaker Clear Hex Nut	1
...	14	203016	.. Boot, Circuit Breaker 2 Pole	1
...	15	282829	.. Cover, Receptacle Elcb	1
...	16	282732	.. Bracket, Rccb Double Din Rail Mtg	1
...	17	282687	.. Seal, Enclosure Opening D 11.750	1

To maintain the factory original performance of your equipment, use only Manufacturer's Suggested Replacement Parts. Model and serial number required when ordering parts from your local distributor.

Eff w/Serial No. MJ070650R And Following

☞ Hardware is common and not available unless listed.

Wiring harnesses are listed at the end of parts section.



281493

Figure 13-5. Control Panel, CAT

Item No.	Dia. Mkgs.	Part No.	Description	Quantity
----------	------------	----------	-------------	----------

Figure 13-5. Control Panel, CAT (Figure 13-1 Item 8)

...	1	220981	Bracket, Mtg Components	1
...	2	256852	Holder, Fuse Mintr .250 X 1.250 Panel Mtg	1
...	3	F1 *085874	Fuse, Mintr Cer Slo-blo 10. Amp 250 Volt	1
...	4	S4	Switch, Tgl Spst 3a 250v Off-None-(On) Spd Term	1
...	5	CB1	Circuit Breaker, Auto Reset 12VDC 40 Amp	1
...	6	CR1	Relay, Encl 12VDC Dpst-no 25A 6pin Flange	1
...	7	CR3	Relay, Encl 12VDC Spst 70A 4pin Flange Mtg	1
...	8	CR4	Relay, Encl 12VDC Spdt 50A/30A 5pin Flange Mtg	1
...	9	129524	Term, Frict 250x032 Uninsul Male .130 Stud Mtg 3pr	2
...	10	CR2	Relay, Encl 12VDC Spst 35A/14VDC 5 Pin	1
...	11	SR1,2,4,5,6	Rectifier, Integ Bridge 40. Amp 800V	5
...	12	CB9	Supplementary Pro, Auto Reset 1p 8A 12VDC Frict	1
...	13	147195	Nut, 375-27 .54hex .25h Nyl Flange .62d	1
...	14	190323	Boot, Circuit Breaker Clear Hex Nut	2
...	15	CB2, CB3	Supplementary Pro, Man Reset 1p 10A 250VAC Frict	2

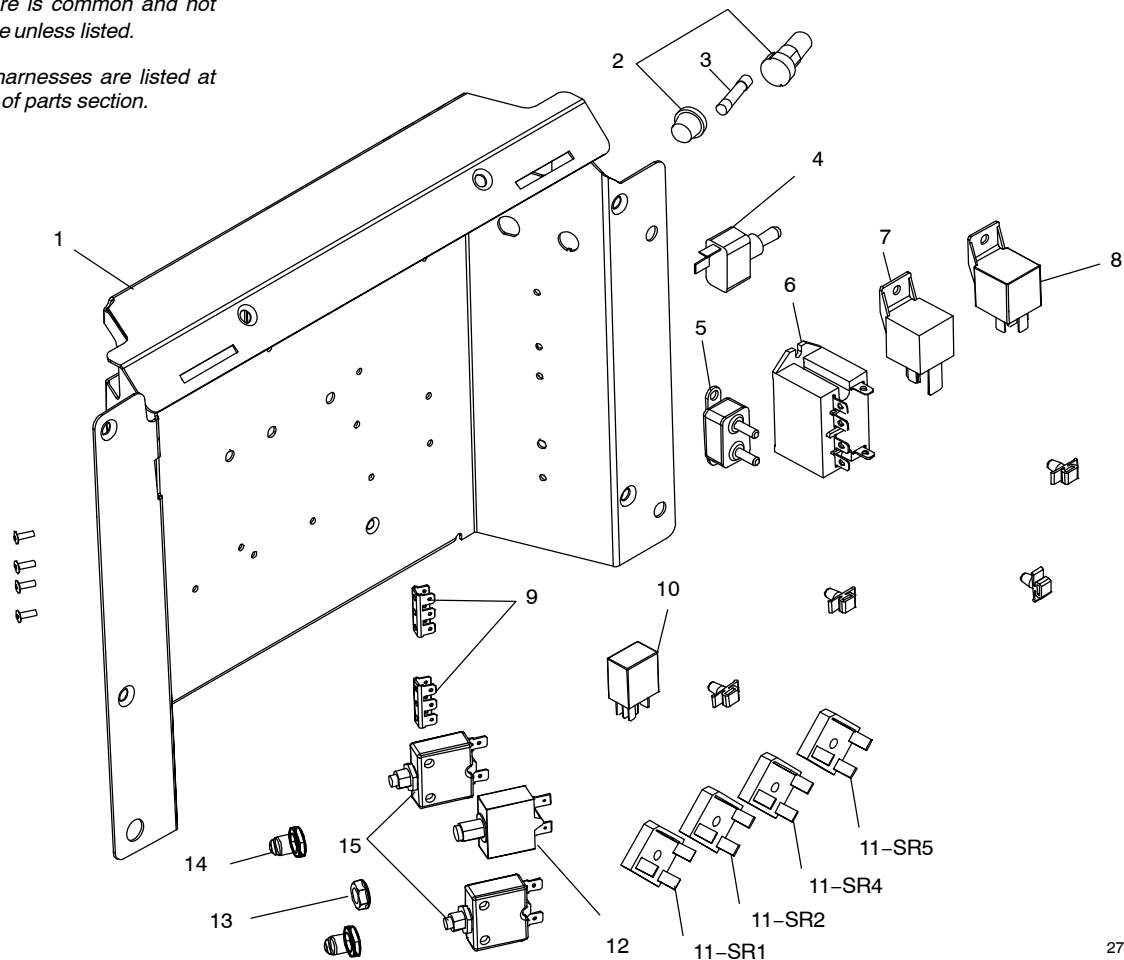
* Recommended Spare Parts.

To maintain the factory original performance of your equipment, use only Manufacturer's Suggested Replacement Parts. Model and serial number required when ordering parts from your local distributor.

Eff w/Serial No. MJ070650R And Following

☞ Hardware is common and not available unless listed.

Wiring harnesses are listed at the end of parts section.



276783-A

Figure 13-6. Kubota Control Panel

Item No.	Dia. Mkgs.	Part No.	Description	Quantity
----------	------------	----------	-------------	----------

Figure 13-6. Kubota Control Panel (Figure 13-1 Item 8)

...	1	220981	Bracket, Mtg Components	1
...	2	256852	Holder, Fuse Mintr .250 X 1.250 Panel Mtg	1
...	3	F1 *085874	Fuse, Mintr Cer Slo-blo 10. Amp 250 Volt	1
...	4	S4	Switch, Tgl Spst 3a 250v Off-None-(On) Spd Term	1
...		202209	Spacer, Nylon .805 Od X .510 Id X .220 Lg	1
...		021385	Boot, Toggle Switch Lever	1
...	5	CB1	Circuit Breaker, Auto Reset 12VDC 40 Amp	1
...	6	CR1	Relay, Encl 12VDC Dpst-no 25A 6pin Flange	1
...	7	CR3	Relay, Encl 12VDC Spst 70A 4pin Flange Mtg	1
...	8	CR4	Relay, Encl 12VDC Spdt 50A/30A 5pin Flange Mtg	1
...	9	129524	Term, Frict 250x032 Uninsul Male .130 Stud Mtg 3pr	2
...	10	CR2	Relay, Encl 12VDC Spst 35A/14VDC 5 Pin	1
...	11	SR1,2,4,5	Rectifier, Integ Bridge 40. Amp 800V	4
...	12	CB9	Supplementary Pro, Auto Reset 1p 8A 12VDC Frict	1
...	13	147195	Nut, 375-27 .54hex .25h Nyl Flange .62d	1
...	14	190323	Boot, Circuit Breaker Clear Hex Nut	2
...	15	CB2, CB3	Supplementary Pro, Man Reset 1p 10A 250VAC Frict	2

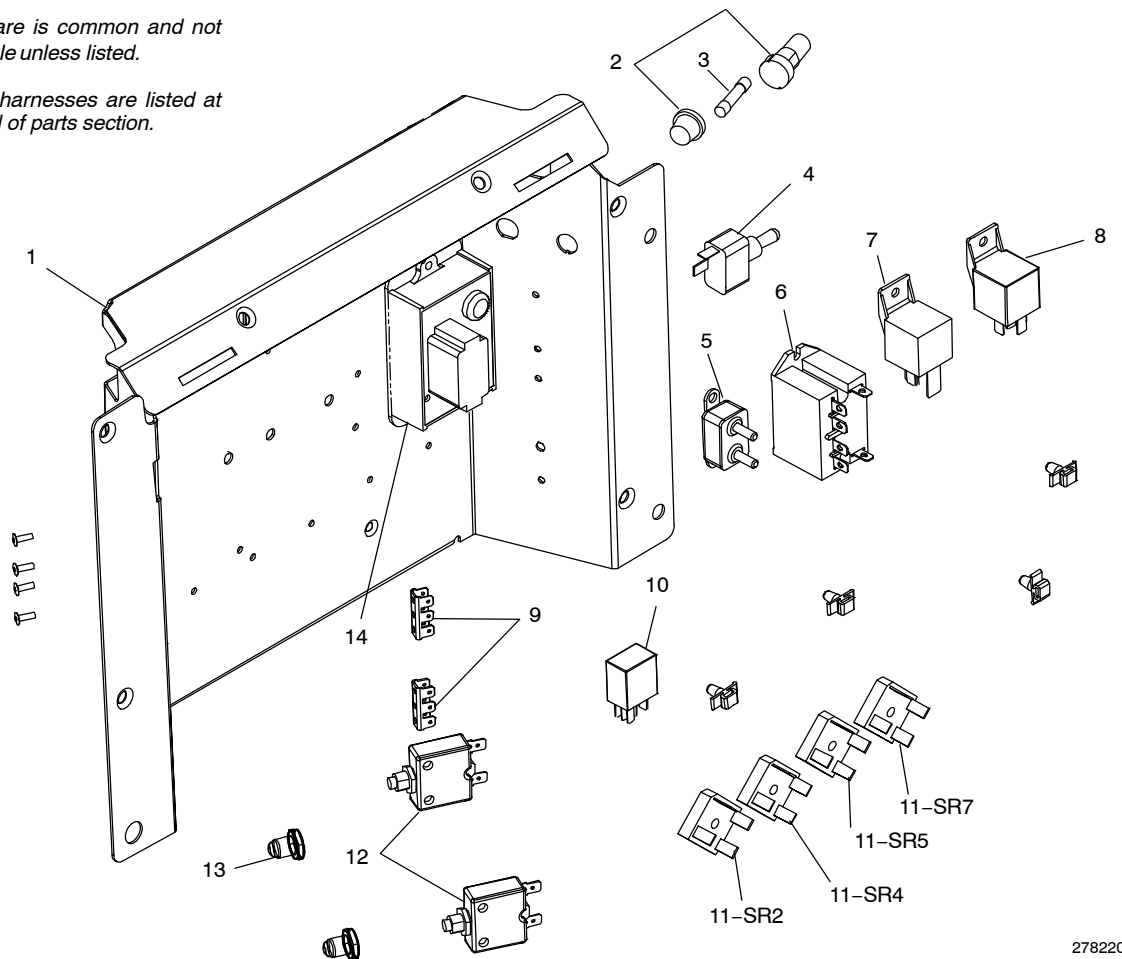
* Recommended Spare Parts.

To maintain the factory original performance of your equipment, use only Manufacturer's Suggested Replacement Parts. Model and serial number required when ordering parts from your local distributor.

Eff w/Serial No. MJ070650R And Following

☞ Hardware is common and not available unless listed.

Wiring harnesses are listed at the end of parts section.



278220

Figure 13-7. CAT Turbo Control Panel

Item No.	Dia. Mkgs.	Part No.	Description	Quantity
Figure 13-7. CAT Turbo Control Panel (Figure 13-1 Item 8)				
...	1	220981	Bracket, Mtg Components	1
...	2	256852	Holder, Fuse Mintr .250 X 1.250 Panel Mtg	1
...	3	F1 085874	Fuse, Mintr Cer Slo-blo 10. Amp 250 Volt	1
...	4	S4 021467	Switch, Tgl Spst 3A 250V Off-None-(On) Spd Term	1
...		202209	Spacer, Nylon .805 Od X .510 Id X .220 Lg	1
...		021385	Boot, Toggle Switch Lever	1
...	5	CB1 190374	Circuit Breaker, Auto Reset 12VDC 40 Amp	1
...	6	CR1 223710	Relay, Encl 12VDC Dpst-no 25A 6pin Flange	1
...	7	CR3 197325	Relay, Encl 12VDC Spst 70A 4pin Flange Mtg	1
...	8	CR4 173069	Relay, Encl 12VDC Spdt 50A/30A 5pin Flange Mtg	1
...	9	129524	Term, Frict 250x032 Uninsul Male .130 Stud Mtg 3pr	2
...	10	CR2 252053	Relay, Encl 12VDC Spst 35A/14VDC 5 Pin	1
...	11	SR2,4,5,7 035704	Rectifier, Integ Bridge 40. Amp 800V	4
...	12	CB2, CB3 083432	Supplementary Pro, Man Reset 1p 10A 250VAC Frict	2
...	13	190323	Boot, Circuit Breaker Clear Hex Nut	2
...	14	270269	Module, Control Governor Turbo (Program 1500/1800) (CAT Only)	1

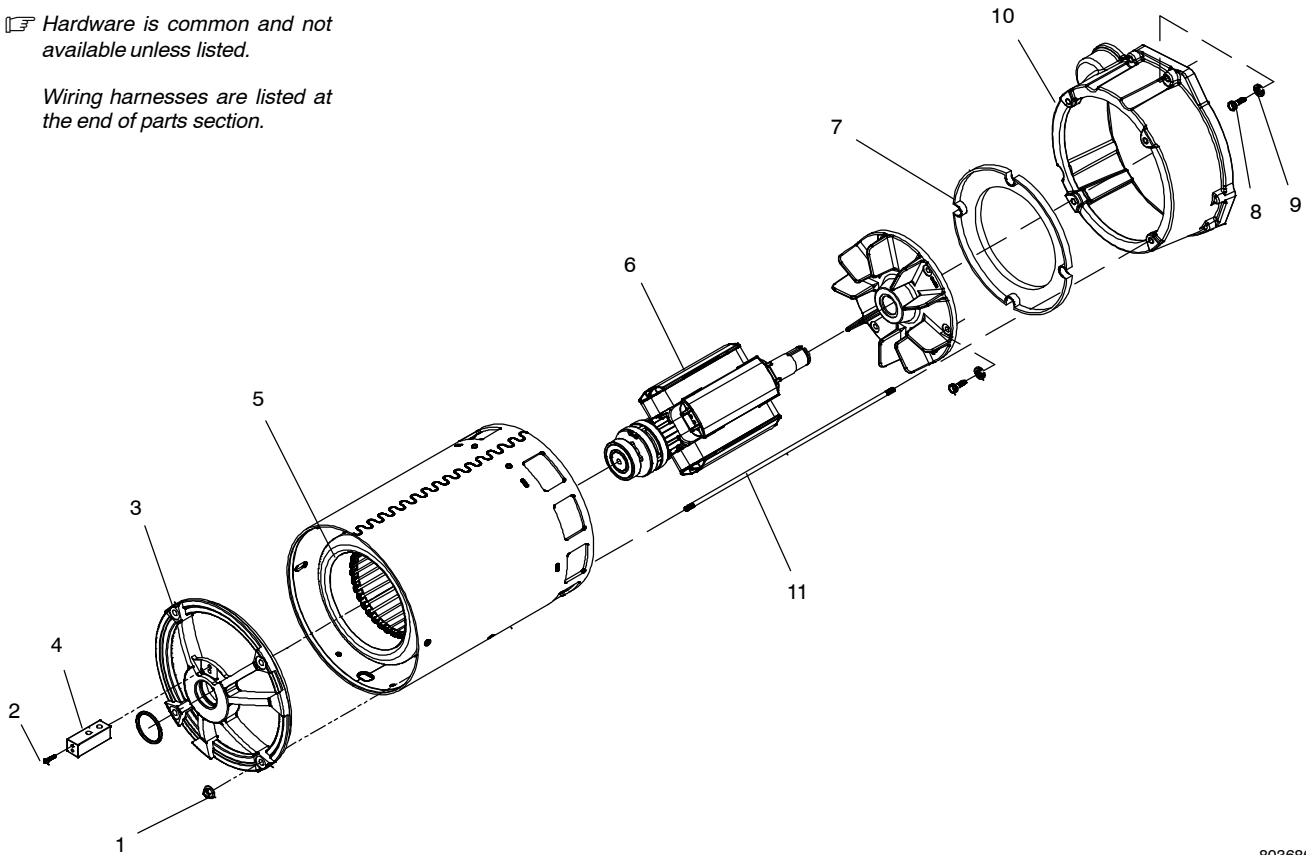
+ When ordering a component originally displaying a precautionary label, the label should also be ordered.

To maintain the factory original performance of your equipment, use only Manufacturer's Suggested Replacement Parts. Model and serial number required when ordering parts from your local distributor.

Eff w/Serial No. MJ070650R And Following

☞ Hardware is common and not available unless listed.

Wiring harnesses are listed at the end of parts section.



803686-C

Figure 13-8. Generator

Item No.	Dia. Mkgs.	Part No.	Description	Quantity
----------	------------	----------	-------------	----------

Figure 13-8. Generator (Figure 13-1 Item 34)

...	1	167788	.. Nut, 375-16 .56hex .34h Stl Pld Sem Cone Wshr.88d	4
...	2	136343	.. Screw, K50x 20 Pan Hd-phl Stl Pld Pt Thread Forming	2
...	3	183336	.. Endbell (Includes)	1
...		183419	.. O-Ring, 1.984 Id X .139 Cs 70 Duro Viton	1
...	4	*244290	.. Brushholder Assembly, Generator w/Leads	1
...	5	276873	.. Stator, Generator 4 Pole	1
...	5	281366	.. Stator, Generator 4 Pole (Cat Turbo Models)	1
...	6	273688	.. Rotor, Generator 4 Pole (Includes)	1
...		181143	.. Bearing, Ball Rdl Sgl Row .984 X 2.047 X .591	1
...		192600	.. Fan, Generator	1
...	7	159918	.. Baffle, Fan	1
...	8	192686	.. Screw, M 8-1.25x 25 Hex Hd-pln 8.8 Pld Din933	6
...	9	602211	.. Washer, Lock .318idx0.586odx.078t Stl Pld Split.312	6
...	10	193515	.. Adapter, Engine (Kubota shown)	1
...	10	212126	.. Adapter, Engine Machined Cat 3013c	1
...	10	270171	.. Adapter, Engine Machined Cat Turbo (5/8 Pickup)	1
...		242537	.. Pickup, Magnetic (Cat Turbo)	1
...	11	212641	.. Stud, Stl .375-16 1.625x 19.000	4

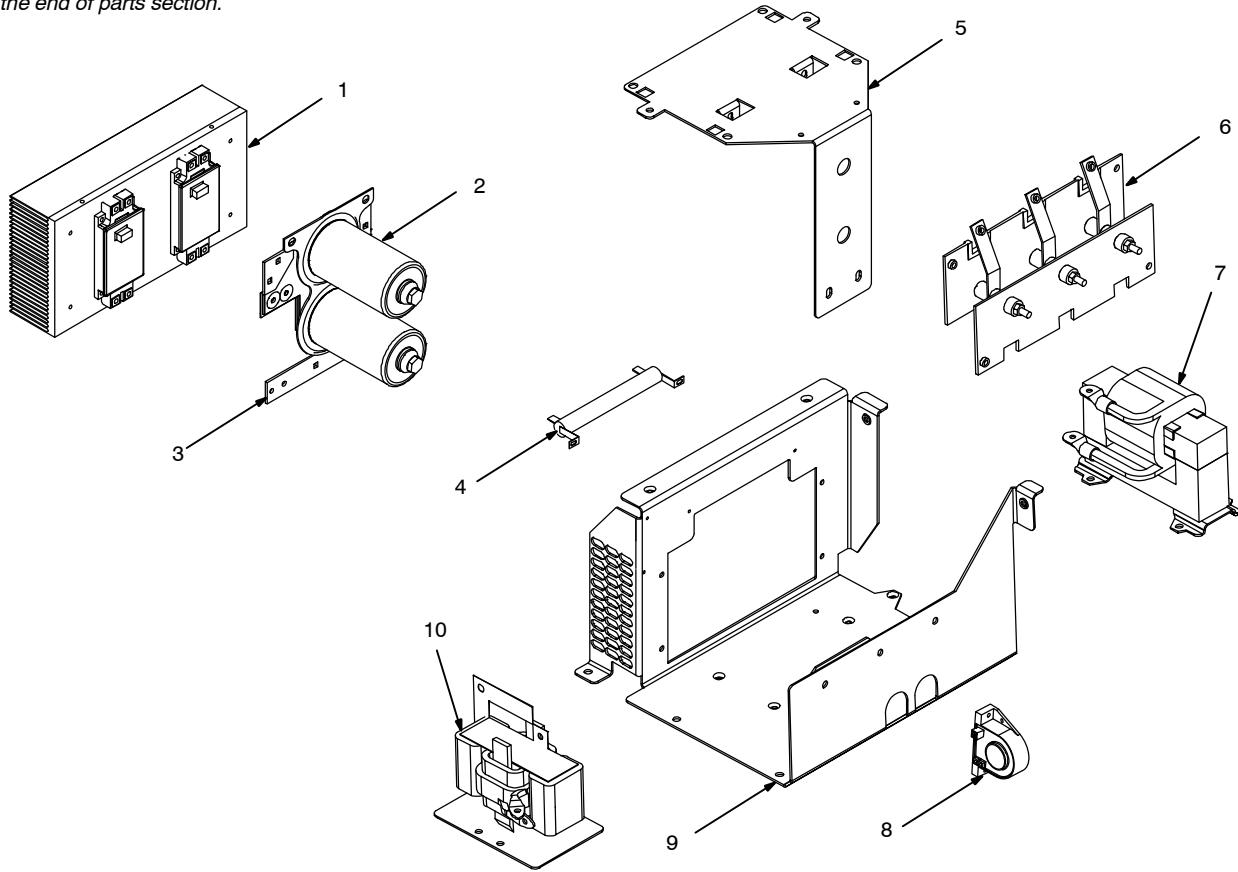
* Recommended Spare Parts.

To maintain the factory original performance of your equipment, use only Manufacturer's Suggested Replacement Parts. Model and serial number required when ordering parts from your local distributor.

Eff w/Serial No. MJ070650R And Following

☞ Hardware is common and not available unless listed.

Wiring harnesses are listed at the end of parts section.



278883

Figure 13-9. Weld Control Assembly

Item No.	Dia. Mkgs.	Part No.	Description	Quantity
Figure 13-9. Weld Control Assembly (Figure 13-1 Item 9)				
...	1 .. MOD1, 2 ..	278884 ..	Heat Sink, IGBT Assy	1
...	2	250590 ..	Kit, Capacitor/Bus Bar (Includes)	1
.....	C1	262919	Capacitor/Bus Bar Assy	2
.....	251291	Hardware Kit	1
...	3	245378 ..	Buss Bar, AC	1
...	4	R3	Resistor, Ww Fxd 00 W 200 Ohm W/Clips	1
...	5	245360 ..	Bracket, Mtg Vault	1
...	6	SR3	Rectifier, Si 3ph 300 Amp 400 Piv 100% Duty Cycle	1
...	7	Z1	Stabilizer	1
...	8	HD1	Transducer, Current 1000A Module Max Open Loop	1
...	9	245361 ..	Bracket, Mtg Components	1
...	10	T1	Xfmr, Control	1

To maintain the factory original performance of your equipment, use only Manufacturer's Suggested Replacement Parts. Model and serial number required when ordering parts from your local distributor.

Eff w/Serial No. MJ070650R And Following

☞ Some wiring harness components (switches, relays, supplementary protectors) are also referenced elsewhere in this parts list. Purchase components separately or as part of the associated wiring harness.

Item No.	Dia. Mkgs.	Part No.	Description	Quantity
Wiring Harnesses				
.....		281815 ..	Harness, Engine CAT C1.5	1
.....	PLG409 ..	177859 ..	Conn, Body 5 Terminal	1
.....	CR2	252053 ..	Relay, Encl 12VDC Spst 35A/14VDC 5 Pin	1
.....	PLG14-PLG16	212116 ..	Conn, Deutsch 2p 1row Female Plug	3
.....		212117 ..	Conn, Deutsch Wedge Lock 2 Position	3
.....		276786 ..	Harness, Engine Kubota 1505	1
.....	CR2	252053 ..	Relay, Encl 12vdc Spst 35a/14vdc 5 Pin	1
.....	PLG409 ..	177859 ..	Conn, Body 5 Terminal	1
.....	PLG30	192170 ..	Conn, Rect 250 2skt 2row Plug Cable Lkg	1
.....	PLG20	192168 ..	Conn, Rect 250 1pin 1row Rcpt Cable Lkg	1
.....		276784 ..	Harness, Weld Control (Sec Switch)	1
.....	S4	021467 ..	Switch, Tgl Spst 3a 250v Off-None-(On) Spd Term	1
.....	PLG3	114655 ..	Conn, Rect Mini 045 6skt 2row Plug Cable Lkg	1
.....	PLG4	116513 ..	Conn, Rect Mini 045 12skt 2row Plug Cable Lkg	1
.....	PLG5	113752 ..	Conn, Rect Mini 045 10skt 2row Plug Cable Lkg	1
.....	PLG9	117037 ..	Conn, Rect Mini 045 2skt 2row Plug Cable Lkg	1
.....	PLG10	113750 ..	Conn, Rect Mini 045 4skt 2row Plug Cable Lkg	1
.....	PLG17	148850 ..	Socket, Relay 5 Pin	1
.....		276779 ..	Harness, Gate Drive	1
.....	PLG2	114426 ..	Conn, Rect Mini 045 16skt 2row Plug Cable Lkg	1
.....	PLG10,PLG20	214951 ..	Conn, Rect Univ 039 6p/S 3row Plug Cable Lkg Seal	2
.....		214933 ..	Seal, Wire Univ 039	12

Miller Electric Mfg. LLC

An Illinois Tool Works Company
1635 West Spencer Street
Appleton, WI 54914 USA

International Headquarters-USA

USA Phone: 920-735-4505 Auto-Attended
USA & Canada FAX: 920-735-4134
International FAX: 920-735-4125

For International Locations Visit
www.MillerWelds.com

