



TM-249335F

2016-02

### Processes



Stick (SMAW) Welding



MIG (GMAW) Welding

Flux Cored (FCAW) Welding



Non-Critical TIG (GTAW) Welding

### Description



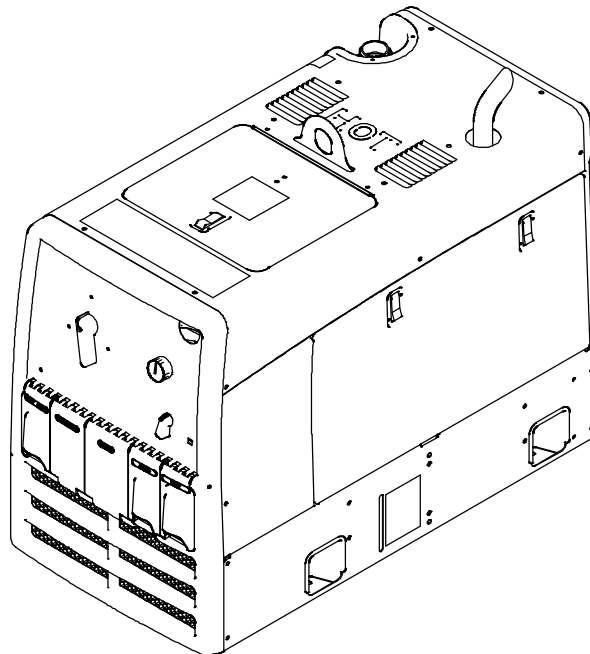
Engine Driven Welder/Generator

# Bobcat<sup>TM</sup> 225

## PARTS LIST

Eff w/MB450151R And Following

For OM-249335 Revisions A Thru J



Visit our website at

[www.MillerWelds.com](http://www.MillerWelds.com)

File: Engine Drive



# SECTION 12 – PARTS LIST

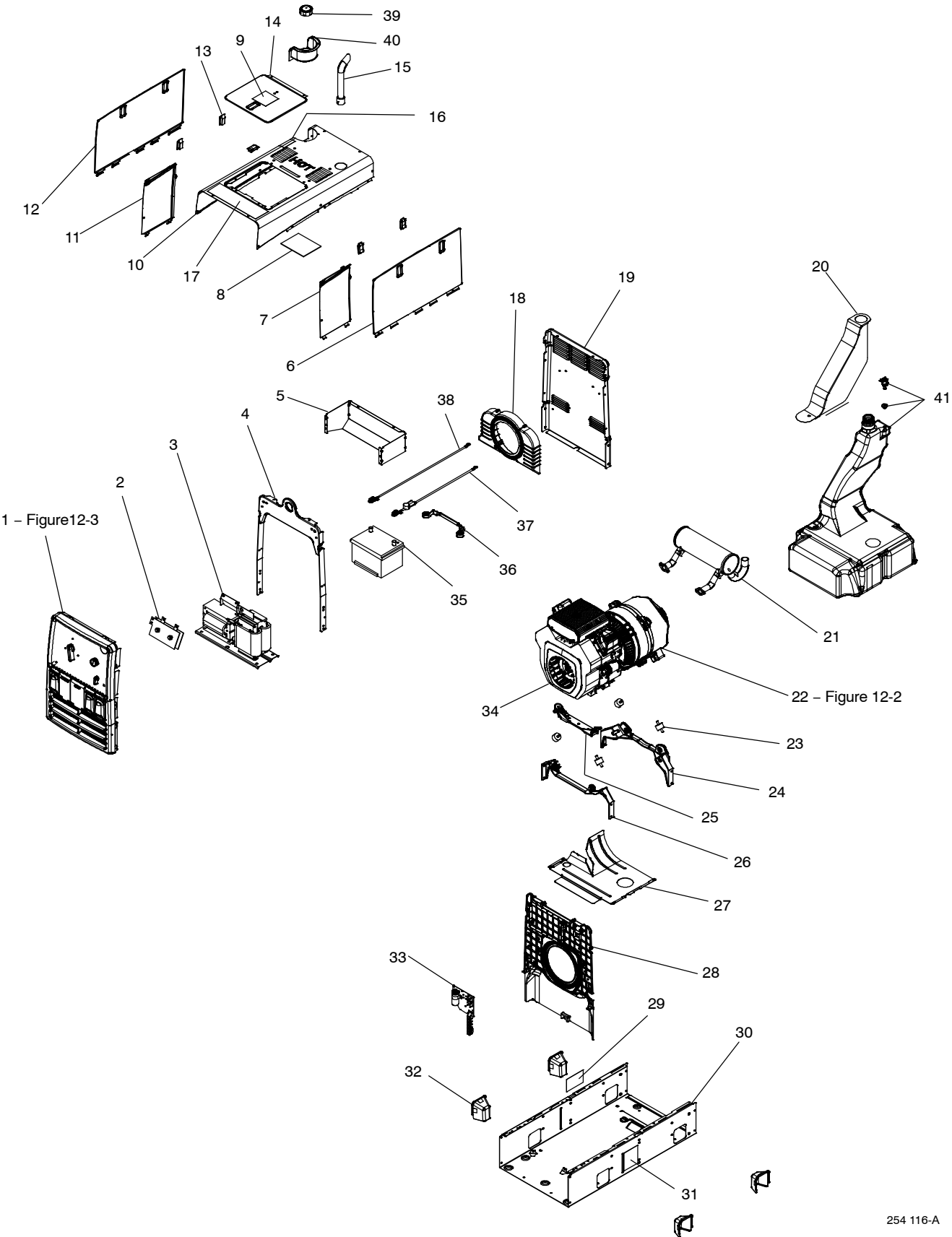


Figure 12-1. Main Assembly (Kohler Engine Shown)

254 116-A

# Eff w/MB450151R And Following

Item No.	Dia. Mkgs.	Part No.	Description	Quantity
<b>Figure 12-1. Main Assembly</b>				
1		Figure 12-3	Front Panel Assembly	1
2	SR1	249234	Rectifier, (Prior to ME131756R)	1
2	SR1	264887	Rectifier, (Eff w/ME131756R)	1
3		249263	Reactor, Stab	1
4		249241	Upright, Base	1
5		249256	Heat Shield, Muffler	1
6		249250	Door, Side Rh	1
		†255940	Door, Side Rh W/Latch And Seal	
7		249248	Panel, Side Rh	1
		†255942	Panel, Side Rh W/Bumper	
8		252069	Shield, Heat Reflective (Cover)	1
9		233088	Label, Danger Using A Generator Indoors Can Kill	1
10		+249252	Cover, Top	1
		†255907	Cover, Top Service Assy (Includes Engine Access Door, Labels, Fuel Filler Grommet)	
11		249249	Panel, Side Lh	1
		†255943	Panel, Side Lh W/Bumper	
12		249251	Door, Side Lh	1
		†255941	Door, Side Lh W/Latch And Seal	
13		211370	Latch, Door	5
14		249244	Door Assy, Access Engine Top	1
		217395	Bumper, Door .500 Od X .250 High Nprn 70 Duro	10
		220371	Seal, Rubber W/Adhesive .370 X .750 X 14.500	2
		191626	Bumper, Door Access Engine	1
15		249318	Pipe, Exhaust Elbow	1
16		249302	Label, Warning Gasoline (EPA) Bilingual	1
17		255052	Label, Warning General Precautionary Csa(Bilingual)	1
18		249280	Baffle, Air Rear	1
19		249239	Panel, Rear	1
20		252215	Shield, Heat Reflective (Tank)	1
21		249313	Muffler, Exhaust Engine (Kohler)	1
21		249314	Muffler, Exhaust Engine (Subaru) (Prior to ME380582R)	1
		261566	Gasket, Muffler (Kohler)	2
		261651	Gasket, Muffler (Subaru) (Prior to ME380582R)	2
		209057	Clamp, Muffler 1.625 Dia U Pld	1
22		Figure 12-2	Generator Assembly	1
	CT1	246549	Xfmr, Current Sensing	1
23		249255	Mount, Vibration	4
24		249229	Bracket, Mtg Base Generator	1
25		249226	Bracket, Mtg Engine Kohler	1
25		249227	Bracket, Mtg Engine Subaru (Prior to ME380582R)	1
26		249228	Bracket, Mtg Base Engine	1
27		249329	Cover, Fuel Tank	1
28		249253	Baffle, Engine	1
		216641	Seal, Engine Air Baffle (Subaru Engine Models) (Prior to ME380582R)	1
29		227913	Label, Warning Battery Explosion Can Blind	1
30		+249254	Base,	1
31		227912	Label, Warning Do Not Weld On Base/Fuel Level	2
32		211355	Cover, Base	4
33		246217	Bracket, W/Components/Harness	1
		248219	Bracket, Mtg Components	1
		172731	Holder, Fuse Mintr .250 X 1.250 Clip Anti-pivot	2
	1T	172661	Block, Stud Connection 6 Position	1
		177136	Clamp, Capacitor 1.375 Dia	1
	C1	218680	Capacitor, Elclt 2000 Uf 200 Vdc Can 1.42 Dia	1
	SR2-SR3	035704	Rectifier, Integ Bridge 40. Amp 800v	2
	F1-F2	*169296	Fuse, Mintr Gl 25. Amp 125 Volt	2
	D4	135184	Diode Board,	1
		173734	Link, Jumper	1

# Eff w/MB450151R And Following

Item No.	Dia. Mkgs.	Part No.	Description	Quantity
----------	------------	----------	-------------	----------

## Figure 12-1. Main Assembly (Continued)

34		249305	Engine, Gasoline Elec Start (Kohler)	1
34		249309	Engine, <b>LP</b> Gas Elec Start (Kohler)	1
		215984	Filter, Fuel In-line .250 ( <b>Kohler CH730</b> )	1
		230015	Tune-up & Filter Kit, <b>Kohler CH730</b> (Includes)	1
		230016	Air Filter Element, Kohler	1
		066698	Oil Filter, Kohler	1
		215985	Filter, Fuel w/Clamps & 1/4 in Fuel Line	1
		067007	Spark Plug	2
		230017	Air Filter Wrapper	1
	TS1	†199530	Solenoid, Idle (Kohler)	1
34		249307	Engine, Gasoline Elec Start (Subaru) (Prior to ME380582R)	1
		237857	Filter, Fuel In-line .250 ( <b>Subaru</b> ) (Prior to ME380582R)	1
		199062	Tune-up & Filter Kit, <b>Subaru</b> (Includes) (Prior to ME380582R)	1
		198755	Element, Air Filter	1
		198754	Filter, Oil	1
		241408	Filter, Fuel w/Clamps	1
		198777	Spark Plug	1
	F6	215621	Fuse, 30 Amp Ato Type	1
	TS1	†206573	Solenoid, (Subaru) (Prior to ME380582R)	1
35			Battery, Stor 12v Gp 58 Maint Free W/Handle	1
36		249330	Hold Down, Battery	1
37		245134	Cable, Battery Positive (25 In)	1
38		249615	Cable, Battery Negative (30.00 In)	1
		251161	Label, Engine Maintenance Kohler/Subaru (Bilingual)	1
		†255938	Kit, Label Bobcat 225/250/3 Phase	
		†147551	Tool, Puller Rotor	
		†177126	Tool, Puller Rotor	
		†167640	Housing Plug Pins+Skts, (Service Kit)	

☞ Gas tanks are EPA compliant starting 2012 week 10 (March 5, 2012). Contact Factory Service Department to ensure correct replacement parts are ordered.

39		220711	Cap, Tank Screw-on W/Tether (Prior to: See below)	1
39		255707	Cap, Tank Screw-on W/Exterior Tether (Eff w: See below)	1
40		181881	Grommet, Plastic Neck Filler Fuel (All Serial Numbers)	1
41		250880	Tank, Fuel 12.0 Gal (Prior to: See below)	1
41		257483	Assy, Tank 12.0 Gal W/EPA Valve (Eff w: See below)	1
		255171	Tank, Fuel 12.0 Gal	1
		252645	Valve, Solenoid 2-Way Normally Closed 14vdc 6.5 W	1
		124253	Bushing, Tank Fuel	1
		251227	Hose, Tank Vent 3/16 Id X 45.500 W/Clamps (Eff w: See below)	1
		252054	Clamp, EPA Hose (Eff w: See below)	2
		249616	Assy, Fuel Line W/Clamps (.500 Od X 4.000lg)	1

Model and Engine	Stock Number	Serial Number of EPA Fuel Tank Change:
225 Kohler GFCI	907498	MC090955R
225 Subaru	907499	MC012226R
225 Kohler	907498001	MC090311R
225 Kohler Elec Fuel Pump	907498002	MC012203R

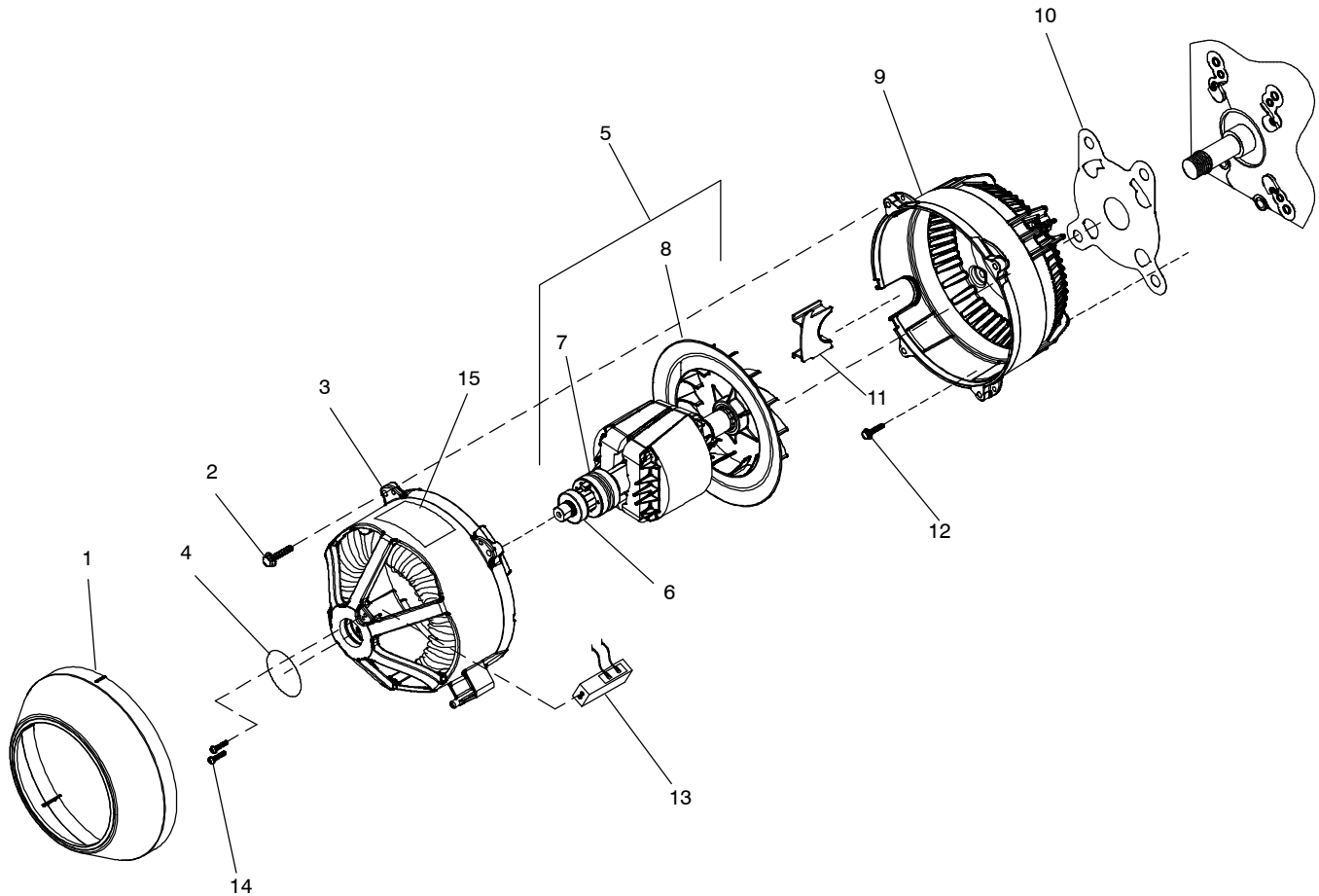
+When ordering a component originally displaying a precautionary label, the label should also be ordered. Labels available separately or as part of label kit.

\* Recommended Spare Parts.

† Service Parts.

**To maintain the factory original performance of your equipment, use only Manufacturer's Suggested Replacement Parts. Model and serial number required when ordering parts from your local distributor.**

# Eff w/MB450151R And Following



253 848-A

**Figure 12-2. Generator**

Item No.	Part No.	Description	Quantity
----------	----------	-------------	----------

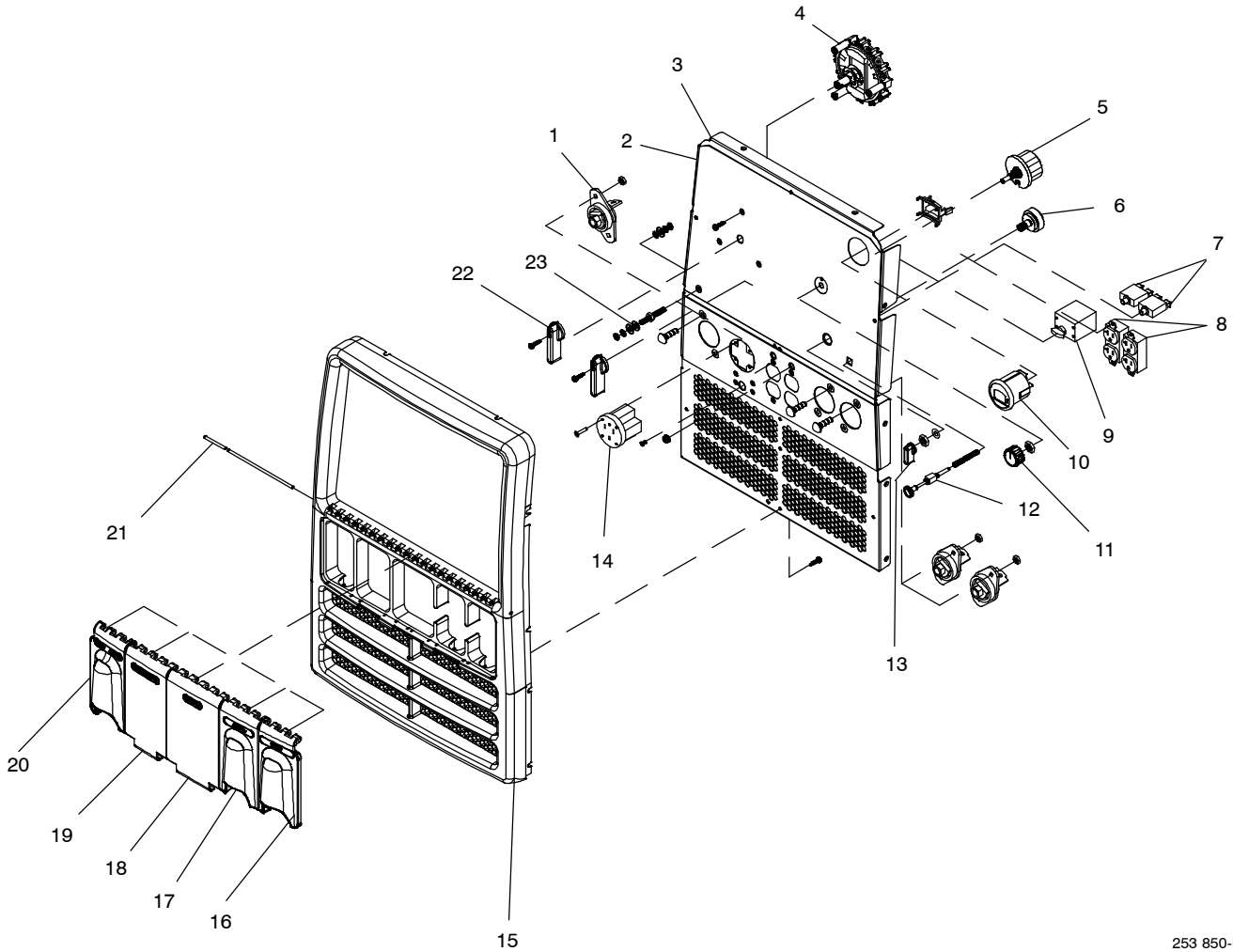
**Figure 12-2. Generator (Figure 12-1 Item 22)**

...	1	249240	.. Cover, Generator	1
...	2	142156	.. Screw, 375-16x1.75 Hexwhd.81d Gr8 Pld	4
...	3	STATOR +249323	.. Generator Assy, Front	1
...	4	183419	.... O-Ring 1.984 Id X .139 cs 70 Duro Viton	1
...	5	ROTOR 249325	.. Rotor, Generator (Includes)	1
...	6	181143	.... Bearing, Ball Rdl Sgl Row .984 X 2.047 X .591	1
...	7	181135	.... Ring, Collector Rotor	1
...	8	249259	.... Fan, Rotor Gen	1
...	9	249222	.. Adapter, Engine	1
...	10	250871	.. Baffle, Engine Adapter	1
...	11	249740	.. Grommet, Engine Adapter	1
...	12	250336	.. Screw, 437-14x1.50 Hexwhd.93d Gr8 Pld	4
...	13	205725	.. Brushholder Assy, Generator	1
...	14	136343	.. Screw, K50x 20 Pan Hd-phl Stl Pld Pt Thread Forming	2
...	15	227724	.. Label, Warning Moving Parts Can Cause Serious Etc (Bilingual)	1

+When ordering a component originally displaying a precautionary label, the label should also be ordered. Labels available separately or as part of label kit.

**To maintain the factory original performance of your equipment, use only Manufacturer's Suggested Replacement Parts. Model and serial number required when ordering parts from your local distributor.**

# Eff w/MB450151R And Following



253 850-B

**Figure 12-3. Panel, Front w/Components**

Item No.	Dia. Mkgs.	Part No.	Description	Quantity
----------	------------	----------	-------------	----------

**Figure 12-3. Panel, Front w/Components (Figure 12-1 Item 1)**

...	1	241433	Terminal, Pwr Output Black	3
...	2		Nameplate (Order By Model And Serial No.)	1
...	3	249331	Panel, Front	1
...	4	S2 249235	Switch, Selector 5 Position W/Jumpers	1
...	5	R1 239168	Rheostat, WW 150. W 50. Ohm Frict Term	1
...	6	S1 217680	Switch, Ignition 4 Position W/Out Handle	1
...	7	CB2, CB3 093996	Circuit Breaker, Man Reset 1p 20a 250vac Frict	2
...	8	RC2, RC3 ♦237722	Rcpt, Str Dx Grd 2p3w 20a 125v *5-20r	2
...	8	RC2, RC3 259980	Rcpt, Str Dx Grd 2p3w 15/20a 125v *5-20r Gfi	2
...	9	CB1 233039	Circuit Breaker, Man Reset 2p 50a 240vac Screw-90	1
...	10	HM 227598	Gauge, Hour Meter/Idle Module	1
...	11	207077	Knob, Pointer 1.625 Dia. Push On	1
...	12	249320	Control, Push/Pull Snap-in 28.937 W/1.750 Extension <b>Kohler</b>	1
...	12	249322	Control, Push/Pull Snap-in 31.437 W/1.750 Extension <b>Subaru</b>	1
...			(Prior to ME380582R)	1
...		110463	Tubing, Corrugated Plastic Slit .250 Dia Xcoil	.3437 ft
...	13	207073	Lever, Ignition Switch	1
...	14	RC1 182954	Rcpt, Str 3p4w 50a 125/250v Flush Mtg *14-50	1
...		♦119172	Plug, str grd 3p4w 50a 125/250v *14-50p	1
...	15	249333	Bezel Assy (Includes)	1
...		211416	Bezel	1
...	16	250725	Cover, Output Stud DC+	1
...	17	250724	Cover, Output Stud AC	1

## Eff w/MB450151R And Following

Item No.	Dia. Mkgs.	Part No.	Description	Quantity
<b>Figure 12-3. Panel, Front w/Components (Continued)</b>				
... 18	.....	216773	.... Cover, Receptacle Duplex 120v	1
... 19	.....	216774	.... Cover, Receptacle Full Kva 120/240v	1
... 20	.....	250726	.... Cover, Output Stud DC-/AC	1
... 21	.....	211405	.... Pin, Hinge	1
... 22	.....	207074	.. Handle, Switch	1
... 23	.... GRD	.... 197203	.. Grounding Stud Assy, Brass	1

◆ Optional

**To maintain the factory original performance of your equipment, use only Manufacturer's Suggested Replacement Parts. Model and serial number required when ordering parts from your local distributor.**

Some wiring harness components (switches, relays, circuit breakers) are also referenced elsewhere in this parts list. Purchase components separately or as part of the associated wiring harness.

Part No.	Dia. Mkgs.	Description	Quantity
<b>Wiring Harnesses</b>			
.....	.....	246386 .. Harness, Wrg Unit (Includes)	1
.....	.....	PLG8 .... 177859 .... Conn, Body 5 Terminal	1
.....	.....	RC4 .... 116045 .... Conn, Rect Univ 084 6p/S 3row Rcpt Cable/Panel Lkg (Service Kit)	1
.....	.....	PLG6 .... 136810 .... Conn, Rect Univ 084 4p/S 1row Plug Cable Lkg (Service Kit)	1
.....	.....	PLG12 ... 214932 .... Conn, Rect Univ 039 8p/S 2row Plug Cable Lkg Seal	1
.....	.....	PLG13 ... 140523 .... Conn, Rect Comm 062 2p/S 1row Plug Cable Lkg	1







**Miller Electric Mfg. Co.**

An Illinois Tool Works Company  
1635 West Spencer Street  
Appleton, WI 54914 USA

**International Headquarters-USA**

USA Phone: 920-735-4505 Auto-Attended  
USA & Canada FAX: 920-735-4134  
International FAX: 920-735-4125

For International Locations Visit  
[www.MillerWelds.com](http://www.MillerWelds.com)

