



PM-291052F

2024-06

Processes



Multiprocess Welding

Description

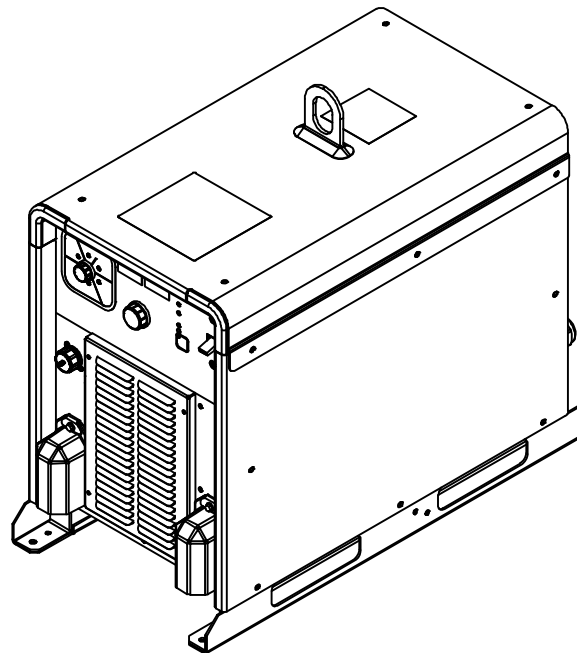


Arc Welding Power Source

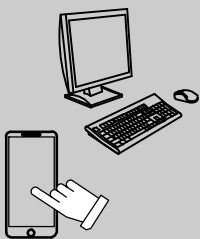
XMT[®] 650

ArcReach[®] Polarity Reversing 380V/460V

Eff w/Serial No.
NB410743C Thru ND400560C




PARTS MANUAL



For product information,
Owner's Manual translations,
and more, visit

www.MillerWelds.com

SECTION 1 – PARTS LIST FOR SERIAL NO. NB410743C THRU ND400560C

 Hardware is common and not available unless listed.

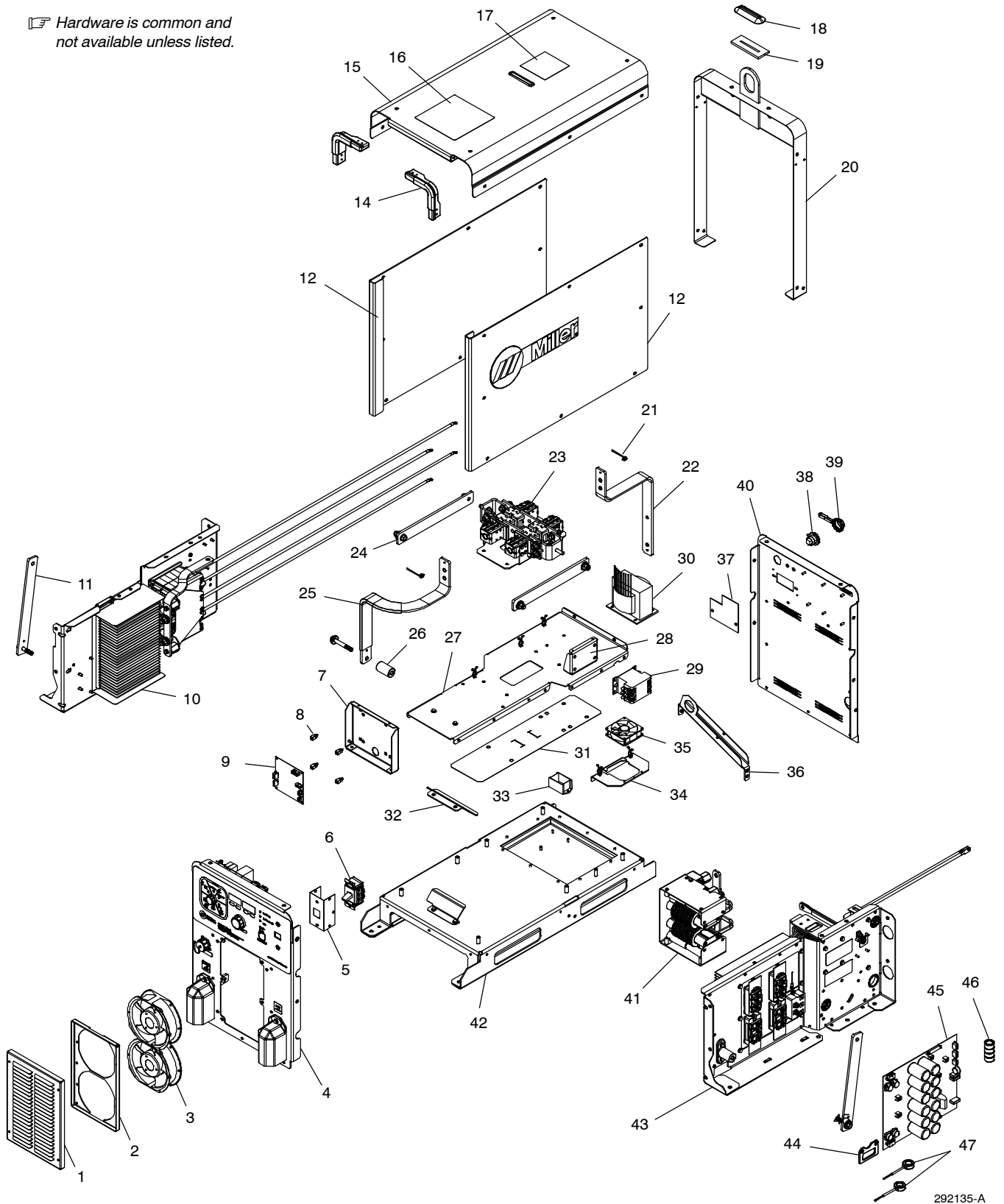


Figure 1-1. Main Assembly

Eff w/Serial No. NB410743C Thru ND400560C

Item No.	Dia. Mkgs.	Part No.	Description	Quantity
Figure 1-1. Main Assembly				
.. 1		267295	.. Box, Louver	1
.. 2		263624	.. Shroud, Fan	1
.. 3	.. FM1, FM2	281995	.. Fan, Muffin 115V 60Hz 3400 RPM 6.378 Mtg Holes Tpa2	2
.. 4	.. See Figure 1-2		.. Panel, Front W/Cmpnts (PR)	1
.. 5		176226	.. Insulator, Switch Power	1
.. 6	.. S1	244920	.. Switch, Tgl 3Pst 40A 600 VAC Scr Term Wide Tgl	1
.. 7		290880	.. Bracket, Mtg PC Board ArcReach	1
.. 8		083147	.. Grommet, Scr No 8/10 Panel Hole .312 Sq .500 High	4
.. 9	.. PC8	288994	.. Circuit Card Assy, ArcReach Transceiver Pr	1
.. 10	.. See Figure 1-4		.. Windtunnel, Lh W/Cmpnts (PR)	1
.. 11		291627	.. Bus Bar, Polarity Reversing Output Connector	2
.. 12		263647	.. Panel, Side Rh (Includes)	1
		263620	.. Panel, Side Folded Edge Right	1
		234534	.. Label, Miller	1
		175256	.. Insulator (Not Shown)	1
.. 13		263646	.. Panel, Side Lh (Includes)	1
		263619	.. Panel, Side Folded Edge Left	1
		234534	.. Label, Miller (Not Shown)	1
.. 14		267339	.. Bracket, Corner Front (Casting)	2
.. 15		+263606	.. Cover, Top Folded Edge	1
.. 16		274964	.. Label, Warning General Precautionary (En/Fr/Sp)	1
.. 17		274966	.. Label, Warning Falling Equipment (En/Fr/Sp-Sym)	1
.. 18		232914	.. Seal, Lift Eye	1
.. 19		177279	.. Gasket, Lift Eye	1
.. 20		266958	.. Lift Eye Assy	1
.. 21	.. TP1, TP2	290938	.. Thermostat, NC Open 140C Close 110C W/Plg	2
.. 22		290089	.. Bus Bar, Polarity Reversing ArcReach Inductor	1
.. 23	W2-EP1/EN1, W3-EP2/EN2	291194	.. Contactor Assy, Polarity Reversing	1
.. 24		291628	.. Bus Bar, Polarity Reversing Output Connector	2
.. 25		290088	.. Bus Bar, Polarity Reversing Output Rectifier	1
.. 26		291707	.. Bus Bar, Lem	1
.. 27		290848	.. Cover, Windtunnel (PR)	1
.. 28		290877	.. Bracket, Mounting Contactor	1
.. 29	.. W1	180270	.. Contactor, Def Prp 40A 3P 24VAC Coil W/Boxlug	1
.. 30	.. T2	290643	.. XFMR, Control 380/460 VAC Pri 305Va 60Hz	1
.. 31		291038	.. Insulator, Polarity Reversing Bus Bar	1
.. 32		272492	.. Baffle, Upper	1
.. 33	.. MOD1	289674	.. Module, ArcReach Coupler XMT 650	1
.. 34		290881	.. Bracket, Mtg Fan	1
.. 35	.. FM3	183918	.. Motor, Fan 24VDC 3000 RPM 43 Cfm W/10 Ohm Resistor	1
.. 36		290489	.. Bracket, Hf Lead Tray	1
.. 37		291581	.. Plate, Rear Panel Blank	1
.. 38	.. RC3	281942	.. Conn, USB Type A/B Rcpt Panel Mtg Sealed	1
.. 39		244237	.. Dust Cap	1
.. 40		290537	.. Panel, Rear	1
.. 41	.. L3	290971	.. Inductor, ArcReach PR	1
.. 42		290270	.. Base, W/Cmpnts (Includes)	1
		290264	.. Base, W/Studs	1
		290267	.. Pan, Cmpnt Mtg W/Studs	1
		272493	.. Baffle, Lower	1
.. 43	.. See Figure 1-3		.. Windtunnel, Rh W/Cmpnts	1

Eff w/Serial No. NB410743C Thru ND400560C

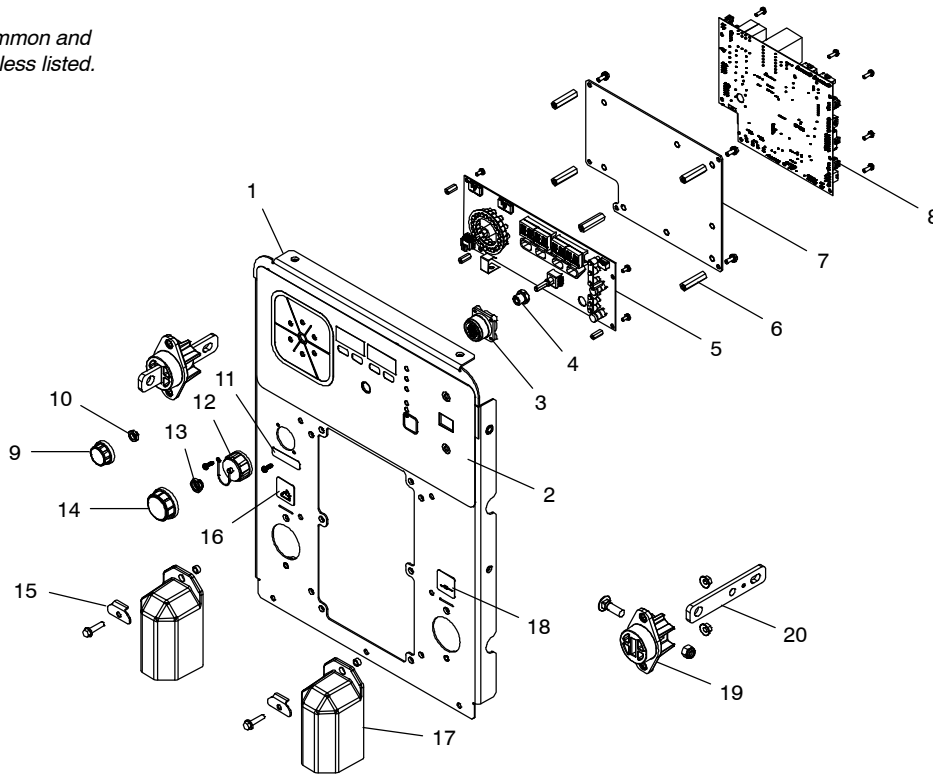
Item No.	Dia. Mkgs.	Part No.	Description	Quantity
Figure 1-1. Main Assembly (Continued)				
.. 44		291045	.. Insulator, Windtunnel/Bus Bar	1
.. 45	PC2	289085	.. Circuit Card Assy, Interconnecting	1
.. 46	L9, L10, L11, L12	241027	.. Core, Toroidal .748 Id X 1.142 Od X .600 Thk	4
.. 47	CT1, CT2	285431	.. Plg Assy, Elect (CT1/CT2)	1
	PLG23, PLG49	290634	.. Harness, Wrg Primary (Includes)	1
	S1	244920	.. Switch, Tgl 3Pst 40A 600VAC Scr Term Wide Tgl	1
	W1	180270	.. Contactor, Def Prp 40A 3P 24VAC Coil W/Boxlug	1
	L8	241027	.. Core, Toroidal .748 Id X 1.142 Od X .600 Thk	1
	PLG38, PLG71	290663	.. Plug, W/Leads Weld Terminal (VFB)	1
	PLG24, PLG19	290696	.. Cable Assy, Current Feedback	1
	PLG8, RC60, RC61, RC62	290844	.. Plugs W/Leads RT2, TP1, TP2, (PR)	1
	PLG37, PLG67	290733	.. Plugs W/Leads ArcReach 8Pin	1
	PLG36, PLG66	290735	.. Plugs W/Leads ArcReach 10Pin	1
	PLG5, RC55	290737	.. Plugs W/Leads Fan Adapter (PR)	1
	PLG4, RC45, RC46	290888	.. Plugs W/Leads Fan (PR)	1
	PLG18, PLG47	285453	.. Plug W/Leads (PC1-PC2)	1
	PLG35	290885	.. Plug W/Leads PR Contactor Assy	1
	PLG27, PLG39	290729	.. Plug W/Leads Inverter VFB	1
		280908	.. Cable, USB 2.0 Male A/Male B 3Ft	1
		262913	.. Kit, Strain Relief 1.250	1

+ When ordering a component originally displaying a precautionary label, the label should also be ordered.

To maintain the factory original performance of your equipment, use only Manufacturer's Suggested Replacement Parts. Model and serial number required when ordering parts from your local distributor.

Eff w/Serial No. NB410743C Thru ND400560C

☞ Hardware is common and not available unless listed.



292136-A

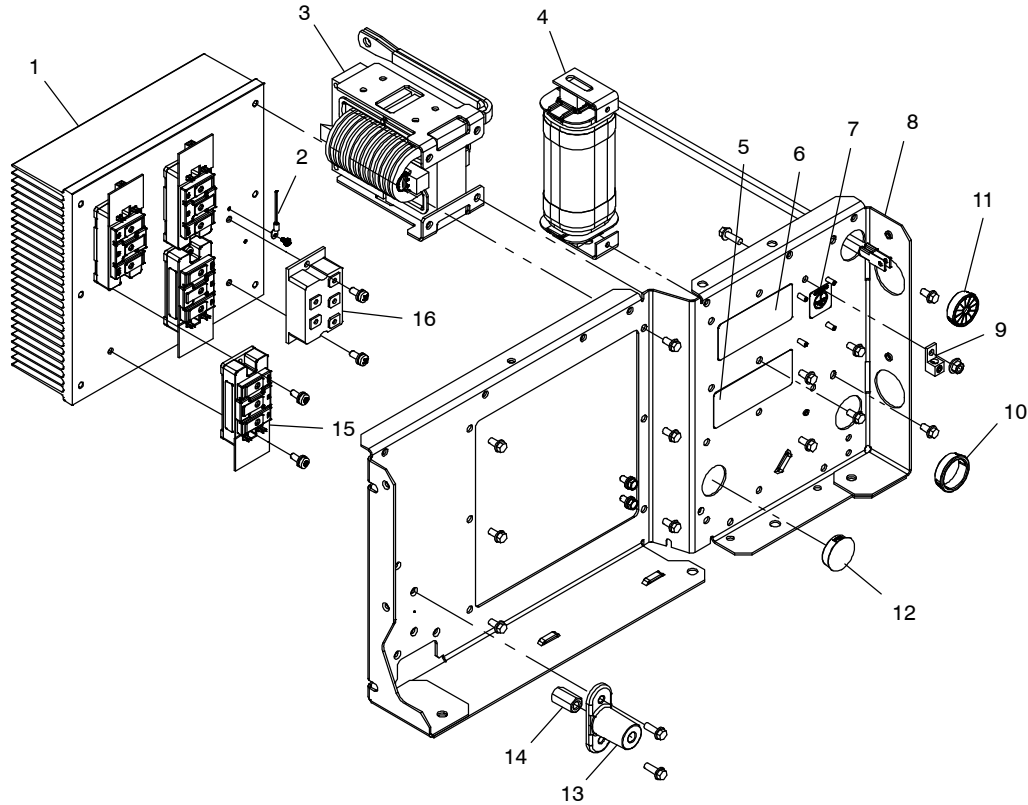
Figure 1-2. Front Panel

Item No.	Dia. Mkgs.	Part No.	Description	Quantity
Figure 1-2. Front Panel				
1		290298	Panel, Front W/Studs	1
2		290004	Label, Controls XMT 650 ArcReach Polarity Reversing	1
3		290849	Rcpt, W/Leads 14Pin (PR)	1
4		231470	Nut, Adapter Encoder Shaft Mtg 375-32 To 500-28	1
5	PC7	290996	Circuit Card Assy, Front Panel Ui W/Program	1
6		272486	Stand-Off, No 10-32 X 1.500 Lg .375 Hex Al Fem	5
7		290342	Panel, Cntrl Brd Mtg W/Stand-Offs	1
8	PC1	290965	Circuit Card Assy, Control W/Program	1
9		245663	Knob, Encoder 1.250 Dia X .250 id Push On W/Spring	1
10		231468	Nut, 375-32 .56Hex .22H Brs Conical Knurl	1
11		186275	Label, Remote 14	1
12		268085	Conn, Circ Ms Protective Cap Size 20 Nylon	1
13		231469	Nut, 500-28 .69Hex .28H Brs Conical Knurl	1
14		213134	Knob, Encoder 1.670 Dia X .250 id Push On W/Spring	1
15		268891	Washer, Output Stud	2
16		070572	Label, Electrode	1
17		264114	Boot, Generic Output Stud	2
18		070571	Label, Work	1
19		263560	Terminal, Pwr Output Black	2
20		263570	Bus Bar, Output	2
	PLG32, 64	280089	Plugs, W/Leads Cntrl To UI (7 Pin)	1
	PLG2, 66	280099	Plugs, W/Leads Cntrl To UI (8 Pin)	1

+ When ordering a component originally displaying a precautionary label, the label should also be ordered.
To maintain the factory original performance of your equipment, use only Manufacturer's Suggested Replacement Parts. Model and serial number required when ordering parts from your local distributor.

Eff w/Serial No. NB410743C Thru ND400560C

☞ Hardware is common and not available unless listed.



292134-B

Figure 1-3. Wind Tunnel, RH

Item No.	Dia. Mkgs.	Part No.	Description	Quantity
----------	------------	----------	-------------	----------

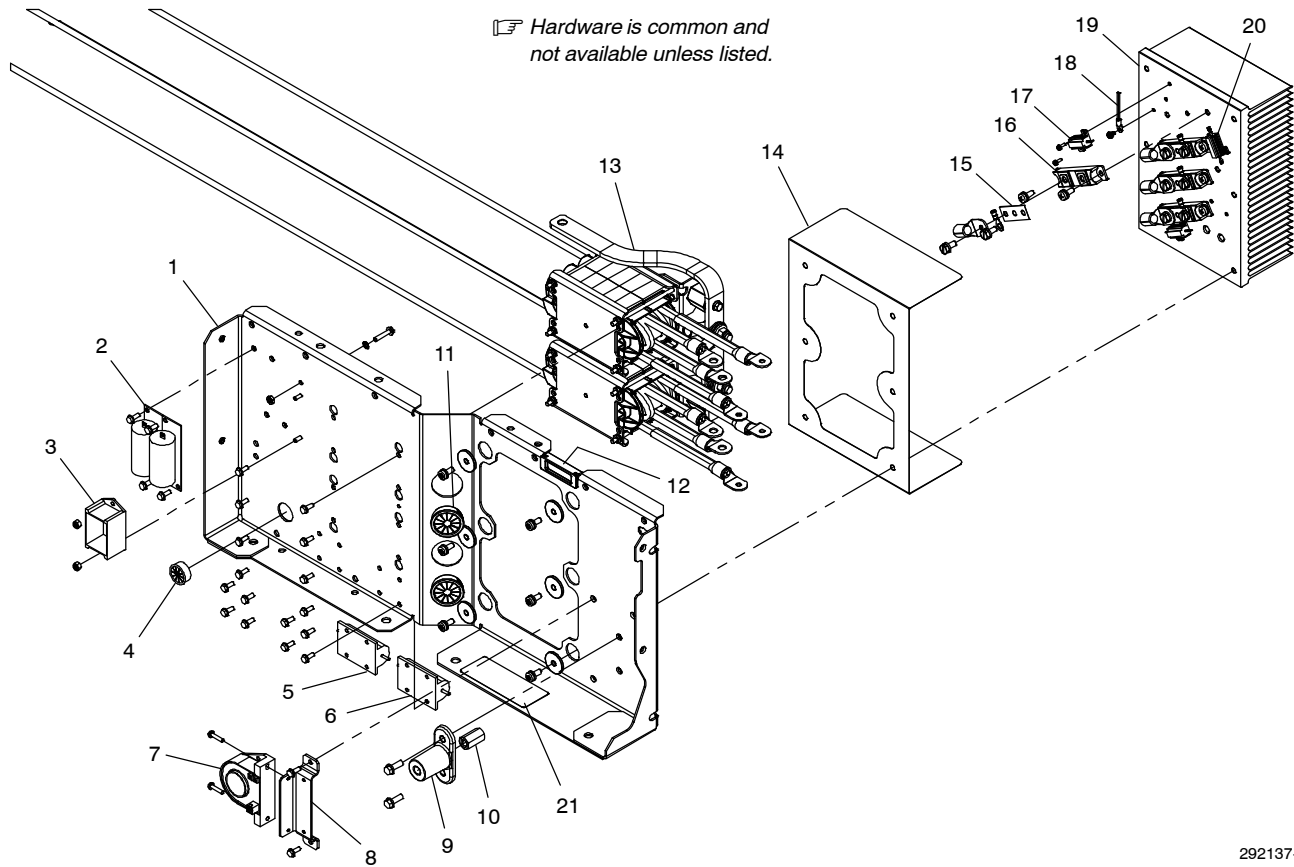
Figure 1-3. Wind Tunnel, RH

.. 1		263555 ..	Heat Sink, Power Module	1
.. 2	RT1	199798 ..	Thermistor, Ntc 30K Ohm @ 25 Deg C 18.00in2500V	1
.. 3	L2	289935 ..	Inductor, Output	1
.. 4	L1	289921 ..	Inductor, Input	1
.. 5		272700 ..	Label, Warning Electric Shock/Exploding Parts (Sym)	1
.. 6		280754 ..	Label, Equipment Terminal	1
.. 7		155436 ..	Label, Ground/Protective Earth	1
.. 8		+290490 ..	Windtunnel, Rh W/Studs	1
.. 9		145743 ..	Lug, Univ W/Scr 600V 2-14 Wire .250 Stud	1
.. 10		170647 ..	Bushing, Snap-in Nyl 1.312 id X 1.500 Mtg Hole	1
.. 11		179276 ..	Bushing, Snap-in Nyl 1.000 id X 1.375 Mtg Hole Cent	1
.. 12		057360 ..	Blank, Snap-in Nyl 1.375 Mtg Hole Black	1
.. 13		264199 ..	Stand-off, Insul Bus Bar	1
.. 14		268532 ..	Nut, 375-16 .63Hex 1.13H Stl Pld Clr Coupling	1
.. 15 ..	PM1/PC3, PM2/PC4, PM3/PC5, PM4/PC6	269905 ..	Kit, Transistor IGBT Module (Powerex) (Includes 2 Modules)	2
.. 16	SR1	286964 ..	Kit, Diode Power Module	1
.....	PLG50/56/57, PLG51/67/68	285500 ..	Plug Assy, W/Leads (Gate)	2

+ When ordering a component originally displaying a precautionary label, the label should also be ordered.

To maintain the factory original performance of your equipment, use only Manufacturer's Suggested Replacement Parts. Model and serial number required when ordering parts from your local distributor.

Eff w/Serial No. NB410743C Thru ND400560C



292137-A

Figure 1-4. Wind Tunnel, LH

Item No.	Dia. Mkgs.	Part No.	Description	Quantity
----------	------------	----------	-------------	----------

Figure 1-4. Wind Tunnel, LH

.. 1	+290492	..	Windtunnel, Lh	1
.. 2 ...	C5, C6	.. 273124	.. Filter Cap Assy, ArcReach 16uF	2
.. 3 ...	MOD2	.. 290927	.. Filter Assy, Output	1
.. 4 153403	.. Bushing, Snap-In Nyl .750 id X 1.000 Mtg Hole Cent	1
.. 5	R4	.. 291046	.. Resistor W/Leads	1
.. 6	R5	.. 291049	.. Resistor W/Leads	1
.. 7	HD1	.. 168829	.. Transducer, Current 1000A Module Max Open Loop	1
.. 8 290494	.. Bracket, Mtg Lem	1
.. 9 264199	.. Stand-Off, Insul Bus Bar	1
.. 10 268532	.. Nut, 375-16 .63Hex 1.13H Stl Pld Clr Coupling	1
.. 11 245520	.. Bushing, Snap-In Nyl 1.062 Id X 1.500 Mtg Hole Cent	2
.. 12 291044	.. Insulator, Windtunnel/Bus Bar Polarity Reversing	1
.. 13	T1	.. 290493	.. XFMR Assy, Hf W/Bus Bar	1
.. 14 263556	.. Insulator, Heatsink	1
.. 15 286106	.. Bus Bar, Diode	4
.. 16 ...	D1-D4	.. 285840	.. Kit, Ultra-Fast Diode	4
.. 17 R1/C15,R2/C16		.. 266955	.. Resistor/Capacitor Assy	2
.. 18 ...	RT2	.. 173632	.. Thermistor, Ntc 30K Ohm @ 25 Deg C 12.00in. Lead	1
.. 19 263554	.. Heat Sink, Rect Output	1
.. 20	R3	.. 285446	.. Resistor, W/Leads	1
.. 21 272700	.. Label, Warning Electric Shock/Exploding Parts (Stm)	1

+ When ordering a component originally displaying a precautionary label, the label should also be ordered.

To maintain the factory original performance of your equipment, use only Manufacturer's Suggested Replacement Parts. Model and serial number required when ordering parts from your local distributor.



PM-291052F

2024-06

Processes



Multiprocess Welding

Description

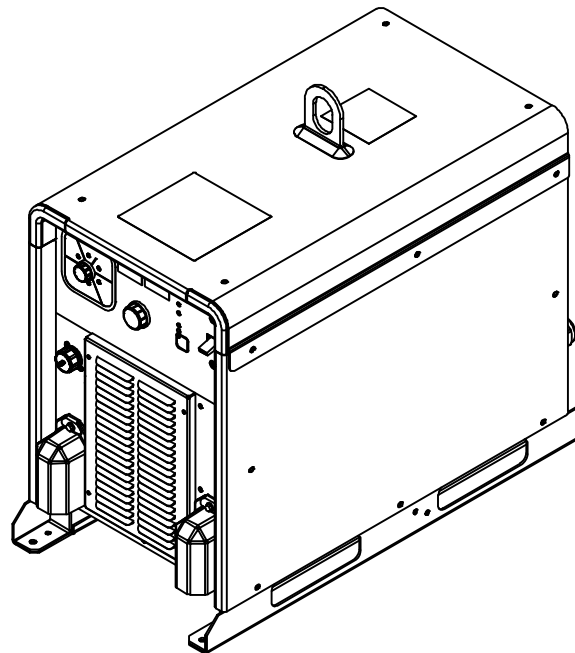


Arc Welding Power Source

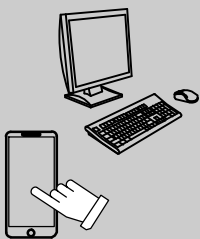
XMT[®] 650

ArcReach[®] Polarity Reversing 380V/460V

Eff w/Serial No.
ND400560C Thru NE050601C




PARTS MANUAL



For product information,
Owner's Manual translations,
and more, visit

www.MillerWelds.com

SECTION 2 – PARTS LIST FOR SERIAL NO. ND400560C THRU NE050601C

 Hardware is common and not available unless listed.

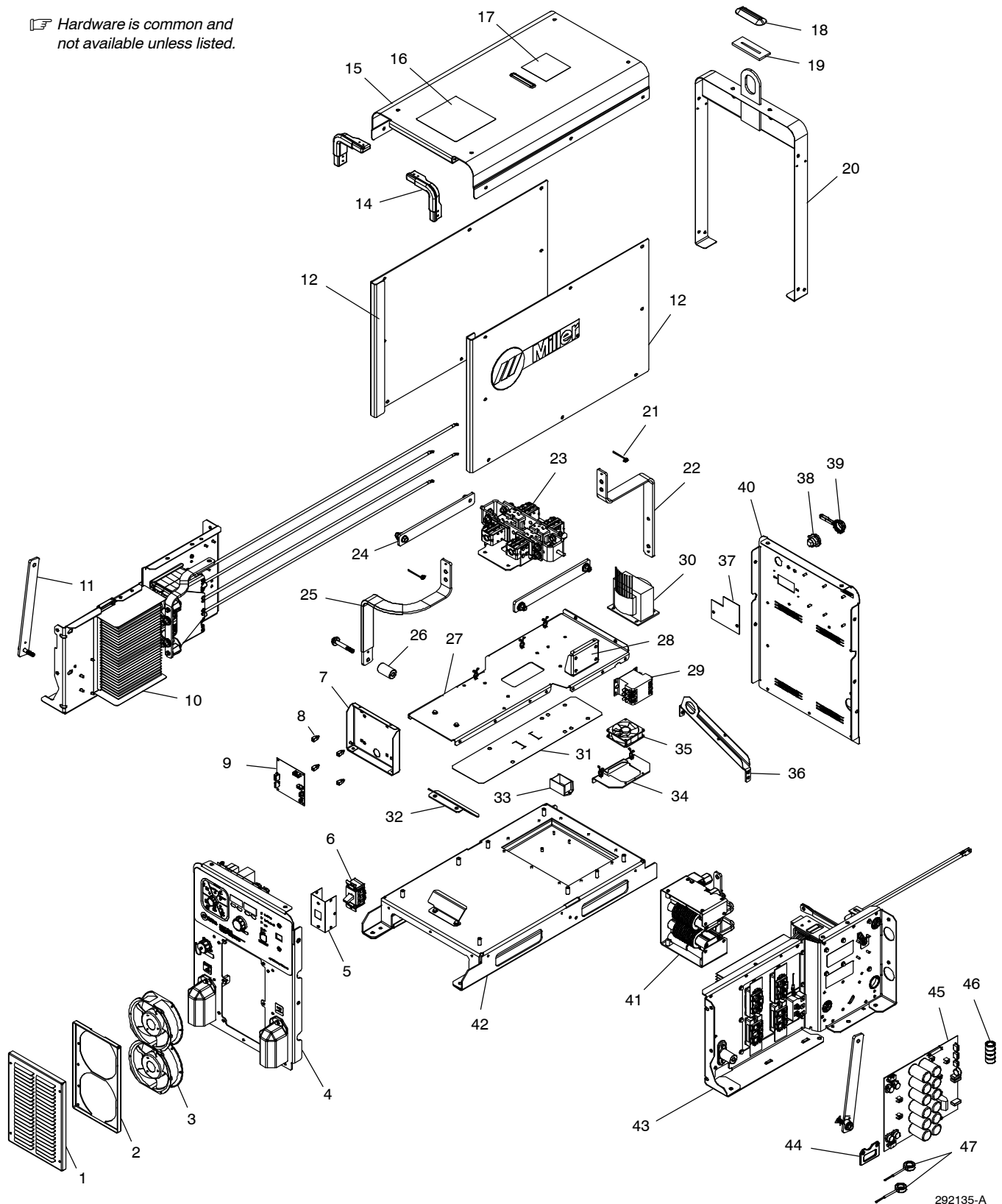


Figure 1-5. Main Assembly

Eff w/Serial No. ND400560C thru NE050601C

Item No.	Dia. Mkgs.	Part No.	Description	Quantity
Figure 1-5. Main Assembly				
1		267295	Box, Louver	1
2		263624	Shroud, Fan	1
3	FM1, FM2	281995	Fan, Muffin 115V 60Hz 3400 RPM 6.378 Mtg Holes Tpa2	2
4	See Figure 1-6		Panel, Front W/Cmpnts (PR)	1
5		176226	Insulator, Switch Power	1
6	S1	244920	Switch, Tgl 3Pst 40A 600 VAC Scr Term Wide Tgl	1
7		290880	Bracket, Mtg PC Board ArcReach	1
8		083147	Grommet, Scr No 8/10 Panel Hole .312 Sq .500 High	4
9	PC8	288994	Circuit Card Assy, ArcReach Transceiver Pr	1
10	See Figure 1-8		Windtunnel, Lh W/Cmpnts (PR)	1
11		291627	Bus Bar, Polarity Reversing Output Connector	2
12		263647	Panel, Side Rh (Includes)	1
		263620	Panel, Side Folded Edge Right	1
		234534	Label, Miller	1
		175256	Insulator (Not Shown)	1
13		263646	Panel, Side Lh (Includes)	1
		263619	Panel, Side Folded Edge Left	1
		234534	Label, Miller (Not Shown)	1
14		267339	Bracket, Corner Front (Casting)	2
15		+263606	Cover, Top Folded Edge	1
16		274964	Label, Warning General Precautionary (En/Fr/Sp)	1
17		274966	Label, Warning Falling Equipment (En/Fr/Sp-Sym)	1
18		232914	Seal, Lift Eye	1
19		177279	Gasket, Lift Eye	1
20		266958	Lift Eye Assy	1
21	TP1, TP2	290938	Thermostat, NC Open 140C Close 110C W/Plg	2
22		290089	Bus Bar, Polarity Reversing ArcReach Inductor	1
23	W2-EP1/EN1, W3-EP2/EN2	291194	Contactory Assy, Polarity Reversing	1
24		291628	Bus Bar, Polarity Reversing Output Connector	2
25		290088	Bus Bar, Polarity Reversing Output Rectifier	1
26		291707	Bus Bar, Lem	1
27		290848	Cover, Windtunnel (PR)	1
28		290877	Bracket, Mounting Contactory	1
29	W1	180270	Contactory, Def Prp 40A 3P 24VAC Coil W/Boxlug	1
30	T2	290643	XFMR, Control 380/460 VAC Pri 305Va 60Hz	1
31		291038	Insulator, Polarity Reversing Bus Bar	1
32		272492	Baffle, Upper	1
33	MOD1	289674	Module, ArcReach Coupler XMT 650	1
34		290881	Bracket, Mtg Fan	1
35	FM3	183918	Motor, Fan 24VDC 3000 RPM 43 Cfm W/10 Ohm Resistor	1
36		290489	Bracket, Hf Lead Tray	1
37		291581	Plate, Rear Panel Blank	1
38	RC3	281942	Conn, USB Type A/B Rcpt Panel Mtg Sealed	1
39		244237	Dust Cap	1
40		290537	Panel, Rear	1
41	L3	290971	Inductor, ArcReach PR	1
42		290270	Base, W/Cmpnts (Includes)	1
		290264	Base, W/Studs	1
		290267	Pan, Cmpt Mtg W/Studs	1
		272493	Baffle, Lower	1
43	See Figure 1-7		Windtunnel, Rh W/Cmpnts	1

Eff w/Serial No. ND400560C thru NE050601C

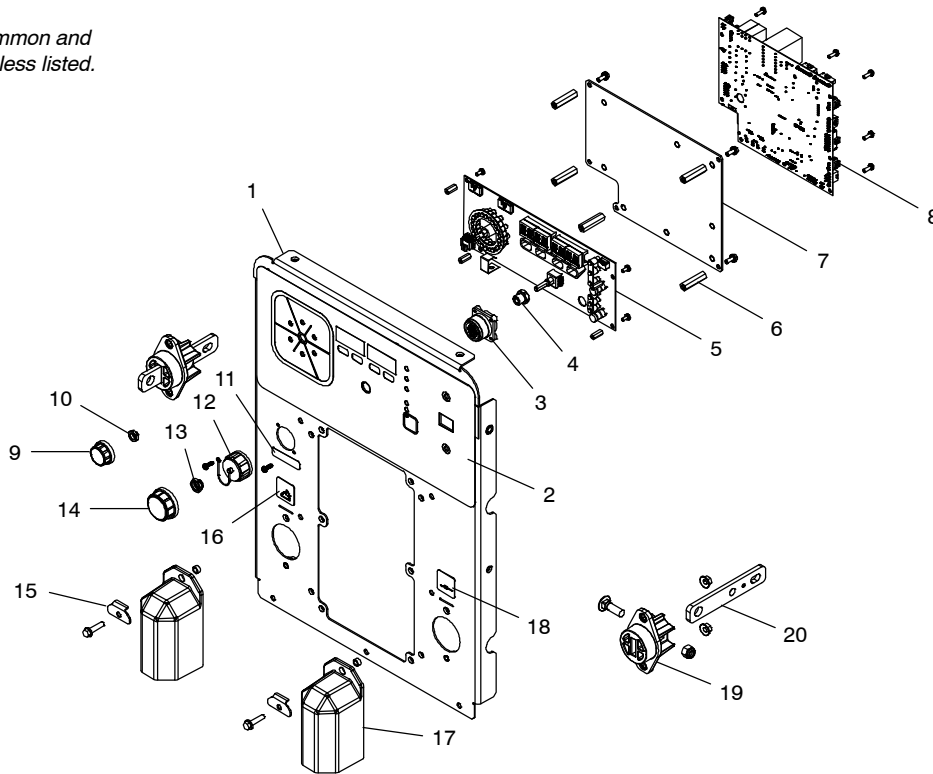
Item No.	Dia. Mkgs.	Part No.	Description	Quantity
Figure 1-5. Main Assembly (Continued)				
.. 44		291045	.. Insulator, Windtunnel/Bus Bar	1
.. 45	PC2	289085	.. Circuit Card Assy, Interconnecting	1
.. 46	L9, L10, L11, L12	241027	.. Core, Toroidal .748 Id X 1.142 Od X .600 Thk	4
.. 47	CT1, CT2	285431	.. Plg Assy, Elect (CT1/CT2)	1
	PLG23, PLG49	290634	.. Harness, Wrg Primary (Includes)	1
	S1	244920	.. Switch, Tgl 3Pst 40A 600VAC Scr Term Wide Tgl	1
	W1	180270	.. Contactor, Def Prp 40A 3P 24VAC Coil W/Boxlug	1
	L8	241027	.. Core, Toroidal .748 Id X 1.142 Od X .600 Thk	1
	PLG38, PLG71	290663	.. Plug, W/Leads Weld Terminal (VFB)	1
	PLG24, PLG19	290696	.. Cable Assy, Current Feedback	1
	PLG8, RC60, RC61, RC62	290844	.. Plugs W/Leads RT2, TP1, TP2, (PR)	1
	PLG37, PLG67	290733	.. Plugs W/Leads ArcReach 8Pin	1
	PLG36, PLG66	290735	.. Plugs W/Leads ArcReach 10Pin	1
	PLG5, RC55	290737	.. Plugs W/Leads Fan Adapter (PR)	1
	PLG4, RC45, RC46	290888	.. Plugs W/Leads Fan (PR)	1
	PLG18, PLG47	285453	.. Plug W/Leads (PC1-PC2)	1
	PLG35	290885	.. Plug W/Leads PR Contactor Assy	1
	PLG27, PLG39	290729	.. Plug W/Leads Inverter VFB	1
		280908	.. Cable, USB 2.0 Male A/Male B 3Ft	1
		262913	.. Kit, Strain Relief 1.250	1

+ When ordering a component originally displaying a precautionary label, the label should also be ordered.

To maintain the factory original performance of your equipment, use only Manufacturer's Suggested Replacement Parts. Model and serial number required when ordering parts from your local distributor.

Eff w/Serial No. ND400560C thru NE050601C

☞ Hardware is common and not available unless listed.



292136-A

Figure 1-6. Front Panel

Item No.	Dia. Mkgs.	Part No.	Description	Quantity
----------	------------	----------	-------------	----------

Figure 1-6. Front Panel

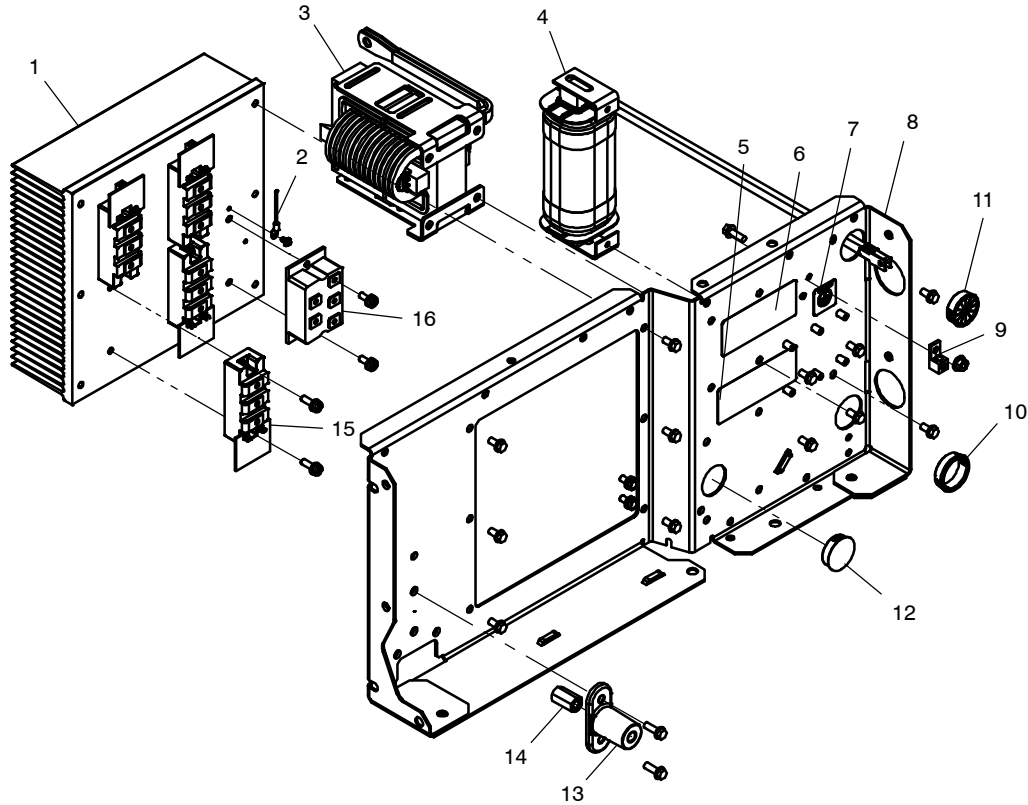
.. 1		290298	.. Panel, Front W/Studs	1
.. 2		290004	.. Label, Controls XMT 650 ArcReach Polarity Reversing	1
.. 3		290849	.. Rcpt, W/Leads 14Pin (PR)	1
.. 4		231470	.. Nut, Adapter Encoder Shaft 375-32 To 500-28	1
.. 5	PC7	290996	.. Circuit Card Assy, Front Panel Ui W/Program	1
.. 6		272486	.. Stand-Off, No 10-32 X 1.500 Lg .375 Hex Al Fem	5
.. 7		290342	.. Panel, Cntrl Brd Mtg W/Stand-Offs	1
.. 8	PC1	290965	.. Circuit Card Assy, Control W/Program	1
.. 9		245663	.. Knob, Encoder 1.250 Dia X .250 id Push On W/Spring	1
.. 10		231468	.. Nut, 375-32 .56Hex .22H Brs Conical Knurl	1
.. 11		186275	.. Label, Remote 14	1
.. 12		268085	.. Conn, Circ Ms Protective Cap Size 20 Nylon	1
.. 13		231469	.. Nut, 500-28 .69Hex .28H Brs Conical Knurl	1
.. 14		213134	.. Knob, Encoder 1.670 Dia X .250 id Push On W/Spring	1
.. 15		268891	.. Washer, Output Stud	2
.. 16		070572	.. Label, Electrode	1
.. 17		264114	.. Boot, Generic Output Stud	2
.. 18		070571	.. Label, Work	1
.. 19		263560	.. Terminal, Pwr Output Black	2
.. 20		263570	.. Bus Bar, Output	2
..	PLG32, 64	280089	.. Plugs, W/Leads Cntrl To UI (7 Pin)	1
..	PLG2, 66	280099	.. Plugs, W/Leads Cntrl To UI (8 Pin)	1

+ When ordering a component originally displaying a precautionary label, the label should also be ordered.

To maintain the factory original performance of your equipment, use only Manufacturer's Suggested Replacement Parts. Model and serial number required when ordering parts from your local distributor.

Eff w/Serial No. ND400560C thru NE050601C

Hardware is common and not available unless listed.



292134-C

Figure 1-7. Wind Tunnel, RH

Item No.	Dia. Mkgs.	Part No.	Description	Quantity
----------	------------	----------	-------------	----------

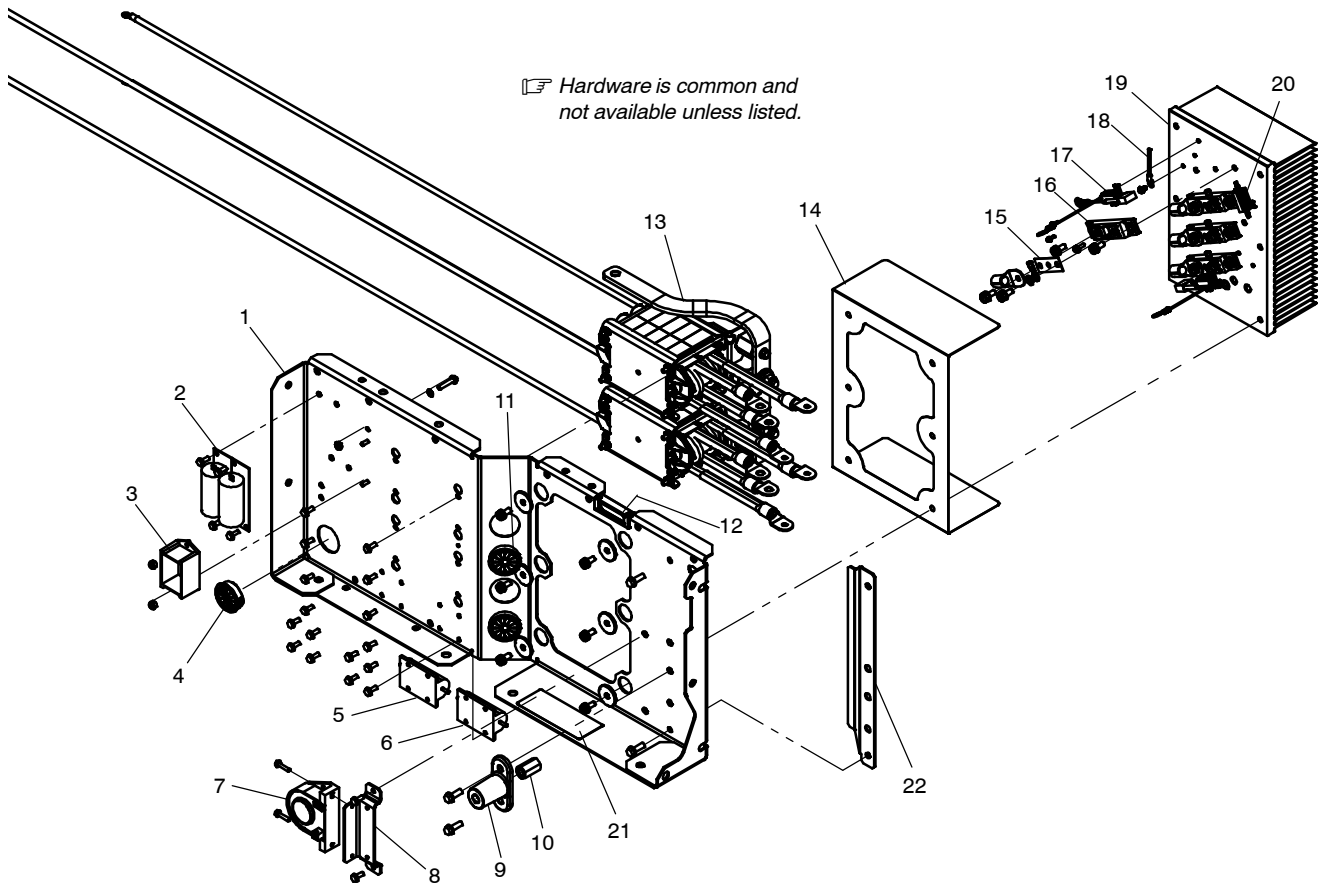
Figure 1-7. Wind Tunnel, RH

.. 1		263555	.. Heat Sink, Power Module	1
.. 2	RT1	199798	.. Thermistor, Ntc 30K Ohm @ 25 Deg C 18.00in2500V	1
.. 3	L2	289935	.. Inductor, Output	1
.. 4	L1	289921	.. Inductor, Input	1
.. 5		272700	.. Label, Warning Electric Shock/Exploding Parts (Sym)	1
.. 6		280754	.. Label, Equipment Terminal	1
.. 7		155436	.. Label, Ground/Protective Earth	1
.. 8		+290490	.. Windtunnel, Rh W/Studs	1
.. 9		145743	.. Lug, Univ W/Scr 600V 2-14 Wire .250 Stud	1
.. 10		170647	.. Bushing, Snap-in Nyl 1.312 id X 1.500 Mtg Hole	1
.. 11		179276	.. Bushing, Snap-in Nyl 1.000 id X 1.375 Mtg Hole Cent	1
.. 12		057360	.. Blank, Snap-in Nyl 1.375 Mtg Hole Black	1
.. 13		264199	.. Stand-off, Insul Bus Bar	1
.. 14		268532	.. Nut, 375-16 .63Hex 1.13H Stl Pld Clr Coupling	1
.. 15	PM1/PC3, PM2/PC4, PM3/PC5, PM4/PC6	295192	.. Kit, Transistor IGBT Module (VISHAY) (Includes 2 Modules)	2
.. 16	SR1	286964	.. Kit, Diode Power Module	1
.....	PLG50/56/57, PLG51/67/68	285500	.. Plug Assy, W/Leads (Gate)	2

+ When ordering a component originally displaying a precautionary label, the label should also be ordered.

To maintain the factory original performance of your equipment, use only Manufacturer's Suggested Replacement Parts. Model and serial number required when ordering parts from your local distributor.

Eff w/Serial No. ND400560C thru NE050601C



292137-B

Figure 1-8. Wind Tunnel, LH

Item No.	Dia. Mkgs.	Part No.	Description	Quantity
----------	------------	----------	-------------	----------

Figure 1-8. Wind Tunnel, LH

.. 1		+290492	.. Windtunnel, Lh	1
.. 2	C5, C6	273124	.. Filter Cap Assy, ArcReach 16uF	2
.. 3	MOD2	290927	.. Filter Assy, Output	1
.. 4		153403	.. Bushing, Snap-In Nyl .750 id X 1.000 Mtg Hole Cent	1
.. 5	R4	291046	.. Resistor W/Leads	1
.. 6	R5	291049	.. Resistor W/Leads	1
.. 7	HD1	168829	.. Transducer, Current 1000A Module Max Open Loop	1
.. 8		290494	.. Bracket, Mtg Lem	1
.. 9		264199	.. Stand-Off, Insul Bus Bar	1
.. 10		268532	.. Nut, 375-16 .63Hex 1.13H Stl Pld Clr Coupling	1
.. 11		245520	.. Bushing, Snap-In Nyl 1.062 Id X 1.500 Mtg Hole Cent	2
.. 12		291044	.. Insulator, Windtunnel/Bus Bar Polarity Reversing	1
.. 13	T1	290493	.. XFMR Assy, Hf W/Bus Bar	1
.. 14		263556	.. Insulator, Heatsink	1
.. 15		286106	.. Bus Bar, Diode	4
.. 16	D1-D4	269909	.. Kit, Diode Power Module (VISHAY)	4
.. 17	R1/C15,R2/C16	266955	.. Resistor/Capacitor Assy	2
.. 18	RT2	173632	.. Thermistor, Ntc 30K Ohm @ 25 Deg C 12.00in. Lead	1
.. 19		263554	.. Heat Sink, Rect Output	1
.. 20	R3	285446	.. Resistor, W/Leads	1
.. 21		272700	.. Label, Warning Electric Shock/Exploding Parts (Stm)	1
.. 22		295212	.. Baffle, LH Windtunnel	1

+ When ordering a component originally displaying a precautionary label, the label should also be ordered.

To maintain the factory original performance of your equipment, use only Manufacturer's Suggested Replacement Parts. Model and serial number required when ordering parts from your local distributor.



PM-291052F

2024-06

Processes



Multiprocess Welding

Description

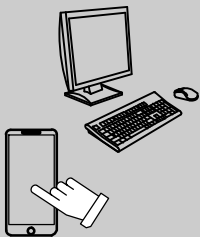
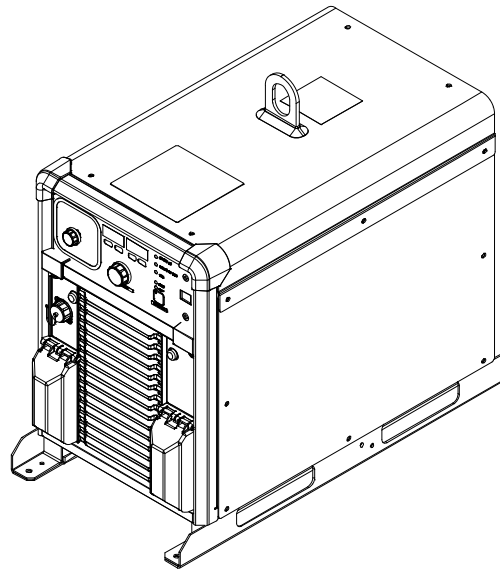


Arc Welding Power Source

XMT[®] 650

ArcReach[®] Polarity Reversing 380V/460V

Eff w/Serial No. NE050601C And Following




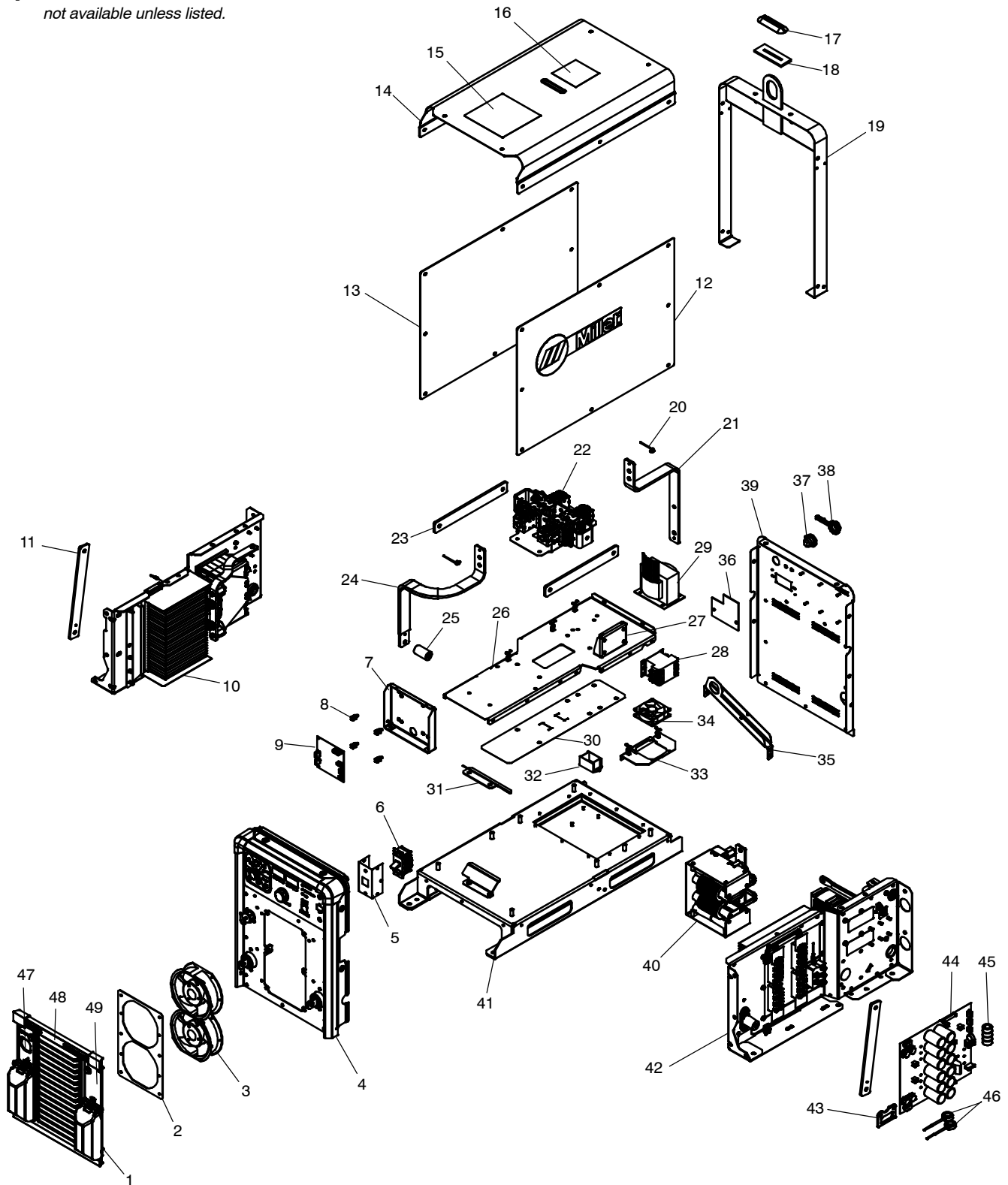
For product information,
Owner's Manual translations,
and more, visit

www.MillerWelds.com

PARTS MANUAL

SECTION 3 – PARTS LIST FOR SERIAL NO. NE050601C AND FOLLOWING

 Hardware is common and not available unless listed.



295334-A

Figure 1-9. Main Assembly

Eff w/Serial No. NE050601C and Following

Item No.	Dia. Mkgs.	Part No.	Description	Quantity
Figure 1-9. Main Assembly				
.. 1		294360	.. Bezel Assy, W/Output Stud Covers	1
.. 2		294365	.. Bracket, Mtg Fan	1
.. 3	.. FM1, FM2	.. 281995	.. Fan, Muffin 115V 60Hz 3400 RPM 6.378 Mtg Holes Tpa2	2
.. 4	.. See Figure 1-10 Panel, Front W/Cmpnts (PR)	1
.. 5		176226	.. Insulator, Switch Power	1
.. 6	.. S1	.. 244920	.. Switch, Tgl 3Pst 40A 600 VAC Scr Term Wide Tgl	1
.. 7		290880	.. Bracket, Mtg PC Board ArcReach	1
.. 8		083147	.. Grommet, Scr No 8/10 Panel Hole .312 Sq .500 High	4
.. 9	.. PC8	.. 288994	.. Circuit Card Assy, ArcReach Transceiver Pr	1
.. 10	.. See Figure 1-12 Windtunnel, Lh W/Cmpnts (PR)	1
.. 11		291627	.. Bus Bar, Polarity Reversing Output Connector	2
.. 12		294574	.. Panel, Side Rh (Includes)	1
		294368	.. Panel, Side	1
		234534	.. Label, Miller	1
		175256	.. Insulator (Not Shown)	1
.. 13		294573	.. Panel, Side Lh (Includes)	1
		294368	.. Panel, Side	1
		234534	.. Label, Miller (Not Shown)	1
.. 14		+294367	.. Cover, Top	1
.. 15		274964	.. Label, Warning General Precautionary (En/Fr/Sp)	1
.. 16		274966	.. Label, Warning Falling Equipment (En/Fr/Sp-Sym)	1
.. 17		232914	.. Seal, Lift Eye	1
.. 18		177279	.. Gasket, Lift Eye	1
.. 19		266958	.. Lift Eye Assy	1
.. 20	.. TP1, TP2	.. 290938	.. Thermostat, NC Open 140C Close 110C W/Plg	2
.. 21		290089	.. Bus Bar, Polarity Reversing ArcReach Inductor	1
.. 22	.. W2-EP1/EN1, .. W3-EP2/EN2	.. 291194	.. Contactor Assy, Polarity Reversing	1
.. 23		291628	.. Bus Bar, Polarity Reversing Output Connector	2
.. 24		290088	.. Bus Bar, Polarity Reversing Output Rectifier	1
.. 25		291707	.. Bus Bar, Lem	1
.. 26		290848	.. Cover, Windtunnel (PR)	1
.. 27		290877	.. Bracket, Mounting Contactor	1
.. 28	.. W1	.. 180270	.. Contactor, Def Prp 40A 3P 24VAC Coil W/Boxlug	1
.. 29	.. T2	.. 290643	.. XFMR, Control 380/460 VAC Pri 305Va 60Hz	1
.. 30		291038	.. Insulator, Polarity Reversing Bus Bar	1
.. 31		272492	.. Baffle, Upper	1
.. 32	.. MOD1	.. 289674	.. Module, ArcReach Coupler XMT 650	1
.. 33		290881	.. Bracket, Mtg Fan	1
.. 34	.. FM3	.. 183918	.. Motor, Fan 24VDC 3000 RPM 43 Cfm W/10 Ohm Resistor	1
.. 35		290489	.. Bracket, Hf Lead Tray	1
.. 36		291581	.. Plate, Rear Panel Blank	1
.. 37	.. RC3	.. 281942	.. Conn, USB Type A/B Rcpt Panel Mtg Sealed	1
.. 38		244237	.. Dust Cap	1
.. 39		294366	.. Panel, Rear W/Studs	1
.. 40	.. L3	.. 290971	.. Inductor, ArcReach PR	1
.. 41		294400	.. Base, W/Cmpnts (Includes)	1
		290264	.. Base, W/Studs	1
		290267	.. Pan, Cmpnt Mtg W/Studs	1
		272493	.. Baffle, Lower	1
.. 42	.. See Figure 1-11 Windtunnel, Rh W/Cmpnts	1

Eff w/Serial No. NE050601C and Following

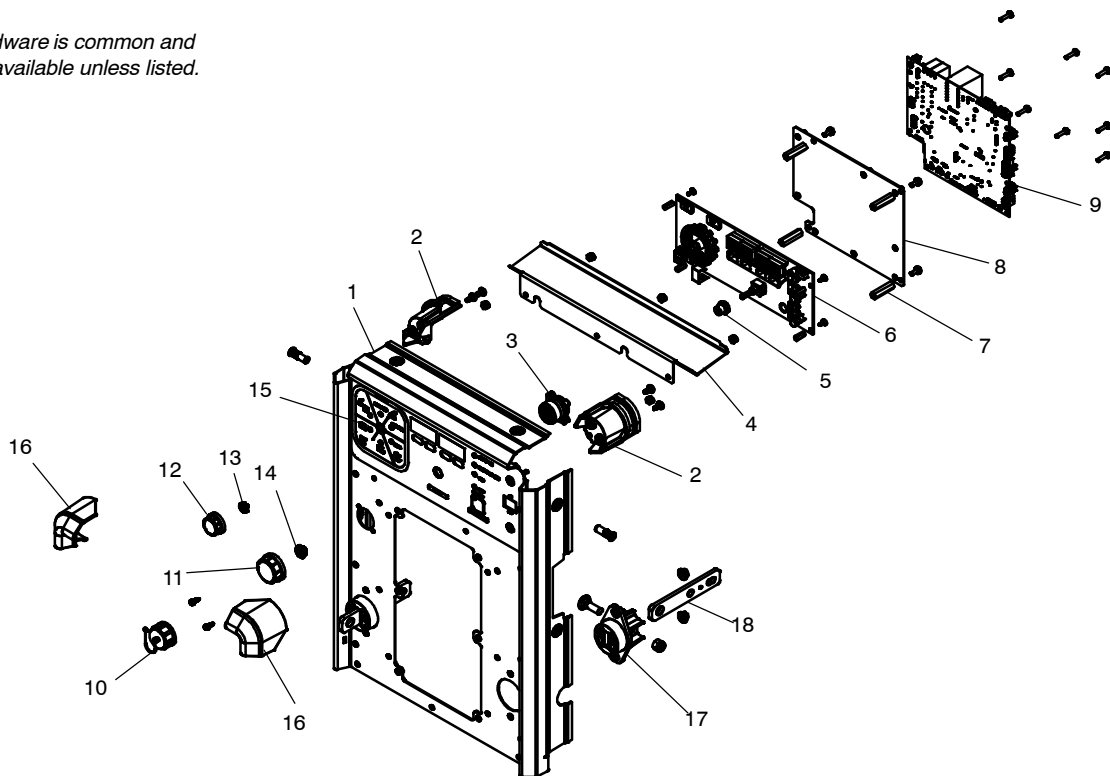
Item No.	Dia. Mkgs.	Part No.	Description	Quantity
Figure 1-9. Main Assembly (Continued)				
.. 43		291045	.. Insulator, Windtunnel/Bus Bar	1
.. 44	PC2	289085	.. Circuit Card Assy, Interconnecting	1
.. 45	L9, L10, L11, L12	241027	.. Core, Toroidal .748 Id X 1.142 Od X .600 Thk	4
.. 46	CT1, CT2	285431	.. Plg Assy, Elect (CT1/CT2)	1
.. 47		295186	.. Label, Connection XMT 650 (Electrode/Remote)	1
.. 48		295179	.. Label, Nameplate XMT 650 ArcReach (PR)	1
.. 49		295189	.. Label, Connection XMT 650 (Work)	1
.....	PLG23, PLG49	290634	.. Harness, Wrg Primary (Includes)	1
.....	S1	244920	.. Switch, Tgl 3Pst 40A 600VAC Scr Term Wide Tgl	1
.....	W1	180270	.. Contactor, Def Prp 40A 3P 24VAC Coil W/Boxlug	1
.....	L8	241027	.. Core, Toroidal .748 Id X 1.142 Od X .600 Thk	1
.....	PLG38, PLG71	290663	.. Plug, W/Leads Weld Terminal (VFB)	1
.....	PLG24, PLG19	290696	.. Cable Assy, Current Feedback	1
.....	PLG8, RC60, RC61, RC62	290844	.. Plugs W/Leads RT2, TP1, TP2, (PR)	1
.....	PLG37, PLG67	290733	.. Plugs W/Leads ArcReach 8Pin	1
.....	PLG36, PLG66	290735	.. Plugs W/Leads ArcReach 10Pin	1
.....	PLG5, RC55	290737	.. Plugs W/Leads Fan Adapter (PR)	1
.....	PLG4, RC45, RC46	290888	.. Plugs W/Leads Fan (PR)	1
.....	PLG18, PLG47	285453	.. Plug W/Leads (PC1-PC2)	1
.....	PLG35	290885	.. Plug W/Leads PR Contactor Assy	1
.....	PLG27, PLG39	290729	.. Plug W/Leads Inverter VFB	1
.....		280908	.. Cable, USB 2.0 Male A/Male B 3Ft	1
.....		262913	.. Kit, Strain Relief 1.250	1

+ When ordering a component originally displaying a precautionary label, the label should also be ordered.

To maintain the factory original performance of your equipment, use only Manufacturer's Suggested Replacement Parts. Model and serial number required when ordering parts from your local distributor.

Eff w/Serial No. NE050601C and Following

☞ Hardware is common and not available unless listed.



295344-A

Figure 1-10. Front Panel

Item No.	Dia. Mkgs.	Part No.	Description	Quantity
----------	------------	----------	-------------	----------

Figure 1-10. Front Panel

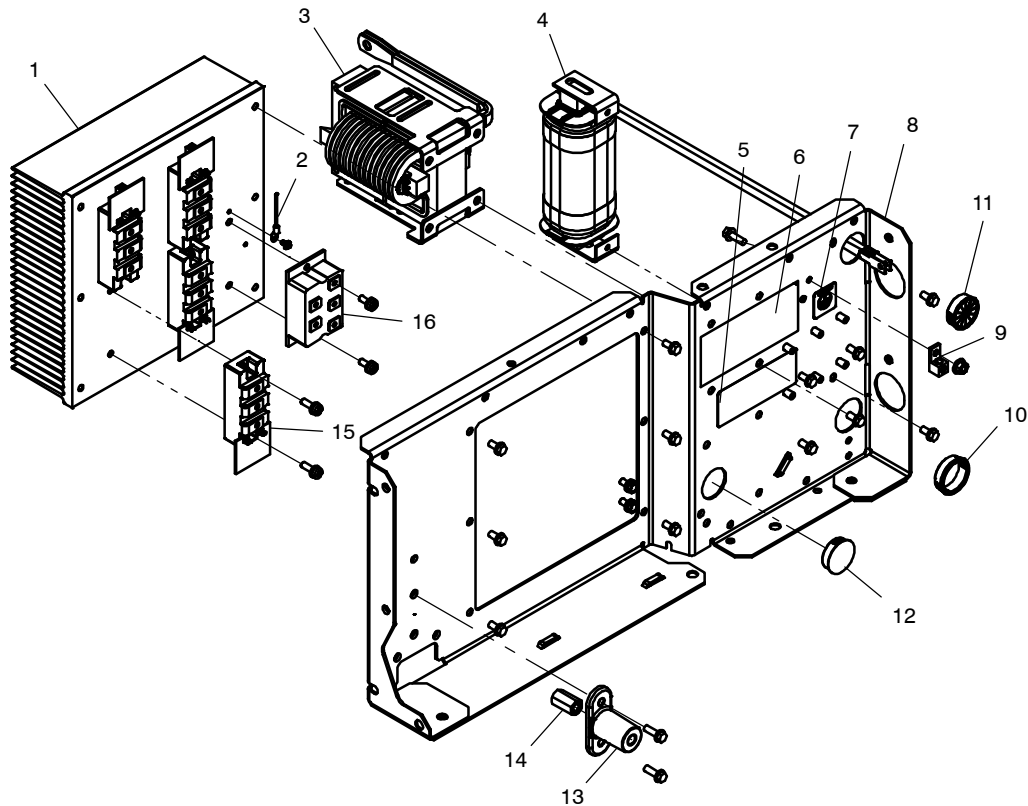
.. 1	..	+294364	.. Panel, Front W/Studs	.. 1
.. 2	..	294358	.. Bracket, Corner Inner	.. 2
.. 3	..	290742	.. Rcpt, W/Leads 14Pin (NPR)	.. 1
.. 4	..	295258	.. Bracket, Diverter	.. 1
.. 5	..	231470	.. Nut, Adapter Encoder Shaft Mtg 375-32 to 500-28	.. 1
.. 6	..	290996	.. Circuit Card Assy, Front Panel UI W/Program	.. 1
.. 7	..	272486	.. Stand-Off, No 10-32 X 1.500 Lg .375 Hex Al Fem	.. 4
.. 8	..	294402	.. Panel, Cntrl Brd Mtg W/Stand-Offs	.. 1
.. 9	..	290965	.. Circuit Card Assy, Control W/Program	.. 1
.. 10	..	268085	.. Conn, Circ MS Protective Cap Size 20 Nylon	.. 1
.. 11	..	213134	.. Knob, Encoder 1.670 Dia X .250 Id Push-On W/Spring	.. 1
.. 12	..	245663	.. Knob, Encoder 1.250 Dia X .250 Id Push-On W/Spring	.. 1
.. 13	..	231468	.. Nut, 375-32 .56Hex .22H Brs Conical Knurl	.. 1
.. 14	..	231469	.. Nut, 500-28 .69Hex .28H Brs Conical Knurl	.. 1
.. 15	..	295175	.. Label, Controls XMT 650 ArcReach (PR)	.. 1
.. 16	..	294359	.. Bracket, Corner Outer	.. 2
.. 17	..	263560	.. Terminal, Pwr Output Black	.. 1
.. 18	..	263570	.. Bus Bar, Output	.. 1
..	..	PLG32, 64	.. Plugs, W/Leads Cntrl To UI (7 Pin)	.. 1
..	..	PLG2, 66	.. Plugs, W/Leads Cntrl To UI (8 Pin)	.. 1

+ When ordering a component originally displaying a precautionary label, the label should also be ordered.

To maintain the factory original performance of your equipment, use only Manufacturer's Suggested Replacement Parts. Model and serial number required when ordering parts from your local distributor.

Eff w/Serial No. NE050601C and Following

☞ Hardware is common and not available unless listed.



292134-D

Figure 1-11. Wind Tunnel, RH

Item No.	Dia. Mkgs.	Part No.	Description	Quantity
----------	------------	----------	-------------	----------

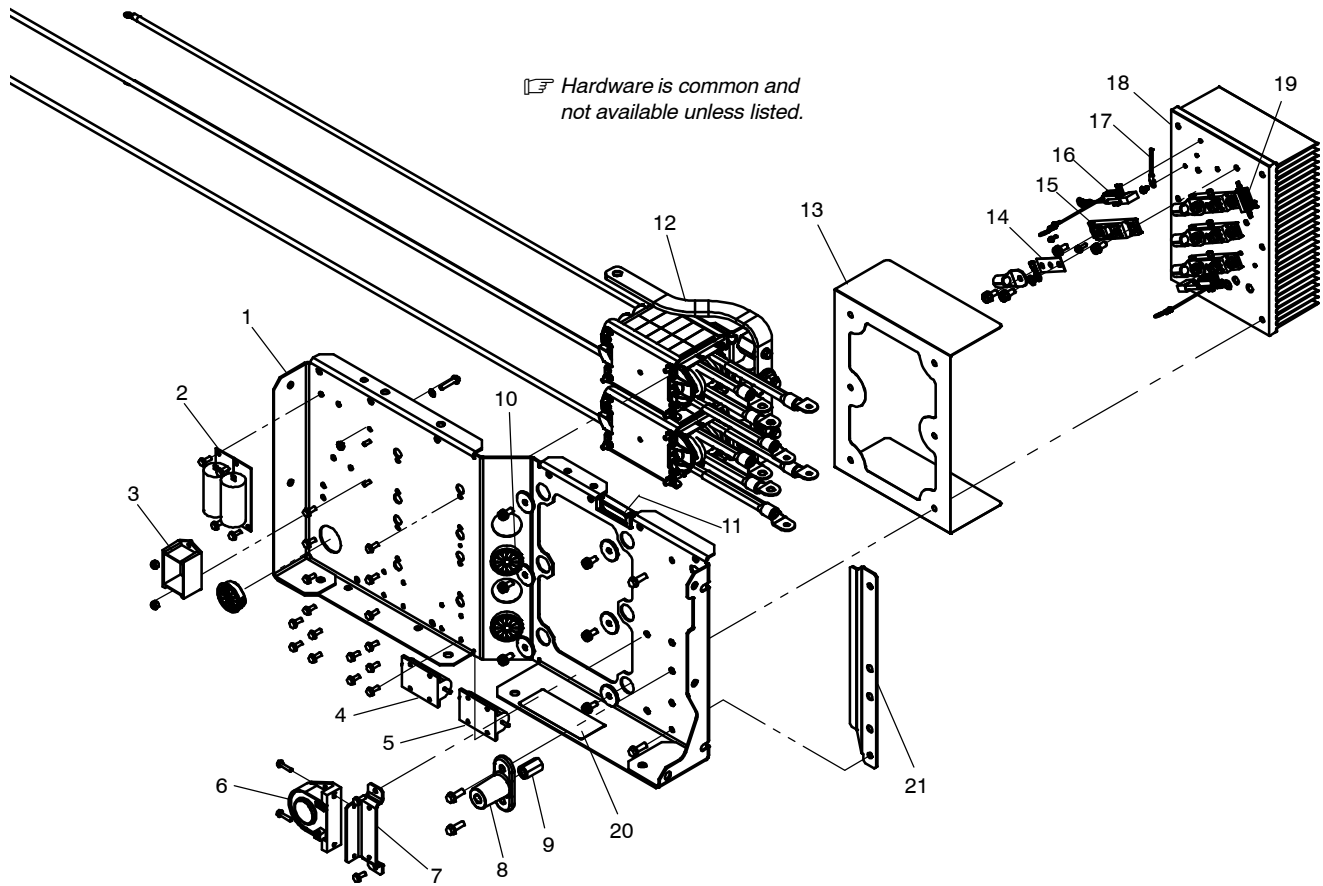
Figure 1-11. Wind Tunnel, RH

.. 1		263555	.. Heat Sink, Power Module	1
.. 2	RT1	199798	.. Thermistor, Ntc 30K Ohm @ 25 Deg C 18.00in2500V	1
.. 3	L2	289935	.. Inductor, Output	1
.. 4	L1	289921	.. Inductor, Input	1
.. 5		272700	.. Label, Warning Electric Shock/Exploding Parts (Sym)	1
.. 6		291642	.. Label, Warning Input Conn/Elect Shock (EN/FR/SP)	1
.. 7		155436	.. Label, Ground/Protective Earth	1
.. 8		+290490	.. Windtunnel, Rh W/Studs	1
.. 9		145743	.. Lug, Univ W/Scr 600V 2-14 Wire .250 Stud	1
.. 10		170647	.. Bushing, Snap-in Nyl 1.312 id X 1.500 Mtg Hole	1
.. 11		179276	.. Bushing, Snap-in Nyl 1.000 id X 1.375 Mtg Hole Cent	1
.. 12		057360	.. Blank, Snap-in Nyl 1.375 Mtg Hole Black	1
.. 13		264199	.. Stand-off, Insul Bus Bar	1
.. 14		268532	.. Nut, 375-16 .63Hex 1.13H Stl Pld Clr Coupling	1
.. 15	PM1/PC3, PM2/PC4, PM3/PC5, PM4/PC6	295192	.. Kit, Transistor IGBT Module (VISHAY) (Includes 2 Modules)	2
.. 16	SR1	286964	.. Kit, Diode Power Module	1
.....	PLG50/56/57, PLG51/67/68	285500	.. Plug Assy, W/Leads (Gate)	2

+ When ordering a component originally displaying a precautionary label, the label should also be ordered.

To maintain the factory original performance of your equipment, use only Manufacturer's Suggested Replacement Parts. Model and serial number required when ordering parts from your local distributor.

Eff w/Serial No. NE050601C and Following



292137-B

Figure 1-12. Wind Tunnel, LH

Item No.	Dia. Mkgs.	Part No.	Description	Quantity
----------	------------	----------	-------------	----------

Figure 1-12. Wind Tunnel, LH

.. 1		+290492	.. Windtunnel, Lh	.. 1
.. 2	C5, C6	273124	.. Filter Cap Assy, ArcReach 16uF	.. 2
.. 3	MOD2	290927	.. Filter Assy, Output	.. 1
.. 4	R4	291046	.. Resistor W/Leads	.. 1
.. 5	R5	291049	.. Resistor W/Leads	.. 1
.. 6	HD1	168829	.. Transducer, Current 1000A Module Max Open Loop	.. 1
.. 7		290494	.. Bracket, Mtg Lem	.. 1
.. 8		264199	.. Stand-Off, Insul Bus Bar	.. 1
.. 9		268532	.. Nut, 375-16 .63Hex 1.13H Stl Pld Clr Coupling	.. 1
.. 10		245520	.. Bushing, Snap-In Nyl 1.062 Id X 1.500 Mtg Hole Cent	.. 3
.. 11		291044	.. Insulator, Windtunnel/Bus Bar Polarity Reversing	.. 1
.. 12	T1	290493	.. XFMR Assy, Hf W/Bus Bar	.. 1
.. 13		263556	.. Insulator, Heatsink	.. 1
.. 14		286106	.. Bus Bar, Diode	.. 4
.. 15	D1-D4	269909	.. Kit, Diode Power Module (VISHAY)	.. 4
.. 16	R1/C15,R2/C16	266955	.. Resistor/Capacitor Assy	.. 2
.. 17	RT2	199798	.. Thermistor, Ntc 30K Ohm @ 25 Deg C 18.00In2500V	.. 1
.. 18		263554	.. Heat Sink, Rect Output	.. 1
.. 19	R3	285446	.. Resistor, W/Leads	.. 1
.. 20		272700	.. Label, Warning Electric Shock/Exploding Parts (Stm)	.. 1
.. 21		295212	.. Baffle, LH Windtunnel	.. 1

+ When ordering a component originally displaying a precautionary label, the label should also be ordered.

To maintain the factory original performance of your equipment, use only Manufacturer's Suggested Replacement Parts. Model and serial number required when ordering parts from your local distributor.

Miller Electric Mfg. LLC

An Illinois Tool Works Company
1635 West Spencer Street
Appleton, WI 54914 USA

International Headquarters—USA

USA Phone: 920-735-4505 Auto-Attended
USA & Canada FAX: 920-735-4134
International FAX: 920-735-4125

For International Locations Visit

www.MillerWelds.com

