



OM-254203H

2020-02

Processes



TIG (GTAW) Welding

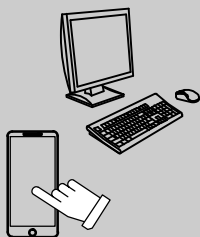
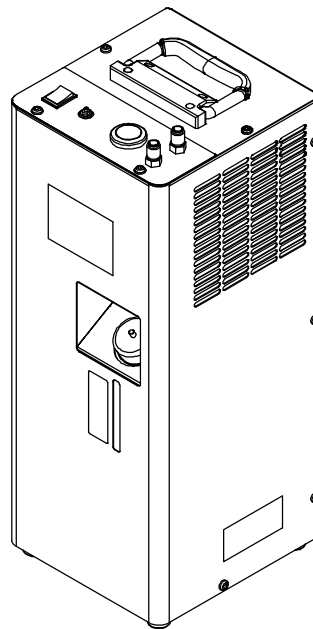


MIG (GMAW) Welding

Description



Hydracool 1 CE



For product information,
Owner's Manual translations,
and more, visit

www.MillerWelds.com

OWNER'S MANUAL

From Miller to You

Thank you and congratulations on choosing Miller. Now you can get the job done and get it done right. We know you don't have time to do it any other way.

That's why when Niels Miller first started building arc welders in 1929, he made sure his products offered long-lasting value and superior quality. Like you, his customers couldn't afford anything less. Miller products had to be more than the best they could be. They had to be the best you could buy.

Today, the people that build and sell Miller products continue the tradition. They're just as committed to providing equipment and service that meets the high standards of quality and value established in 1929.

This Owner's Manual is designed to help you get the most out of your Miller products. Please take time to read the Safety Precautions. They will help you protect yourself against potential hazards on the worksite. We've made installation and operation quick and easy. With Miller, you can count on years of reliable service with proper maintenance. And if for some reason the unit needs repair, there's a Troubleshooting section that will help you figure out what the problem is, and our extensive service network is there to help fix the problem. Warranty and maintenance information for your particular model are also provided.



Miller Electric manufactures a full line of welders and welding-related equipment. For information on other quality Miller products, contact your local Miller distributor to receive the latest full line catalog or individual catalog sheets.



Working as hard as you do – every power source from Miller is backed by the most hassle-free warranty in the business.

TABLE OF CONTENTS

SECTION 1 – SAFETY PRECAUTIONS - READ BEFORE USING	1
1-1. Symbol Usage	1
1-2. Cooling Equipment Hazards	1
1-3. Additional Hazards For Installation, Operation, And Maintenance	1
1-4. California Proposition 65 Warnings	2
1-5. Principal Safety Standards	2
SECTION 2 – DEFINITIONS	3
2-1. Additional Safety Symbols And Definitions	3
2-2. Miscellaneous Symbols And Definitions	4
SECTION 3 – SPECIFICATIONS	5
3-1. Serial Number And Rating Label Location	5
3-2. Specifications*	5
3-3. Coolant Specifications	5
3-4. Environmental Specifications	5
SECTION 4 – INSTALLATION	6
4-1. Selecting A Location	6
SECTION 5 – OPERATION	7
5-1. Control Panel Hydracool 1	7
SECTION 6 – MAINTENANCE & TROUBLESHOOTING	7
6-1. Routine Maintenance	7
6-2. Coolant Maintenance	8
6-3. Troubleshooting	8
SECTION 7 – ELECTRICAL DIAGRAM	9
WARRANTY	



DECLARATION OF CONFORMITY

for European Community (CE marked) products.

ITW Welding Products B.V. Edisonstraat 10, 3261 LD Oud-Beijerland, Netherlands, declares that the product(s) identified in this declaration conform to the essential requirements and provisions of the stated Council Directive(s) and Standard(s).

Product/Apparatus Identification:

Product	Stock Number
HYDRACOOOL 1 V.115 50/60HZ	028042103

Council Directives:

- 2014/35/EU Low Voltage
- 2014/30/EU Electromagnetic Compatibility
- 2011/65/EU Restriction of the use of certain hazardous substances in electrical and electronic equipment

Standards:

- IEC 60974-2:2013 Arc Welding Equipment – Part 3: Liquid cooling systems
- IEC 60974-10:2014+A1:2015 Arc Welding Equipment – Part 10: Electromagnetic Compatibility Requirements

EU Signatory:

Pieter Keultjes

November 4th, 2019

Date of Declaration

Equipment Technical Manager - EMEAR

956172368

SECTION 1 – SAFETY PRECAUTIONS - READ BEFORE USING

coolers 2020-02

 Protect yourself and others from injury — read, follow, and save these important safety precautions and operating instructions.

1-1. Symbol Usage



DANGER! – Indicates a hazardous situation which, if not avoided, will result in death or serious injury. The possible hazards are shown in the adjoining symbols or explained in the text.



Indicates a hazardous situation which, if not avoided, could result in death or serious injury. The possible hazards are shown in the adjoining symbols or explained in the text.

NOTICE – Indicates statements not related to personal injury.

 Indicates special instructions.



This group of symbols means Warning! Watch Out! ELECTRIC SHOCK, MOVING PARTS, and HOT PARTS hazards. Consult symbols and related instructions below for necessary actions to avoid these hazards.

1-2. Cooling Equipment Hazards



The symbols shown below are used throughout this manual to call attention to and identify possible hazards. When you see the symbol, watch out, and follow the related instructions to avoid the hazard. The safety information given below is only a summary of the more complete safety information found in the Principal Safety Standards listed in Section 1-5. Read and follow all Safety Standards.



Only qualified persons should install, operate, maintain, and repair this equipment. A qualified person is defined as one who, by possession of a recognized degree, certificate, or professional standing, or who by extensive knowledge, training and experience, has successfully demonstrated the ability to solve or resolve problems relating to the subject matter, the work, or the project and has received safety training to recognize and avoid the hazards involved.

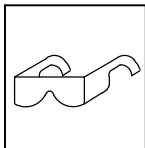


During operation, keep everybody, especially children, away.



HOT PARTS can burn.

- Do not touch hot parts bare handed.
- Allow cooling period before working on equipment.
- To handle hot parts, use proper tools and/or wear heavy, insulated welding gloves and clothing to prevent burns.



FLYING METAL or DIRT can injure eyes.

- Wear approved safety glasses with side shields even under your welding helmet.



ELECTRIC SHOCK can kill.

Touching live electrical parts can cause fatal shocks or severe burns. The input power circuit and machine internal circuits are also live when power is on. Incorrectly installed or improperly grounded equipment is a hazard.

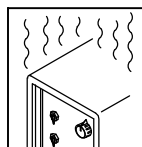
- Do not touch live electrical parts.
- Disconnect input power or stop engine before installing or servicing this equipment. Lockout/tagout input power according to OSHA 29 CFR 1910.147 (see Safety Standards).
- Properly install, ground, and operate this equipment according to its Owner's Manual and national, state, and local codes.
- Always verify the supply ground – check and be sure that input power cord ground wire is properly connected to ground terminal in disconnect box or that cord plug is connected to a properly grounded receptacle outlet.
- Keep cords dry, free of oil and grease, and protected from hot metal and sparks.
- Frequently inspect input power cord and ground conductor for damage or bare wiring – replace immediately if damaged – bare wiring can kill.
- Turn off all equipment when not in use.
- Use only well-maintained equipment. Repair or replace damaged parts at once. Maintain unit according to manual.
- Keep all panels and covers securely in place.

1-3. Additional Hazards For Installation, Operation, And Maintenance



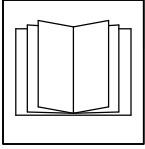
FALLING EQUIPMENT can injure.

- Use correct procedures and equipment of adequate capacity to lift and support unit.
- If using lift forks to move unit, be sure forks are long enough to extend beyond opposite side of unit.
- Keep equipment (cables and cords) away from moving vehicles when working from an aerial location.
- Follow the guidelines in the Applications Manual for the Revised NIOSH Lifting Equation (Publication No. 94-110) when manually lifting heavy parts or equipment.



OVERUSE can cause OVERHEATING

- Allow cooling period; follow rated duty cycle.
- Do not block or filter airflow to unit.



READ INSTRUCTIONS.

- Read and follow all labels and the Owner's Manual carefully before installing, operating, or servicing unit. Read the safety information at the beginning of the manual and in each section.
- Use only genuine replacement parts from the manufacturer.
- Perform installation, maintenance, and service according to the Owner's Manuals, industry standards, and national, state, and local codes.
- Read and understand the Safety Data Sheets (SDSs) and the manufacturer's instructions for adhesives, coatings, cleaners, consumables, coolants, degreasers, fluxes, and metals.



STEAM AND HOT COOLANT can burn.

Hose may rupture if coolant overheats.

- Visually inspect condition of hoses before each use. Do not use damaged hoses.
- Allow cooling period before working on equipment.



HIGH PRESSURE FLUIDS can injure or kill.

- Coolant can be under high pressure.
- Release pressure before working on cooler.
- If ANY fluid is injected into the skin or body seek medical help immediately.



MOVING PARTS can injure.

- Keep away from moving parts such as fans.
- Keep all doors, panels, covers, and guards closed and securely in place.
- Have only qualified persons remove doors, panels, covers, or guards for maintenance and troubleshooting as necessary.
- Reinstall doors, panels, covers, or guards when maintenance is finished and before reconnecting input power.

1-4. California Proposition 65 Warnings

⚠ WARNING: This product can expose you to chemicals including lead, which are known to the state of California to cause cancer and birth defects or other reproductive harm.

For more information, go to www.P65Warnings.ca.gov.

1-5. Principal Safety Standards

Safety in Welding, Cutting, and Allied Processes, American Welding Society standard ANSI Standard Z49.1. Website: www.aws.org.

Safe Practices for the Preparation of Containers and Piping for Welding and Cutting, American Welding Society Standard AWS F4.1 from Global Engineering Documents. Website: www.global.ihs.com.

Safe Practices for Welding and Cutting Containers that have Held Combustibles, American Welding Society Standard AWS A6.0 from Global Engineering Documents. Website: www.global.ihs.com.

National Electrical Code, NFPA Standard 70 from National Fire Protection Association. Website: www.nfpa.org and www.sparky.org.

Safe Handling of Compressed Gases in Cylinders, CGA Pamphlet P-1 from Compressed Gas Association. Website: www.cganet.com.

Safety in Welding, Cutting, and Allied Processes, CSA Standard W117.2 from Canadian Standards Association. Website: www.csagroup.org.

Safe Practice For Occupational And Educational Eye And Face Protection, ANSI Standard Z87.1 from American National Standards Institute. Website: www.ansi.org.

Standard for Fire Prevention During Welding, Cutting, and Other Hot Work, NFPA Standard 51B from National Fire Protection Association. Website: www.nfpa.org.

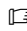
OSHA Occupational Safety and Health Standards for General Industry, Title 29, Code of Federal Regulations (CFR), Part 1910.177 Subpart N, Part 1910 Subpart Q, and Part 1926, Subpart J. Website: www.osha.gov.



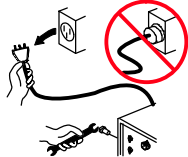


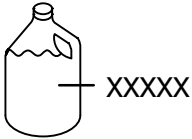

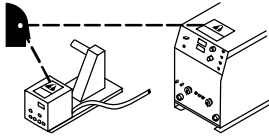
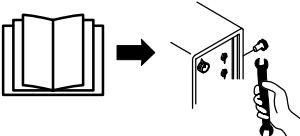
OSHA Important Note Regarding the ACGIH TLV, Policy Statement on the Uses of TLVs and BEIs. Website: www.osha.gov.

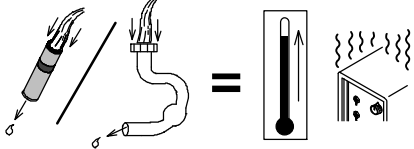
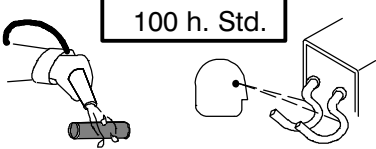
Applications Manual for the Revised NIOSH Lifting Equation from the National Institute for Occupational Safety and Health (NIOSH). Website: www.cdc.gov/NIOSH.

SECTION 2 – DEFINITIONS



2-1. Additional Safety Symbols And Definitions




 Some symbols are found only on CE products.

	<p>Warning! Watch Out! There are possible hazards as shown by the symbols.</p> <p style="text-align: right;">Safe1 2012-05</p>
	<p>Do not discard product (where applicable) with general waste. Reuse or recycle Waste Electrical and Electronic Equipment (WEEE) by disposing at a designated collection facility. Contact your local recycling office or your local distributor for further information.</p> <p style="text-align: right;">Safe37 2017-04</p>
	<p>Disconnect input plug or power before working on machine.</p> <p style="text-align: right;">Safe5 2017-04</p>
	<p>Do not remove or paint over (cover) the label.</p> <p style="text-align: right;">Safe20 2017-04</p>
	<p>Recycle.</p> <p style="text-align: right;">Safe103 2012-09</p>
	<p>Use coolant suggested by the manufacturer.</p> <p style="text-align: right;">Safe52 2012-05</p>
	<p>Please drain fluid according to instructions.</p> <p style="text-align: right;">2012-05</p>
	<p>Read the labels on the welding power source, wire feeder, or other major equipment for welding safety information.</p> <p style="text-align: right;">Safe71 2012-06</p>
	<p>Read the Owner's Manual before working on this machine.</p> <p style="text-align: right;">Safe70 2012-06</p>

	<p>Plugged filter or hoses can cause overheating to the power source and torch.</p> <p style="text-align: right;">Safe50 2012-05</p>
	<p>Every 100 hours, check and clean filter and check condition of hoses.</p> <p style="text-align: right;">Safe51 2012-05</p>

2-2. Miscellaneous Symbols And Definitions

A	Amperage
~	Alternating Current
⤵V	Voltage Input
	Circulating Unit With Coolant Pump
V	Voltage
	Water (Coolant) Input

	Water (Coolant) Output
	Line Connection
	Protective Earth (Ground)
IP	Degree of Protection
I ₁	Primary Current

Hz	Hertz
I	On
O	Off
U ₁	Primary Voltage
1~	Single Phase

Notes

SECTION 3 – SPECIFICATIONS

3-1. Serial Number And Rating Label Location

The serial number and rating information for this product is located on the back panel. Use rating label to determine input power requirements and/or rated output. For future reference, write serial number in space provided on cover of this manual.

3-2. Specifications*

Model	Coolant Tank Capacity	Maximum Cooling Capacity	Input Power	Input Power Cord with Plug	Dimensions	Weight
Hydracool 1	8 L	1670 Watts (5698 BTU/hr) 1.0 L/min (1.1 qt/min)	Single Phase 115 VAC 50/60 Hz 2.5 Amperes	2 m	Length: 305 mm Height: 674 mm Width: 263 mm	20.7 kg
	8 L	1670 Watts (5698 BTU/hr) 1.0 L/min (1.1 qt/min)	Single Phase 230 VAC 50/60 Hz 1.3 Amperes	2 m**	Length: 305 mm Height: 674 mm Width: 263 mm	20.7 kg

*IEC Cooling Capacity States That The Water Inlet Temperature Can Not Exceed 40°C Above Ambient Temperature At A 1l/ Min Flow Rate.
 **Plug Is Customer Supplied.
 Recirculating Coolant System For Water-Cooled GTAW Torches And GMAW Guns.
 Use With Guns/Torches Rated Up To 600 Amperes.

3-3. Coolant Specifications

 Do not use conductive coolant.

Application	Coolant
GTAW Or Where High Frequency Current Is Used	Coolant 050024004 Low Conductivity Coolant 043810* Distilled Or Deionized Water Okay Above 0°C (32°F)
GMAW Or Where High Frequency Current Is Not Used	Coolant 050024004 Low Conductivity Coolant 043810* Aluminum Protecting Coolant 043809* Distilled Or Deionized Water Okay Above 0°C (32°F)
Where Coolant Contacts Aluminum Parts	Aluminum Protecting Coolant 043809*

*Coolants 043810 and 043809 protect to -38°C (-37°F) and resist algae growth.
NOTICE – Use of any coolant other than those listed in the table voids the warranty on any parts that come in contact with the coolant (pump, radiator, etc.).


3-4. Environmental Specifications

A. IP Rating

IP Rating
Hydracool 1 IP21 This equipment is designed for indoor use and is not intended to be used or stored outside.

IP21 2014-06

B. Information On Electromagnetic Compatibility (EMC)

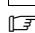
 This Class A equipment is not intended for use in residential locations where the electrical power is provided by the public low-voltage supply system. There can be potential difficulties in ensuring electromagnetic compatibility in those locations, due to conducted as well as radiated disturbances.
This equipment complies with IEC 61000-3-11 and IEC 61000-3-12.

ce-emc 4 2014-07

C. Temperature Specifications

Operating Temperature Range	Storage/Transportation Temperature Range
-10 to 40°C (14 to 104 °F)	20 to 25°C (68 to 77 °F)

Temp1_2016-08

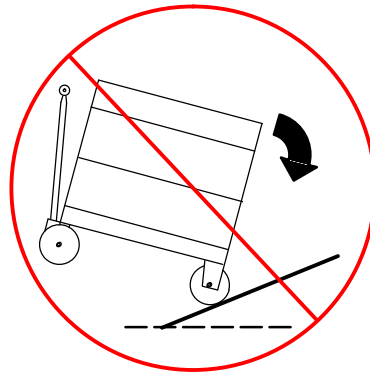
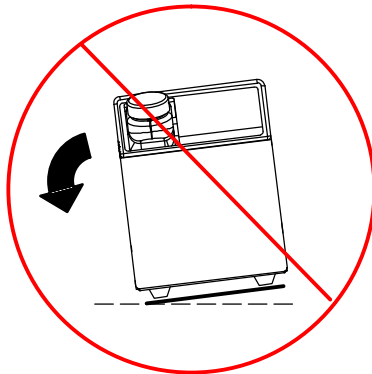
 The correction factor on the cooling power at an ambient temperature of 40 °C (104 °F) is 0.625.

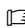
SECTION 4 – INSTALLATION

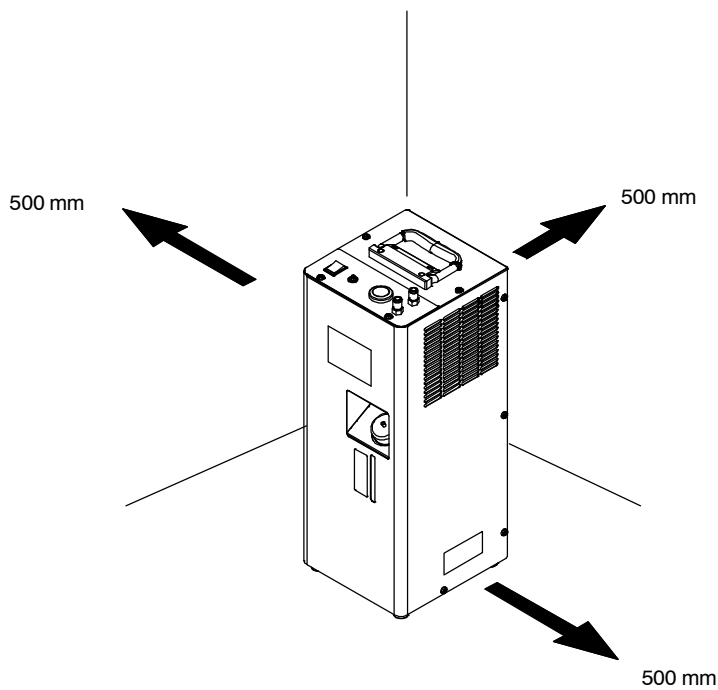
4-1. Selecting A Location



⚠ Do not move or operate unit where it could tip.



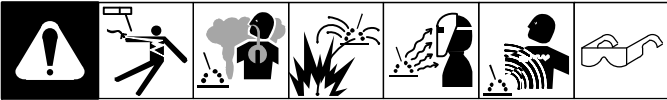
 Position unit so air can circulate.



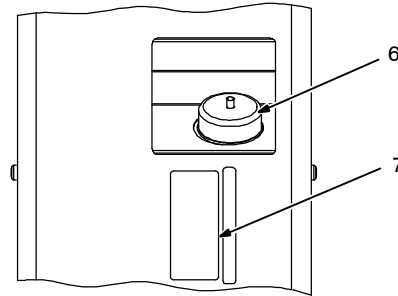
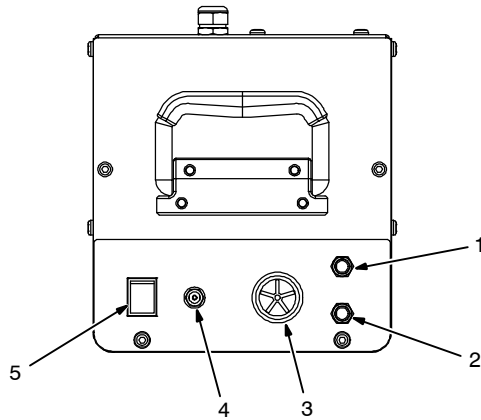
956142899_1-A, 956142900_1-A

SECTION 5 – OPERATION

5-1. Control Panel Hydracool 1



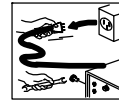
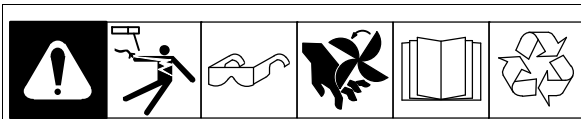
- 1 Quick Connect; Water In
- 2 Quick Connect; Water Out
- 3 Flow Indicator
- 4 Circuit Breaker (CB1)
- 5 Power On/Off switch
- 6 Tank Filler Neck
- 7 Coolant level Indicator



956142899_2-A

SECTION 6 – MAINTENANCE & TROUBLESHOOTING

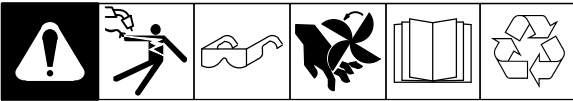
6-1. Routine Maintenance



⚠ Disconnect power before maintaining.

	✓ = Check	◇ = Change	● = Clean	△ = Repair	☆ = Replace
<p>⌚</p> <p>* To be done by Factory Authorized Service Agent</p>					
<p>Every 3 Months</p> <p>● Clean coolant strainer. Severe conditions may require more frequent cleaning (continuous use, high/low temperatures, dirty environment, etc.). Failure to properly clean coolant strainer voids pump warranty.</p> <p>● Blow out heat exchanger fins. ✓ Check coolant level. Top off with distilled or deionized water if necessary.</p>					
<p>Every 6 Months</p> <p>✓ ☆ Hoses</p> <p>✓ ☆ Labels</p> <p>Change Coolant (If Using Water)</p> <p>◇ Replace coolant.</p>					
<p>Every 12 Months</p> <p>Change Coolant (If Using Miller Coolant)</p> <p>◇ Replace coolant.</p>					

6-2. Coolant Maintenance



⚠ Disconnect cooler plug from welding power source receptacle before maintaining.

⚠ Dispose of used coolant according to national, state, and local codes. Do not pour down drain.

Changing Coolant

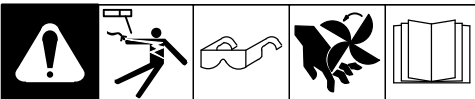
Drain coolant by tipping unit forward. Fill with clean water and run for 10 minutes. Drain and refill.

NOTICE – If replacing hoses, use hoses compatible with ethylene glycol, such as Buna-n, Neoprene, or Hypalon. oxy-acetylene hoses are not compatible with any product containing ethylene glycol.

Contact Factory Authorized Service Agent to clean or change filter.

Ref. coolmaint_2016-08

6-3. Troubleshooting

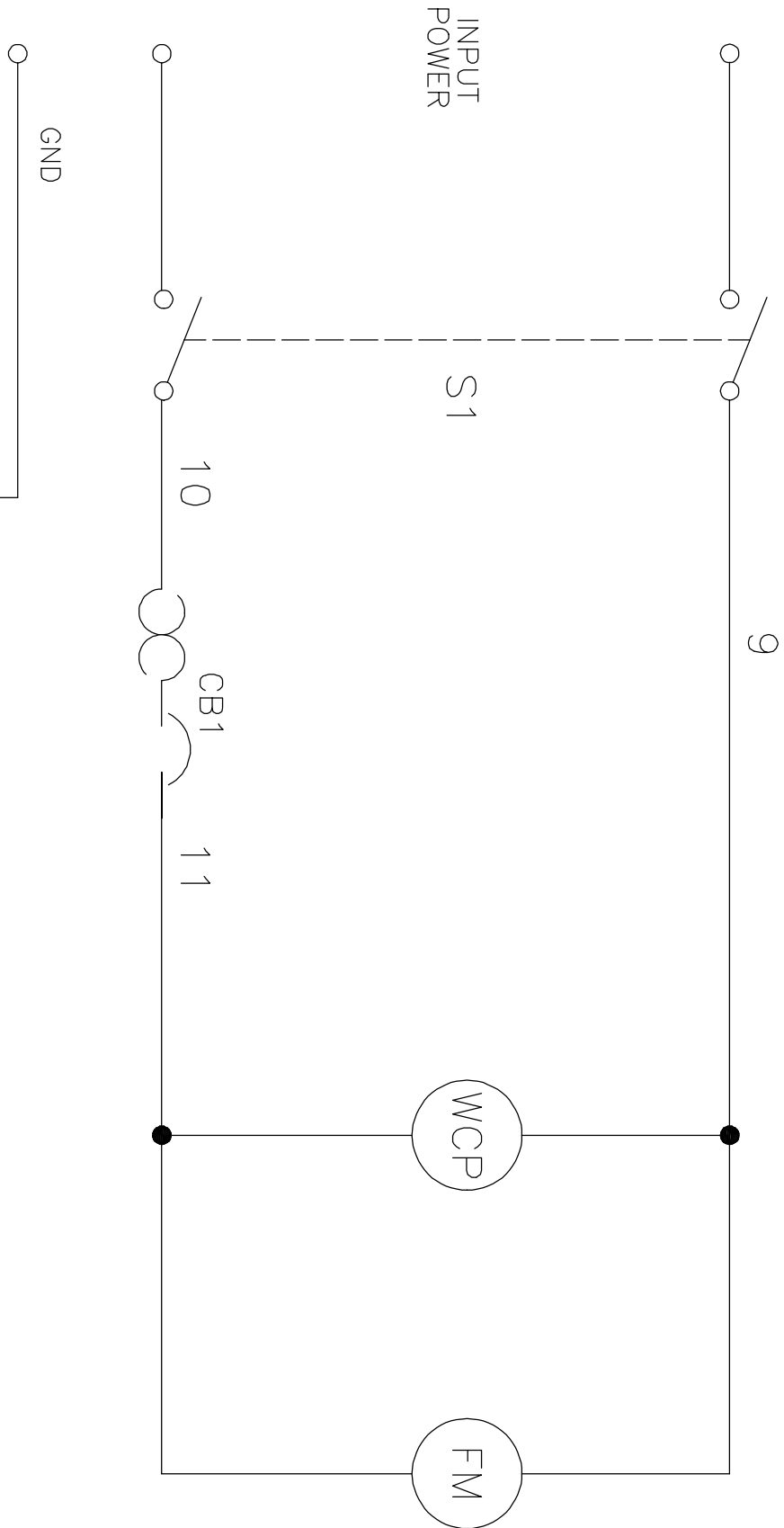


Trouble	Remedy
Coolant system does not work.	Be sure input power cord is plugged in to energized receptacle.
	Check circuit breakers on cooler and welding power source, and reset if necessary.
	Motor overheated. Unit starts running when motor has cooled.
	Have Factory Authorized Service Agent check Power switch, capacitor, and motor.
Decreased or no coolant flow.	Add coolant.
	Check for clogged or damaged hoses.
	Check in-line filter, clean if required.

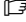
SECTION 7 - ELECTRICAL DIAGRAM

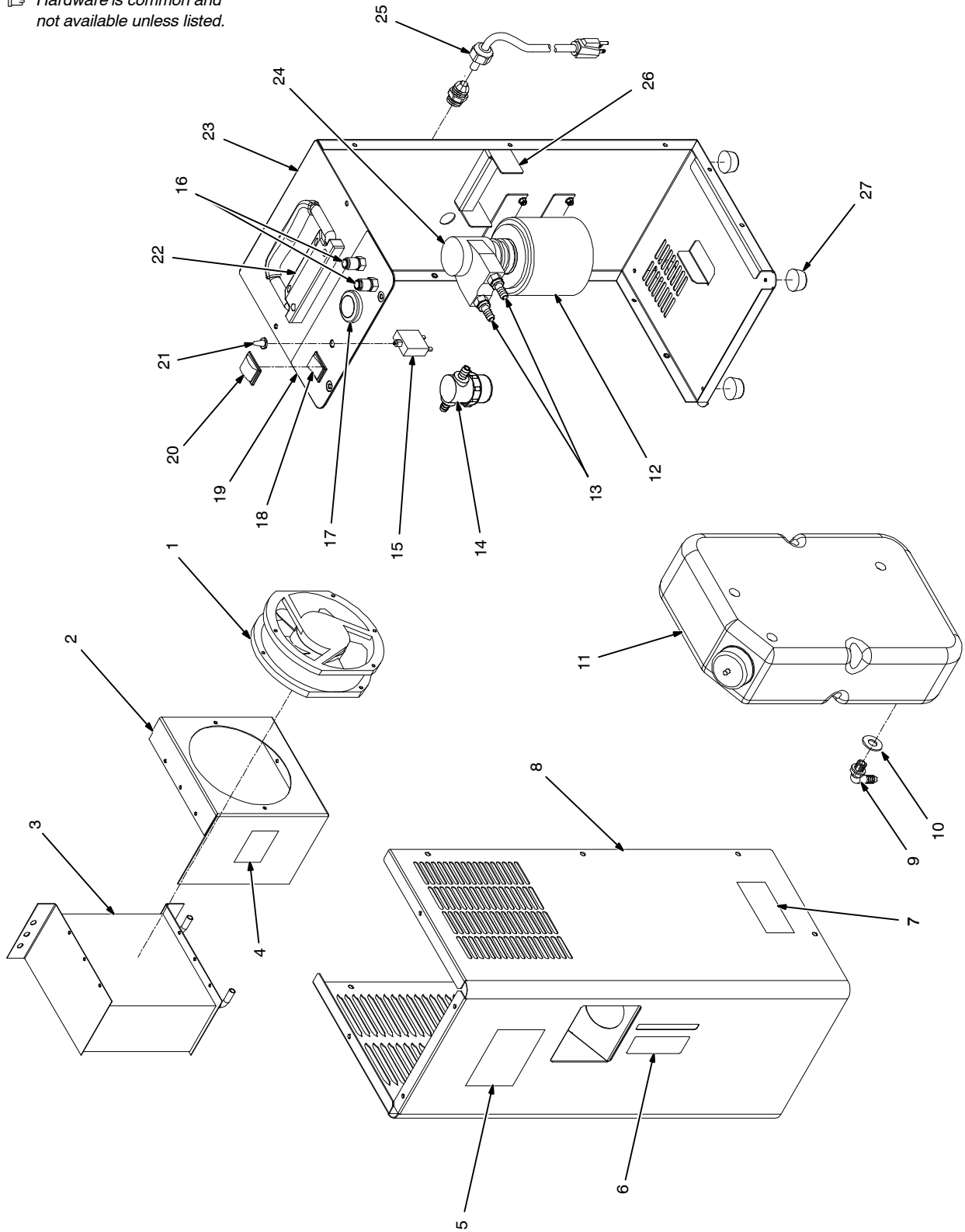
	WARNING Do not touch live electrical parts. Disconnect input power or stop engine before servicing. Do not operate with covers removed. Have only qualified persons install, use, or service this unit.
	ELECTRIC SHOCK HAZARD

GRN/YEL



SECTION 8 – PARTS LIST

 Hardware is common and not available unless listed.



956142899_3-B

Figure 8-1. Main Assembly, Hydracool 1

Item No.	Dia. Mkgs.	Part No.	Description
----------	------------	----------	-------------

Figure 8-1. Main Assembly, Hydracool 1

... 1	FM	213072	Fan, Muffin 115V 60HZ 3400 RPM 6.378 Mtg Holes	1
... 1	FM	235504	Fan Assy, Radiator Cooling 230 V	1
... 2		+116117082	Fan Support	1
... 3		056082099	Radiator Assy	1
... 4		956142629	Label, Warning Moving Parts	1
... 5		207290	Label, Advisory Service	1
... 6		956142621	Label, Coolant Level	1
... 7		180663	Label, Warning Primary Connections	1
... 8		+156121044	Wrapper	1
... 9		656049051	Barb, Hose	2
... 10		156009079	Washer	2
... 11		027042002	Tank, Water 8 L	1
... 12	M1	057010059	Motor, 170 W, 115 VAC	1
... 12	M1	057010060	Motor, 170 W, 230 VAC	1
... 13		556049386	Connector, Male 3/8 D.10	2
... 14		166564	Filter, In-Line Low Profile 100 Screen 3/8 Hose Bar	1
... 15	CB1	056067283	Breaker, Circuit 5A	1
... 16		556049422	Water Connection, Quick Connect	2
... 17		215279	Indicator, Flow	1
... 18	S1	056067251	Switch, Power On/Off	1
... 19		316029721	Nameplate, Front, Hydracool 1	1
... 20		756007013	Cover, Switch 37 x 20	1
... 21		656081027	Cover, Rubber Boot	1
... 22		208015	Handle, Rubberized Carrying	1
... 23		156006074	Front, Base & Rear Assy	1
... 24		V57011071	Pump Assy	1
... 25		027112327	Cable, Primary, 115VAC C/W Strain Relief	1
... 27		156009147	Mounting Bracket, Tank Assy	1
... 28		656110013	Foot, Rubber Mount	4

+When ordering a component originally displaying a precautionary label, the label should also be ordered.

To maintain the factory original performance of your equipment, use only Manufacturer's Suggested Replacement Parts. Model and serial number required when ordering parts from your local distributor.

TRUE BLUE[®]

WARRANTY

Effective January 1, 2020

(Equipment with a serial number preface of NA or newer)

This limited warranty supersedes all previous Miller warranties and is exclusive with no other guarantees or warranties expressed or implied.

Warranty Questions?
Call your ITW Welding
Regional Office.

LIMITED WARRANTY – Subject to the terms and conditions below, Miller Electric Mfg. LLC, Appleton, Wisconsin and ITW Welding (hereafter referred to as Miller) warrant to authorized distributors that new Miller equipment sold after the effective date of this limited warranty is free of defects in material and workmanship at the time it is shipped by Miller. THIS WARRANTY IS EXPRESSLY IN LIEU OF ALL OTHER WARRANTIES, EXPRESS OR IMPLIED, INCLUDING THE WARRANTIES OF MERCHANTABILITY AND FITNESS.

Within the warranty periods listed below, Miller will repair or replace any warranted parts or components that fail due to such defects in material or workmanship. Miller must be notified in writing within thirty (30) days of such defect or failure, at which time Miller will provide instructions on the warranty claim procedures to be followed. Notifications submitted as online warranty claims must provide detailed descriptions of the fault and troubleshooting steps taken to diagnose failed parts. Warranty claims that lack the required information as defined in the Miller Service Operation Guide (SOG) may be denied by Miller.

Miller shall honor warranty claims on warranted equipment listed below in the event of a defect within the warranty coverage time periods listed below. Warranty time periods start on the delivery date of the equipment to the end-user purchaser, or 18 months after the equipment is shipped to an International distributor, whichever occurs first.

1. 5 Years Parts — 3 Years Labor
 - * Original Main Power Rectifiers Only to Include SCRs, Diodes, and Discrete Rectifier Modules
2. 3 Years — Parts and Labor Unless Specified
 - * Auto-Darkening Helmet Lenses (No Labor) (See Classic Series Exception Below)
 - * Engine Driven Welder/Generators
(NOTE: Engines are Warranted Separately by the Engine Manufacturer.)
 - * Insight Welding Intelligence Products (Except External Sensors)
 - * Inverter Power Sources
 - * Plasma Arc Cutting Power Sources
 - * Process Controllers
 - * Semi-Automatic and Automatic Wire Feeders
 - * Transformer/Rectifier Power Sources
3. 2 Years — Parts and Labor
 - * Auto-Darkening Helmet Lenses – Classic Series Only (No Labor)
 - * Auto-Darkening Weld Masks (No Labor)
 - * Fume Extractors – Capture 5, Filtair 400 and Industrial Collector Series
4. 1 Year — Parts and Labor Unless Specified
 - * ArcReach Heater
 - * AugmentedArc and LiveArc Welding Systems
 - * Automatic Motion Devices
 - * Bernard BTB Air-Cooled MIG Guns (No Labor)
 - * CoolBelt (No Labor)
 - * Desiccant Air Dryer System
 - * Field Options
(NOTE: Field options are covered for the remaining warranty period of the product they are installed in, or for a minimum of one year — whichever is greater.)
 - * RFCS Foot Controls (Except RFCS-RJ45)
 - * Fume Extractors – Filtair 130, MWX and SWX Series, ZoneFlow Extraction Arms and Motor Control Box HF Units
 - * ICE/XT Plasma Cutting Torches (No Labor)
 - * Induction Heating Power Sources, Coolers
(NOTE: Digital Recorders are Warranted Separately by the Manufacturer.)
 - * Load Banks
 - * Motor-Driven Guns (except Spoolmate Spoolguns)
 - * PAPR Blower Unit (No Labor)

- * Positioners and Controllers
 - * Racks (For Housing Multiple Power Sources)
 - * Running Gear/Trailers
 - * Subarc Wire Drive Assemblies
 - * Supplied Air Respirator (SAR) Boxes and Panels
 - * TIG Torches (No Labor)
 - * Tregaskiss Guns (No Labor)
 - * Water Cooling Systems
 - * Wireless Remote Foot/Hand Controls and Receivers
 - * Work Stations/Weld Tables (No Labor)
5. 6 Months — Parts
 - * Batteries
 6. 90 Days — Parts
 - * Accessories (Kits)
 - * ArcReach Heater Quick Wrap and Air Cooled Cables
 - * Canvas Covers
 - * Induction Heating Coils and Blankets, Cables, and Non-Electronic Controls
 - * MDX Series MIG Guns
 - * M-Guns
 - * MIG Guns, Subarc (SAW) Torches, and External Cladding Heads
 - * Remote Controls and RFCS-RJ45
 - * Replacement Parts (No labor)
 - * Spoolmate Spoolguns

Miller's True Blue[®] Limited Warranty shall not apply to:

1. **Consumable components; such as contact tips, cutting nozzles, contactors, brushes, relays, work station table tops and welding curtains, or parts that fail due to normal wear. (Exception: brushes and relays are covered on all engine-driven products.)**
2. Items furnished by Miller, but manufactured by others, such as engines or trade accessories. These items are covered by the manufacturer's warranty, if any.
3. Equipment that has been modified by any party other than Miller, or equipment that has been improperly installed, improperly operated or misused based upon industry standards, or equipment which has not had reasonable and necessary maintenance, or equipment which has been used for operation outside of the specifications for the equipment.
4. Defects caused by accident, unauthorized repair, or improper testing.

MILLER PRODUCTS ARE INTENDED FOR COMMERCIAL AND INDUSTRIAL USERS TRAINED AND EXPERIENCED IN THE USE AND MAINTENANCE OF WELDING EQUIPMENT.

The exclusive remedies for warranty claims are, at Miller's option, either: (1) repair; or (2) replacement; or, if approved in writing by Miller, (3) the pre-approved cost of repair or replacement at an authorized Miller service station; or (4) payment of or credit for the purchase price (less reasonable depreciation based upon use). Products may not be returned without Miller's written approval. Return shipment shall be at customer's risk and expense.

The above remedies are F.O.B. Appleton, WI, or Miller's authorized service facility. Transportation and freight are the customer's responsibility. TO THE EXTENT PERMITTED BY LAW, THE REMEDIES HEREIN ARE THE SOLE AND EXCLUSIVE REMEDIES REGARDLESS OF THE LEGAL THEORY. IN NO EVENT SHALL MILLER BE LIABLE FOR DIRECT, INDIRECT, SPECIAL, INCIDENTAL OR CONSEQUENTIAL DAMAGES (INCLUDING LOSS OF PROFIT) REGARDLESS OF THE LEGAL THEORY. ANY WARRANTY NOT PROVIDED HEREIN AND ANY IMPLIED WARRANTY, GUARANTY, OR REPRESENTATION, INCLUDING ANY IMPLIED WARRANTY OF MERCHANTABILITY OR FITNESS FOR PARTICULAR PURPOSE, ARE EXCLUDED AND DISCLAIMED BY MILLER.

This Limited Warranty provides specific legal rights, and other rights may be available, but may vary by country.



Owner's Record

Please complete and retain with your personal records.

Model Name

Serial/Style Number

Purchase Date

(Date which equipment was delivered to original customer.)

Distributor

Address

Country

Zip/Postal Code

For Service

Contact a *DISTRIBUTOR* or *SERVICE AGENCY* near you.

Always provide Model Name and Serial/Style Number.

Contact your Distributor for:

Welding Supplies and Consumables

Options and Accessories

Service and Repair

Replacement Parts

Owner's Manuals

Contact the Delivering Carrier to:

File a claim for loss or damage during shipment.

For assistance in filing or settling claims, contact your distributor and/or equipment manufacturer's Transportation Department.

ITW Welding Products B.V.

Edisonstraat 10 3261 LD

Oud-Beijerland (NL)

Phone: +31 (0) 186 641 444

Fax: +31 (0) 186 640 880

