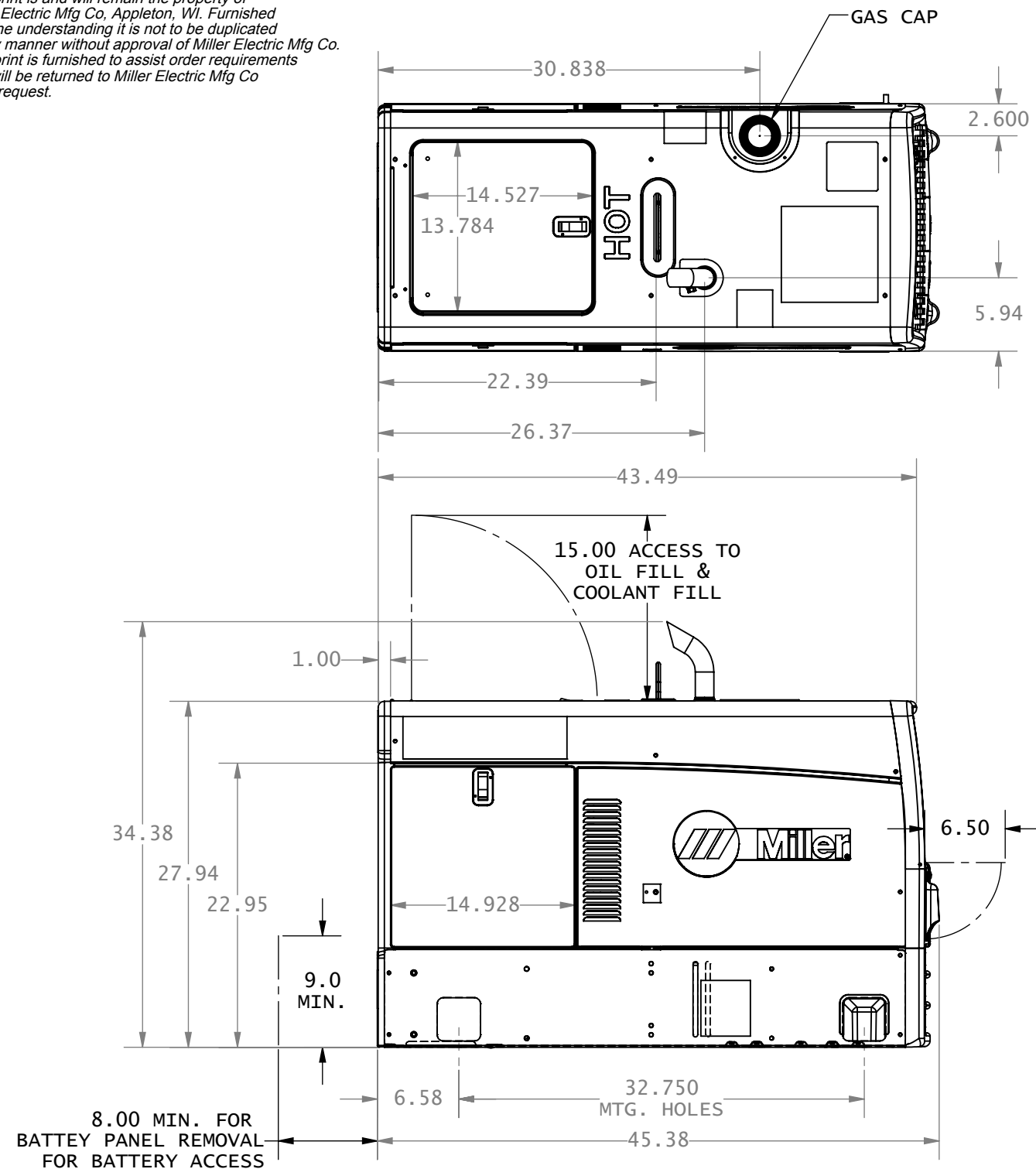


This print is and will remain the property of Miller Electric Mfg Co, Appleton, WI. Furnished with the understanding it is not to be duplicated in any manner without approval of Miller Electric Mfg Co. This print is furnished to assist order requirements and will be returned to Miller Electric Mfg Co upon request.



MINIMUM AIR FLOW REQUIREMENTS:

- GENERATOR COOLING AIR IN LOWER FRONT 600 CFM.
- GENERATOR COOLING AIR IN SIDE LOUVERS 1100 CFM.
- GENERATOR/ENGINE EXIT AIR OUT REAR PANEL 1500 CFM.
- GENERATOR/ENGINE EXIT AIR OUT REAR BASE MTG. HOLES 200 CFM.

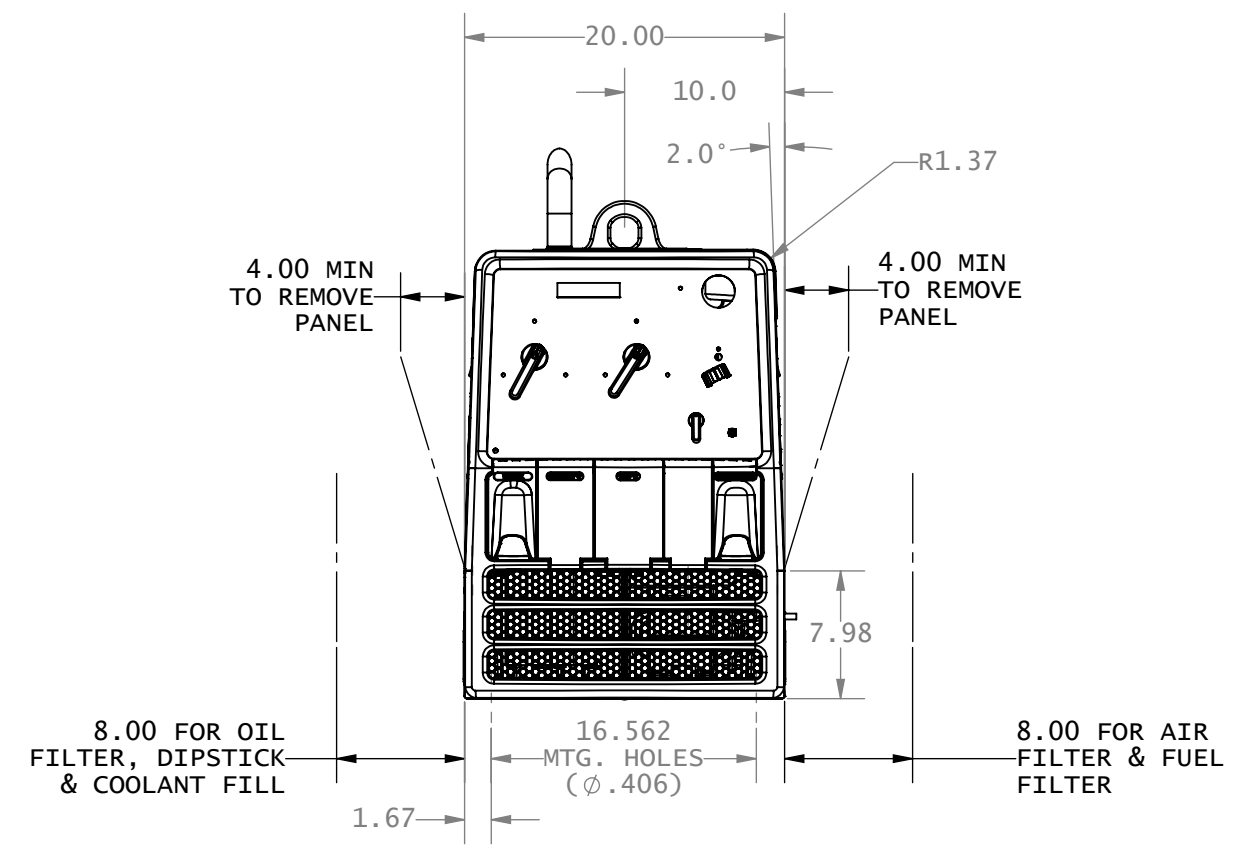
EXTERNAL FUEL SUPPLY REQUIREMENTS:

4 PSI AT 500cc/MIN (3.05 C.I./MIN) FROM CUSTOMER SUPPLIED ELECTRIC FUEL PUMP. REMOVE MECHANICAL PUMP. COVER PORT WITH KUBOTA P/N'S 15852-52850 & 16264-52140. INSTALL ADDITIONAL FILTER IN FRONT OF THE ELECTRIC FUEL PUMP. 12V SUPPLY TO PUMP FROM LEAD 41 OFF THE IGNITION SWITCH(S2).

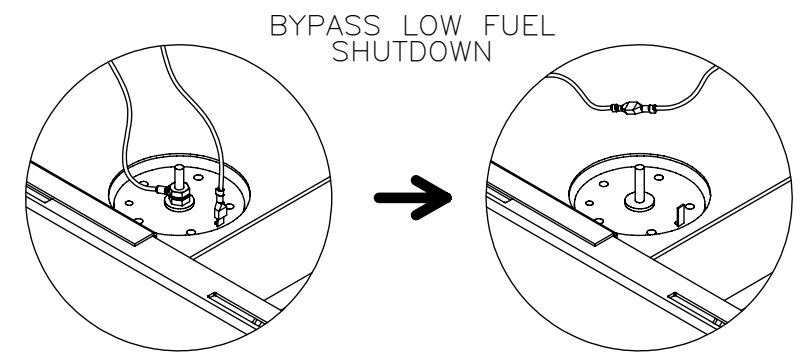
BYPASS LOW FUEL SHUTDOWN(SEE DRAWING BELOW)

1. DISCONNECT FUEL SENDER LEADS AT TANK.
2. INSTALL MATING INSULATED TERMINALS ON LEADS.
3. CONNECT FUEL SENDER LEAD TERMINALS.

THIS LAYOUT IS USED FOR THE FOLLOWING BASE STOCK NUMBERS: 907565 & 907566



BOBCAT DIESEL SHOWN
TRAILBLAZER HAS DIFFERENT
FRONT PANEL CONTROLS



Rev	Date	By	ECO	Revision Description
B	10/21/14	JAJ NJJ	23407	P/N 15852-52850 WAS 15852-52852, 16264-52140 WAS 16264-52141

Tolerances Unless Otherwise Specified		MILLER ELECTRIC MFG. CO., APPLETON, WI. USA	
Decimal ±:			
Fractional ±:		Title: TECH. DWG, BOBCAT 250/ TRAILBLAZER 325 DIESEL	
Angular ±:		DRAWING NOT TO SCALE	
Finish:		CONFIDENTIAL	
Drawn By: JAJ/NJJ	Size: B	Drawing No: 263372	Rev: B
Date: 4/24/13			