

OptX™ Laser Welding Enclosure



QUICK SPECS

Material

Two layers of aluminum bonded to a corrugated polyallomer core

Dimensions

Laser enclosure length/width: 8 x 8 ft. (2.4 x 2.4 m)
Viewing window: 10.25 x 23.5 in. (260 x 597 mm)

Laser Rating 2,500 W/cm²

Net Weight

275 lb. (125 kg)

Take laser welding safety to the next level with the OptX laser enclosure. This Class 1 compliant, 8 ft. x 8 ft. modular enclosure with double-entry doors comes ready to install and start welding. This modular enclosure lets you create the ideal welding workspace, making it easier than ever to integrate laser welding into your facility.



NEW!

Class 1 enclosure rated up to 2,500 W/cm².

Full length double-entry doors.

Laser-rated 10.25 x 23.5 inch viewing window.

Fits standard forklift for smooth removal of larger parts.

Adjustable feet to accommodate uneven floors.

Partially assembled for quick on-site installation.



Enclosure is warranted for three years, parts and labor.



Miller Electric Mfg. LLC
An ITW Welding Company
1635 West Spencer Street
P.O. Box 1079
Appleton, WI 54912-1079 USA

Equipment Sales US and Canada
Phone: 866-931-9730
International Phone: 920-735-4554

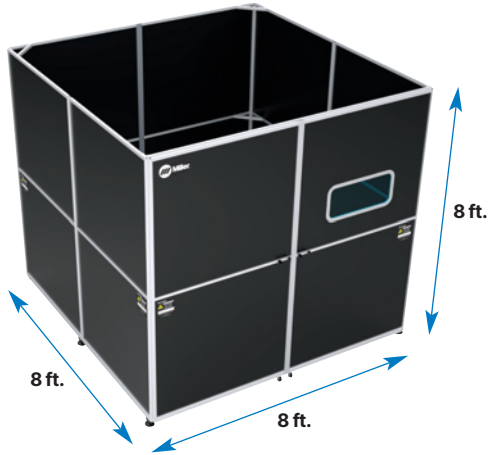
MillerWelds.com
f X v i n



Laser Welding Enclosure Configurations

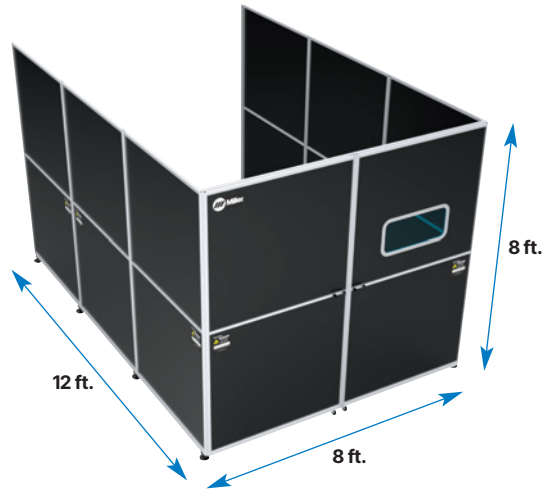
Standard configuration

- 4 sides



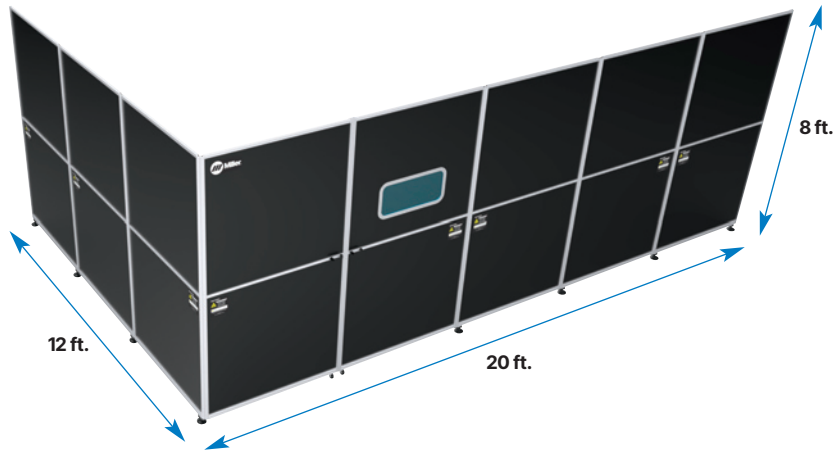
U configuration

- 1 wall
- 3 sides



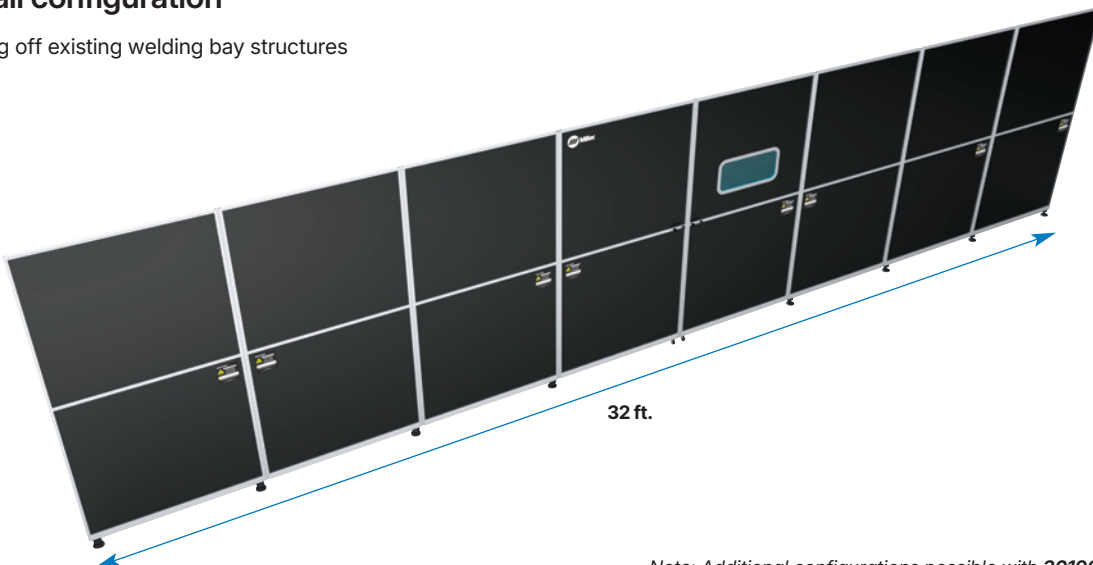
L configuration

- Corner wall (2 walls)
- 2 sides



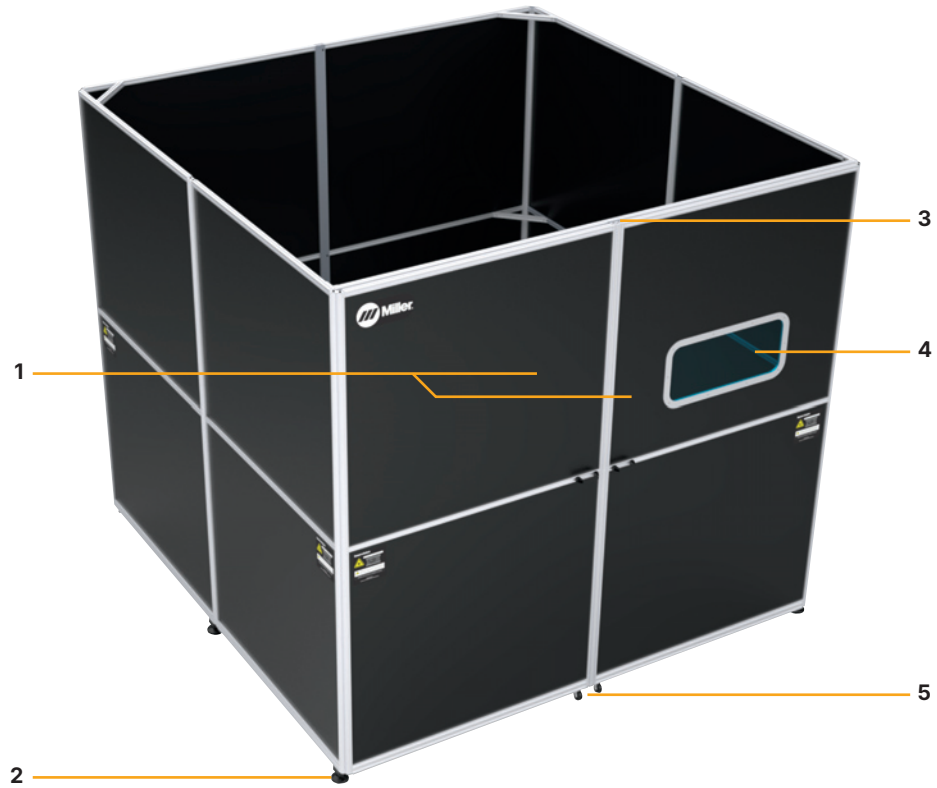
Modular wall configuration

- Ideal for closing off existing welding bay structures



Note: Additional configurations possible with **301904** enclosure panel.

Laser Welding Enclosure Features



1. Double doors
2. Adjustable feet
3. Interlocks
4. Laser-rated 10.25 x 23.5 inch viewing window
5. Lockable casters

Genuine Miller® Accessories



OptX™ Laser Welding Enclosure Panel 301904
48 x 92 inch laser welding panel rated up to 2,500 W/cm². Installs on the back or side wall to expand enclosure dimensions. For use with all OptX products.

Ordering Information

POWER SOURCE PACKAGES	STOCK NO.	DESCRIPTION	QTY.	PRICE
OptX™ Laser Welding Enclosure	301902	For use with all OptX products		
Accessories				
OptX Laser Welding Enclosure Panel	301904	Single 48 x 92 inch panel — can be used as a back or side wall		
OptX Interlock Switch, 2NC, 32 ft.	301804			

DATE:

TOTAL QUOTED PRICE:

Call us toll-free at 866-931-9730 or email us at PWSService@millerwelds.com for additional information on safety and laser processes.

Distributed by:

