

IntelliPath™

Issued Dec. 2024 • Index No. AU/33.0

Automation
Systems 

Intelligent Offline Robotic Programming

IntelliPath is a cloud-based offline programming software that greatly simplifies and streamlines weld path programming. This software automatically generates weld paths and weld joint types, while simultaneously relying on collision avoidance and path optimization considerations.



Auto-collision avoidance ensures a safe and accurate taught program.

Auto-path generation reduces programming complexity.

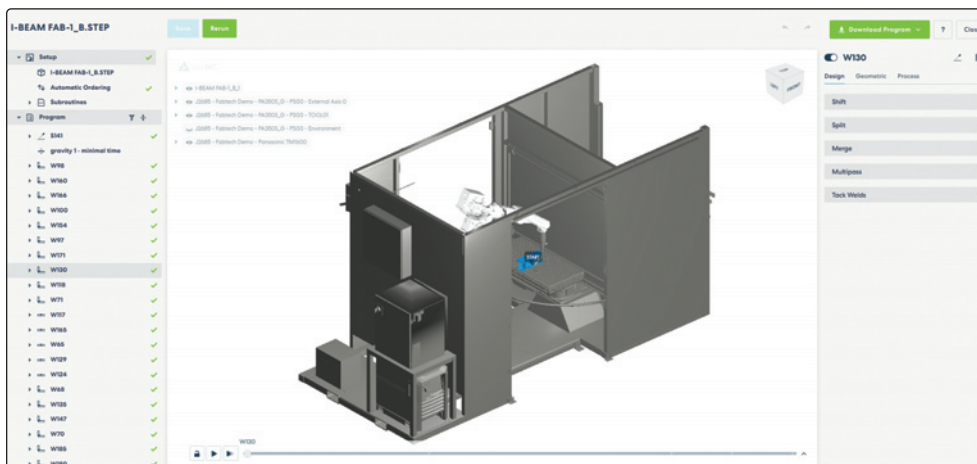
Auto-joint identification builds robot programs 10 times faster compared to using a pendant.

Cloud based increases accessibility and collaboration between teams.

Intuitive user interface. Learn and become proficient in as little as two hours.

Program offline allows programming without interrupting production flow.

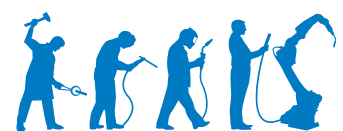
Automatic system updates ensure the user always has the most up-to-date software.



System requirements

- **Operating system**
Windows, MacOS or Linux
- **Browser compatibility**
Google Chrome, Chromium, Firefox
- **Memory usage**
Minimum 2 GB RAM
- **Bandwidth**
Ideally 5 Mbps or higher

IntelliPath powered by  ArcNC



Evolve Your Welding™

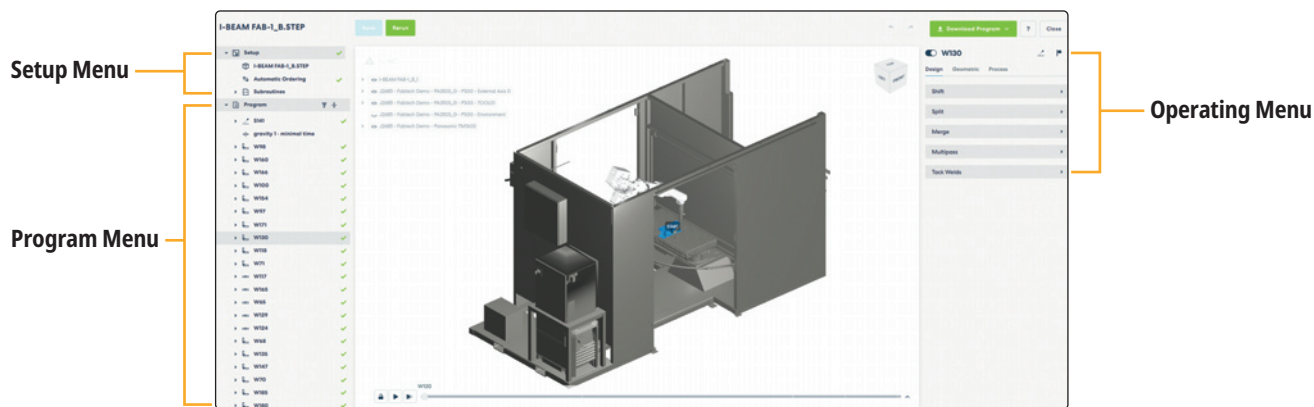


Miller Welding Automation
An ITW Welding Company
281 E. Lies Rd.
Carol Stream, IL 60188 USA

Equipment Sales
Phone: 630-653-6819
Email: MWA.Sales@millerwelds.com

MillerWelds.com


IntelliPath™ User Interface and Menus



Setup and Program Menus



Setup Menu enables the operator to define the program setup and default program variables.

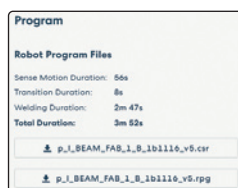


Program Menu identifies automatically detected welds that can be edited and further defined in the operating menu.

Operating Menu



Setup allows creation of default welding parameters and setting preferred welding positions.



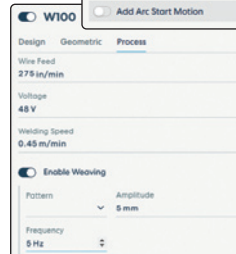
Program provides process cycle time estimates to help manufacturer planning.



Design provides easy-to-navigate functions including shift, split, merging, multipass, and/or defining tack welds.



Geometric designates welding positions (AWS flat, horizontal, vertical, etc.), offsets to the program path, and external axis instructions.



Process defines and manages welding parameters.

Resources When You Need It

Pre-Sales Application Support

Contact Miller Welding Automation prior to sale to discuss possibilities to support and prove out your unique welding challenges. Our lab can complete trials and make recommendations that will help reduce risk in your purchasing decision.

Training

We offer virtual training as well as in-person training at our different facilities to fit your needs. Training programs are offered for PerformArc operation and for our offline programming softwares. Contact your Miller Welding Automation representative for more information.

Post-Sale Service and Preventative Maintenance

Contact Miller Welding Automation for service and preventative maintenance recommendations and programs, as well as troubleshooting of any operation issues.

Contact Us

Miller Welding Automation is your single point of contact for configuring and ordering your PerformArc system.

Continued technical support can be counted on from Miller Welding Automation in Carol Stream, Illinois. Please call our hotline number: (630) 653-6819.

Spare parts and wear items are provided in your initial purchase of PerformArc. Spare parts can be ordered from Miller Welding Automation.

Distributed by:

