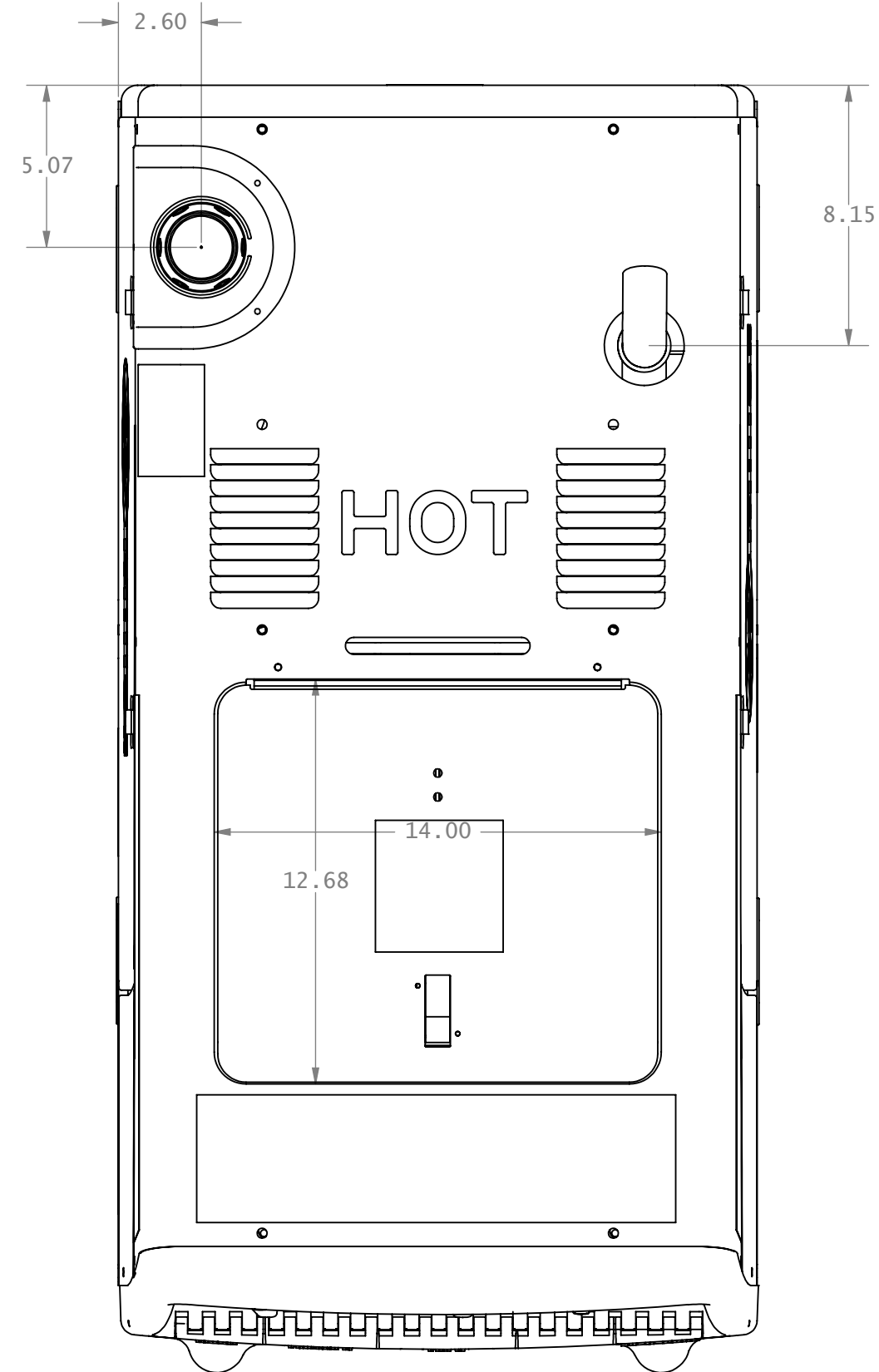
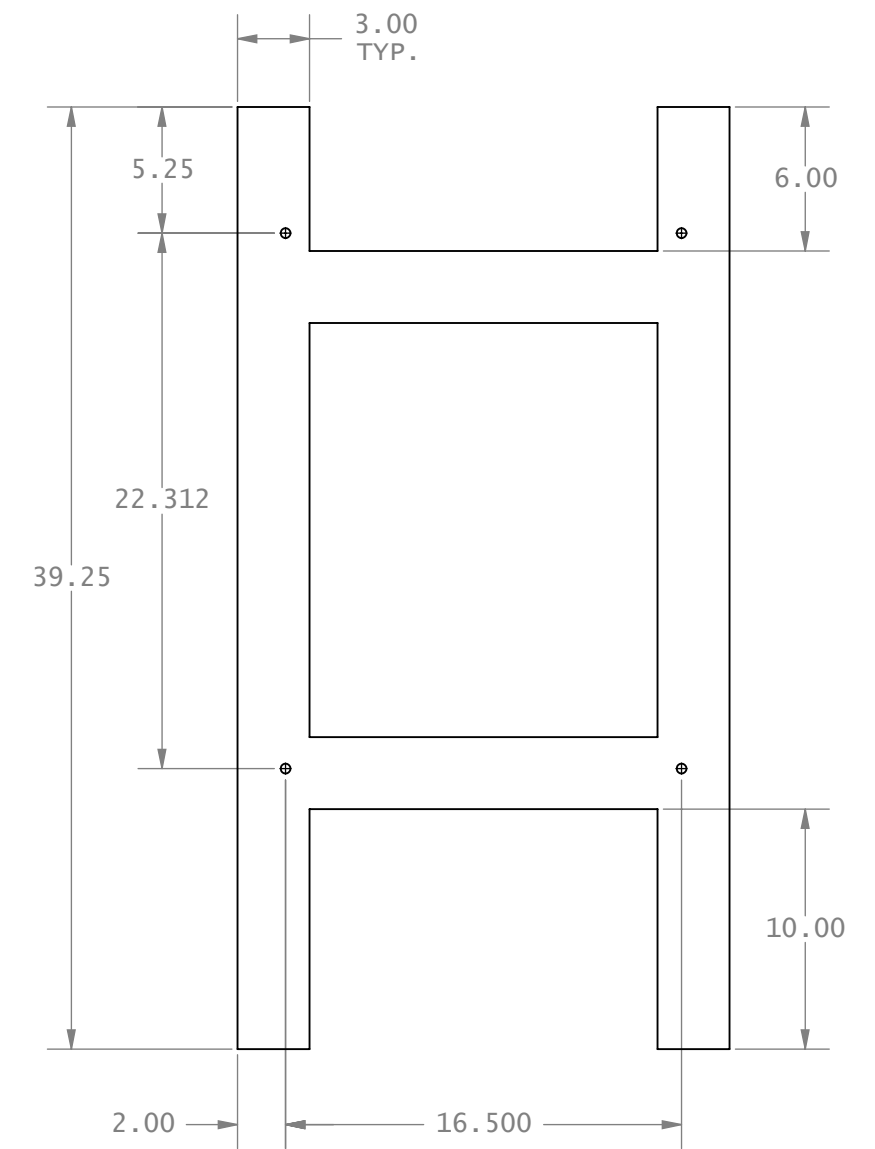
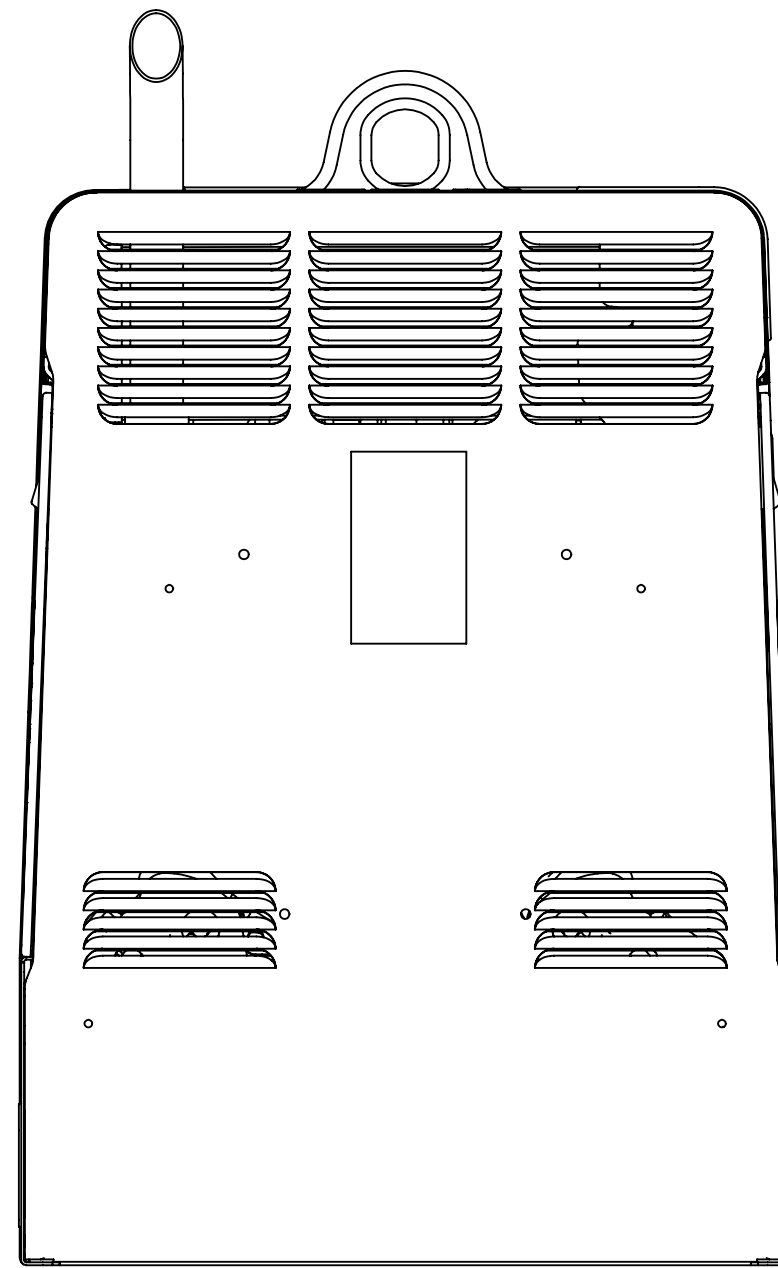


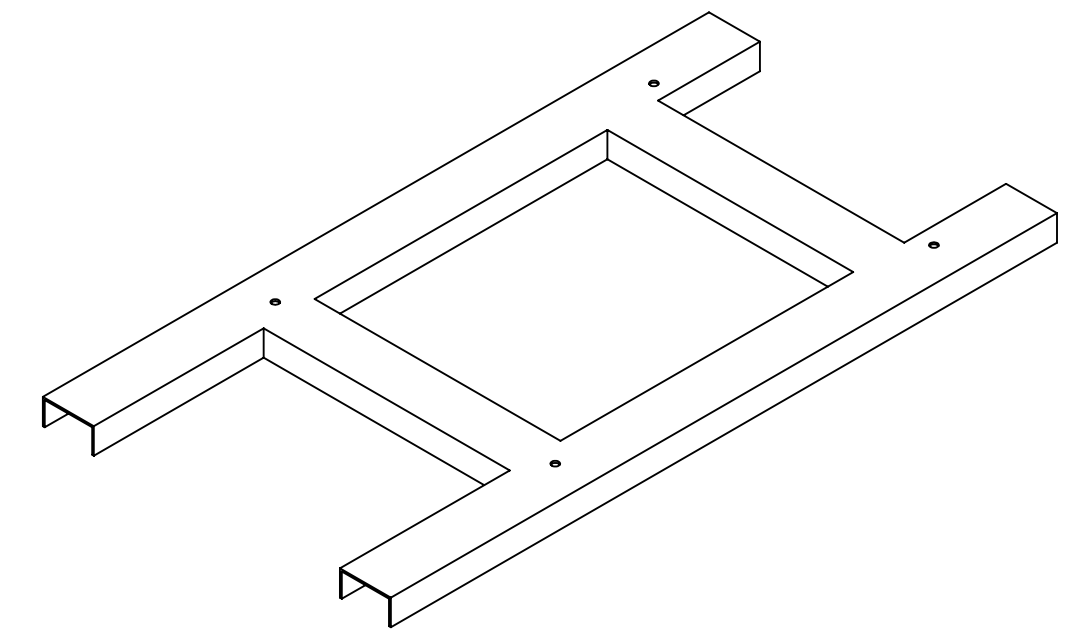
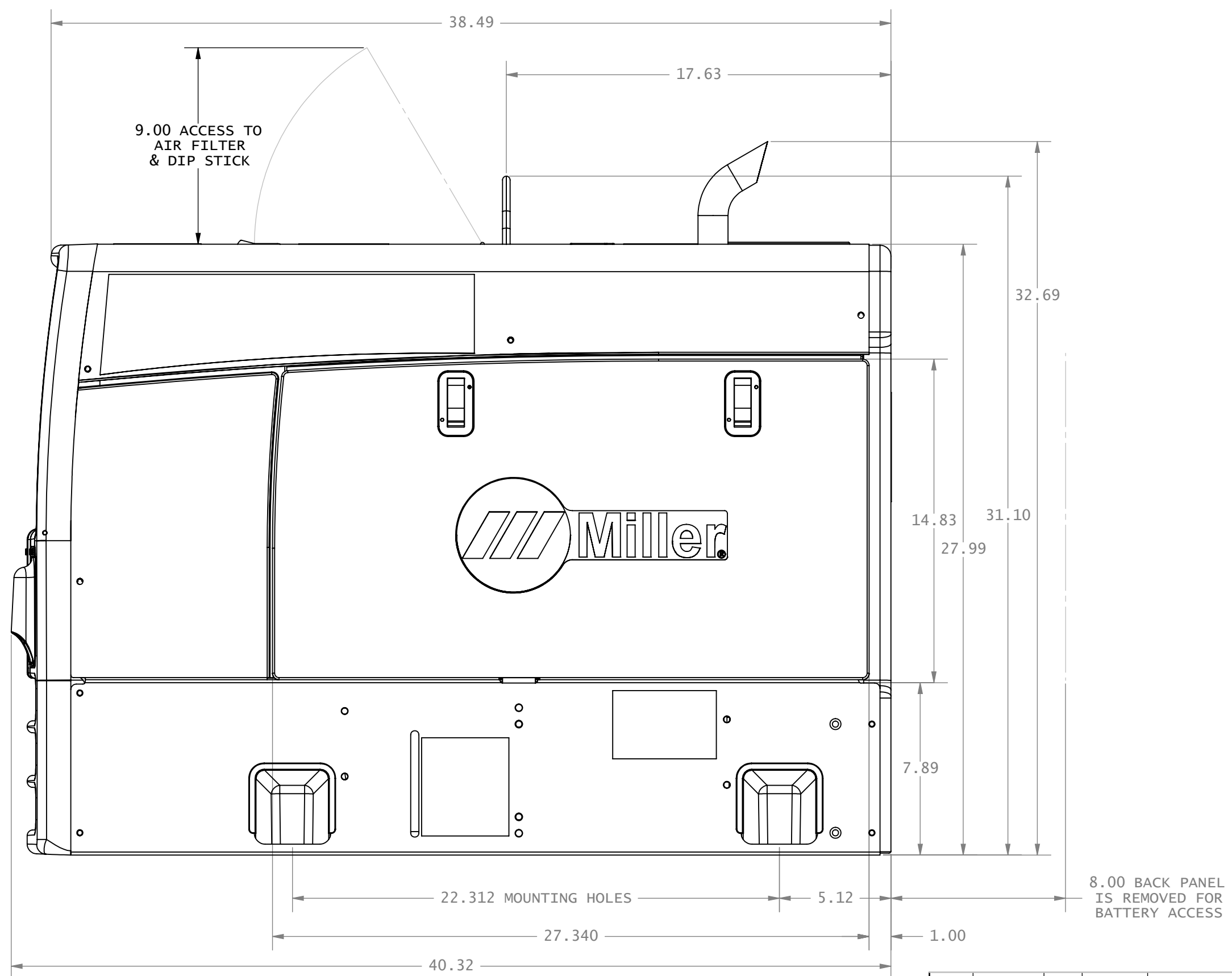
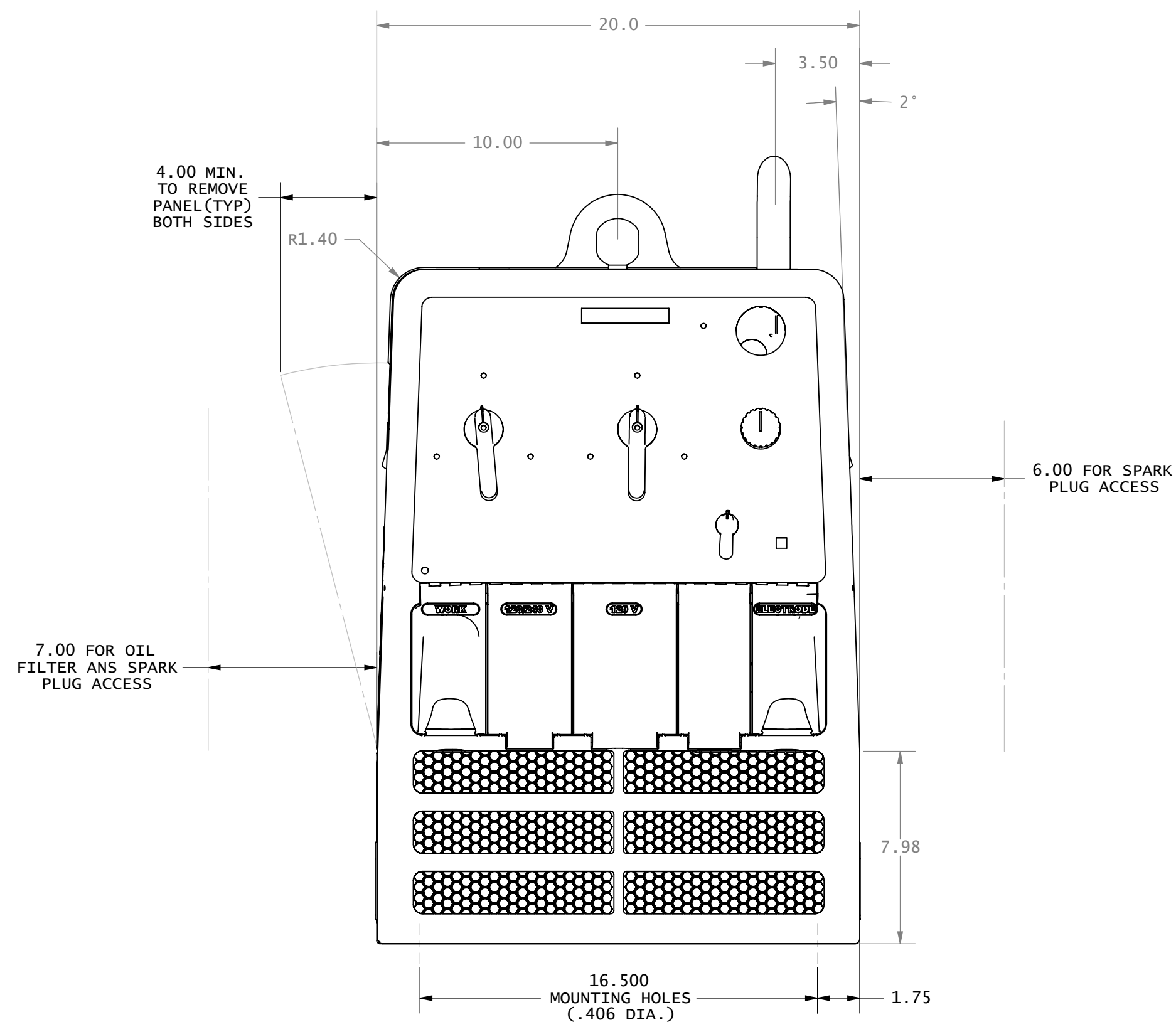
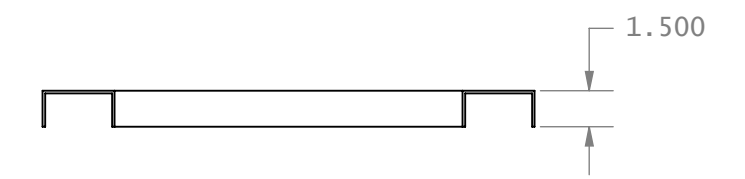
This print is and will remain the property of Miller Electric Mfg Co., Appleton, WI. Furnished with the understanding it is not to be duplicated in any manner without approval of Miller Electric Mfg Co. This print is furnished to assist order requirements and will be returned to Miller Electric Mfg Co upon request.



PRIMARY COOLING AIR: LOWER FRONT & LOWER REAR PANEL  
HOT AIR EXIT: TOP OF REAR PANEL & TOP COVER



MINIMUM GAUGE = 12



Tolerances Unless Otherwise Specified				MILLER ELECTRIC MFG. CO., APPLETON, WI. USA
Decimal :				
Fractional :				<b>Title:</b> ILLUSTRATION,BOBCAT FRONT ENGINE MOUNTING DRAWING NOT TO SCALE <b>CONFIDENTIAL</b>
Angular :				
Finish:				Drawn By: JAJUJAJ Date: 12/6/11
Rev	Date	By	ECO	Size: <b>D</b> Drawing No: <b>251959</b> Rev: <b>A</b>
Revision Description				