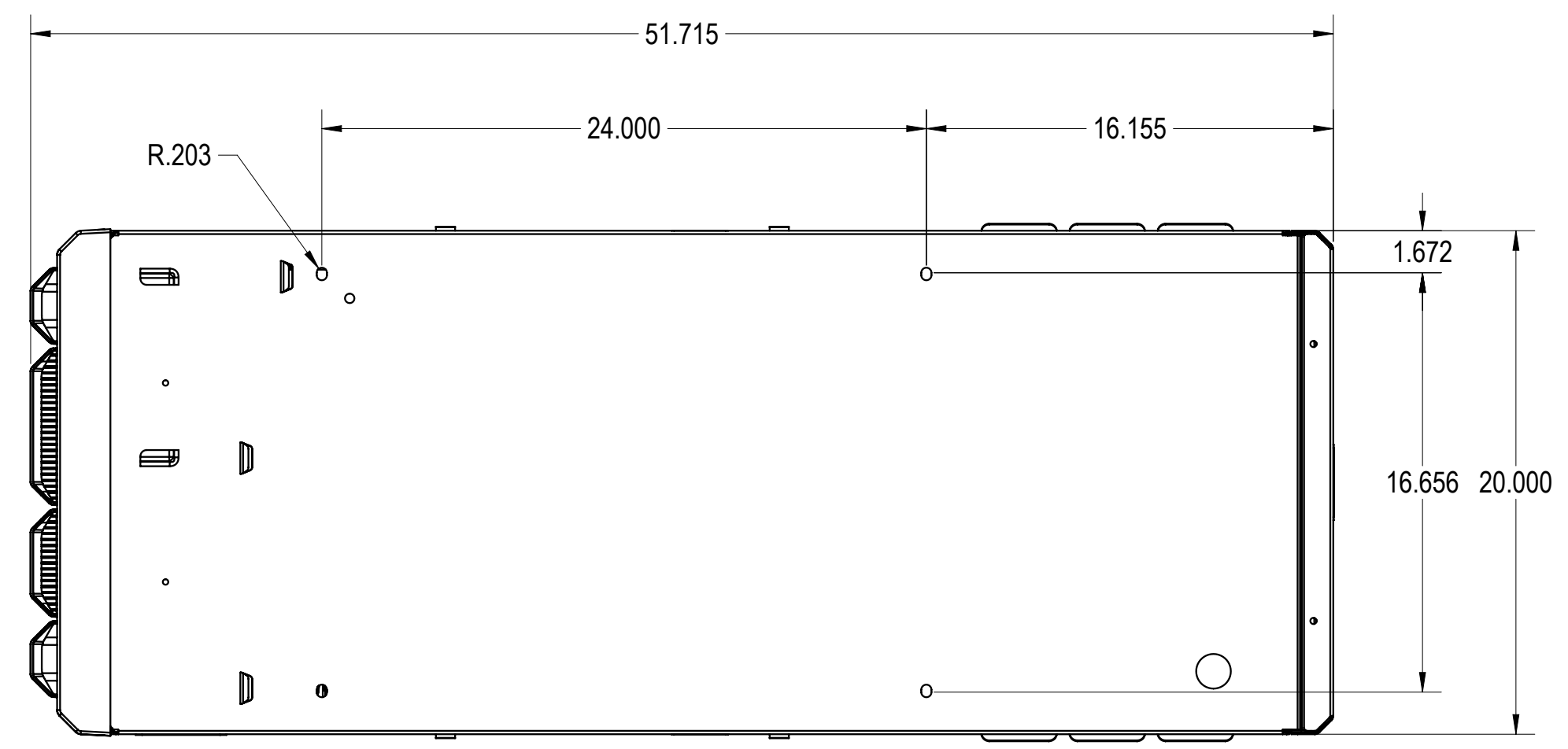
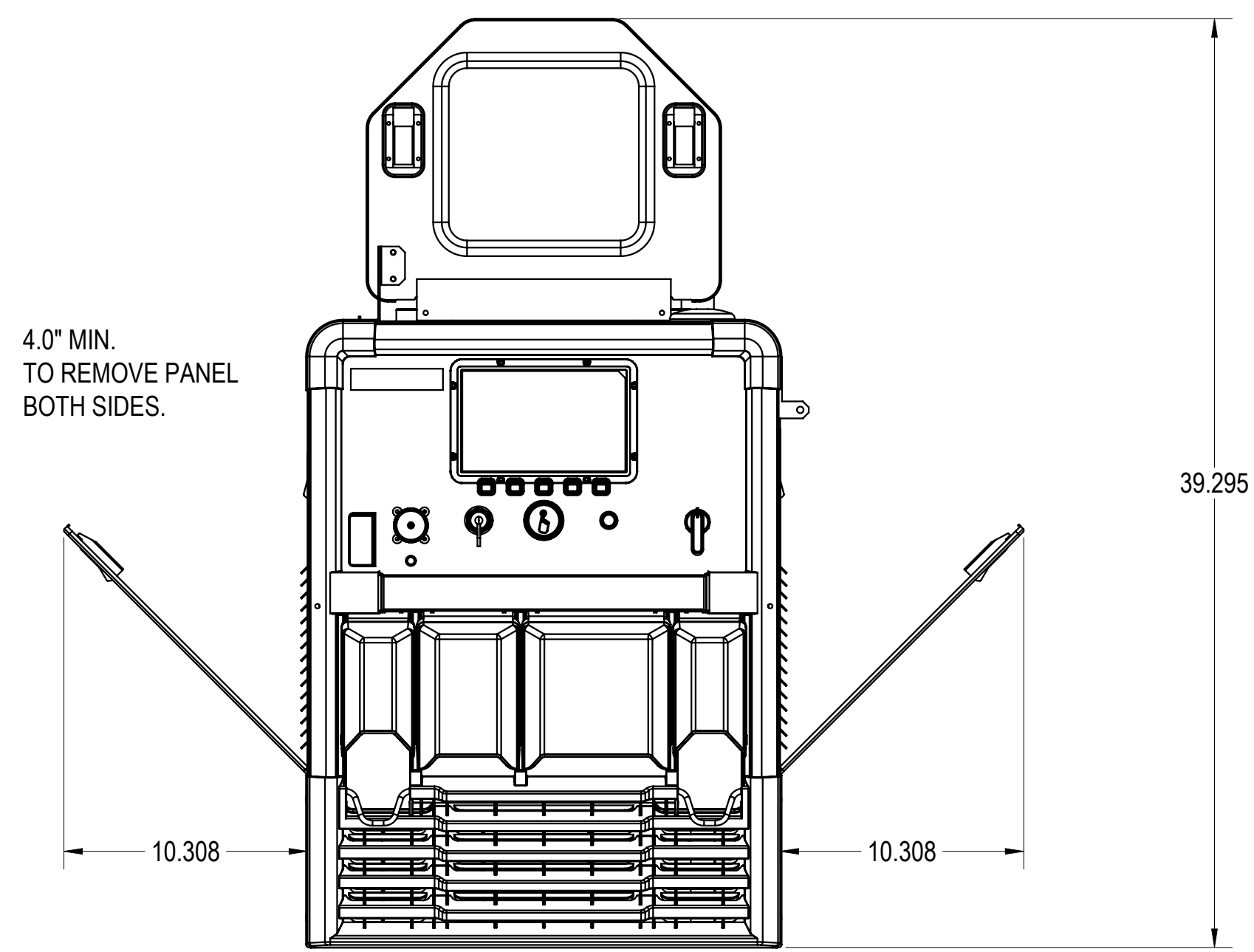
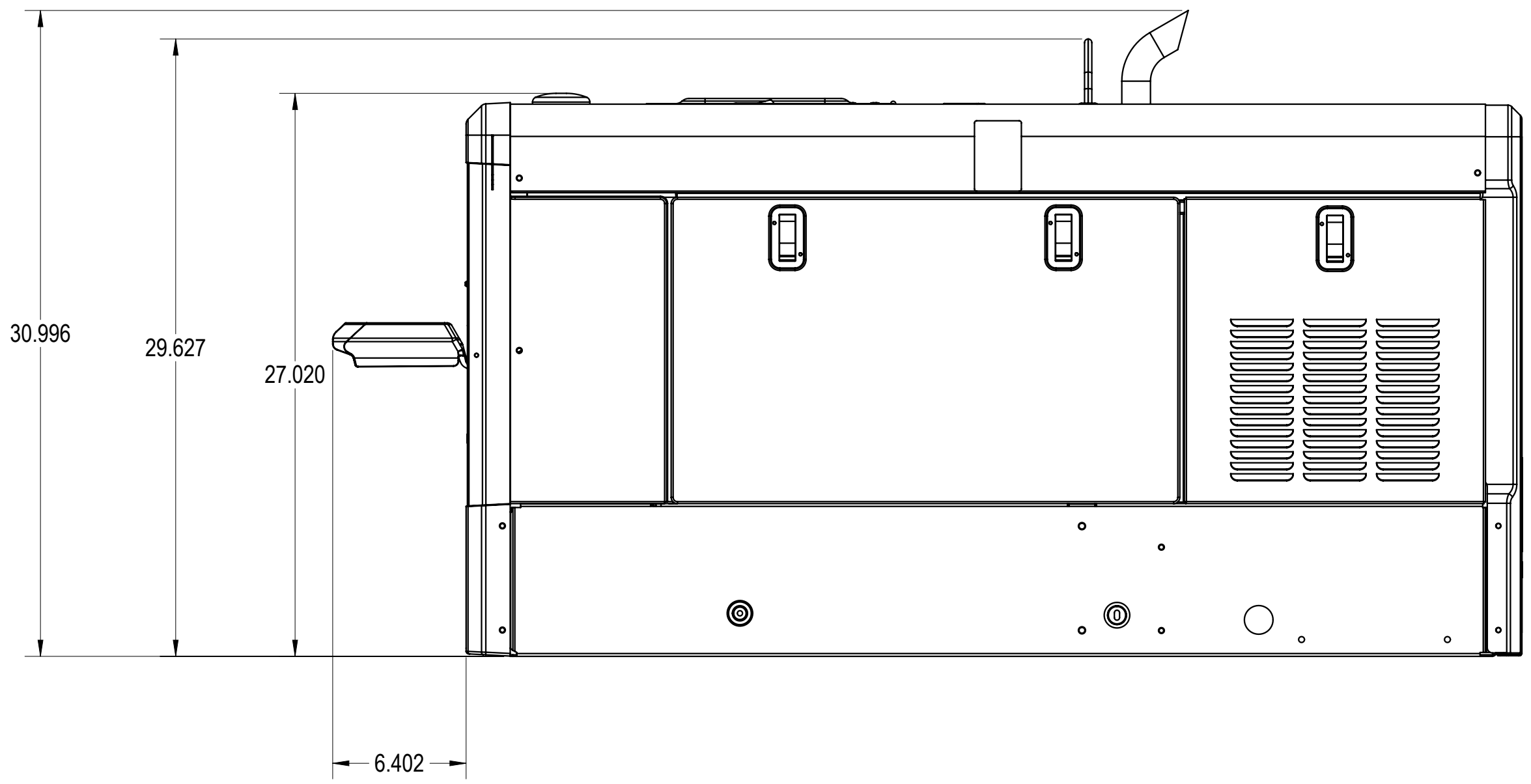
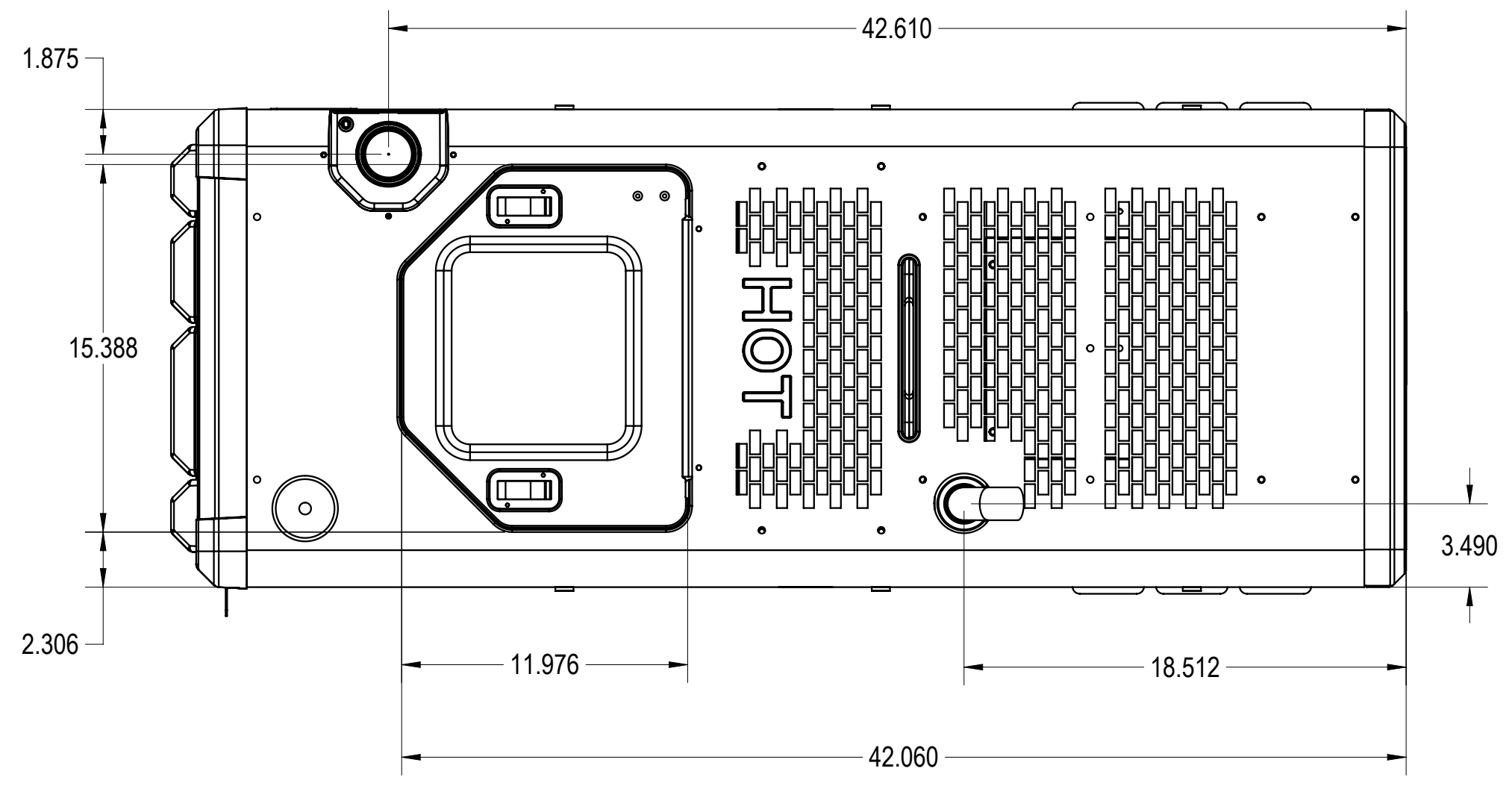


8 7 6 5 4 3 2 1

AIRFLOW CLEARANCES:
THERE NEEDS TO BE A MINIMUM OF 18" OF CLEARANCE
ON SIDES, TOP AND REAR OF MACHINE.



RoHS COMPLIANT

Dimensions are in INCHES Unless Otherwise Specified				<p>MILLER ELECTRIC MFG. LLC, APPLETON, WI, USA An TTV Welding Company</p> <p>Title: ILLUS MACHINE, BC/TB AIRPAK WORK TRUCK</p> <p>NOT TO SCALE CONFIDENTIAL SHEET: 1 of 1</p> <p><small>© MILLER ELECTRIC MFG. LLC, MILLER. THIS DOCUMENT AND THE INFORMATION CONTAINED THEREIN, INCLUDING BUT NOT LIMITED TO, ALL RIGHTS RESERVED. THIS INFORMATION IS MILLER PROPERTY AND CONFIDENTIAL INFORMATION AND SHALL NOT BE REPRODUCED OR DISTRIBUTED WITHOUT MILLER'S EXPRESS WRITTEN CONSENT. THIS WARNING SHALL BE KEPT READY FOR THE PURPOSE SET FORTH BY MILLER AND SHALL BE RETURNED TO MILLER UPON REQUEST.</small></p>
Decimal:	0.X :			
	0.XX :			
	0.XXX :			
Fractional:				
Angular:				
Machine Finish:				
Orig. Dwn. By:	CL	Size:	D	
Date:	02/28/24	Drawing No.:	296742	
Rev. Appvd. By:	CL	Rev.:	A	
Date:	02/20/24			

8 7 6 5 4 3 2 1