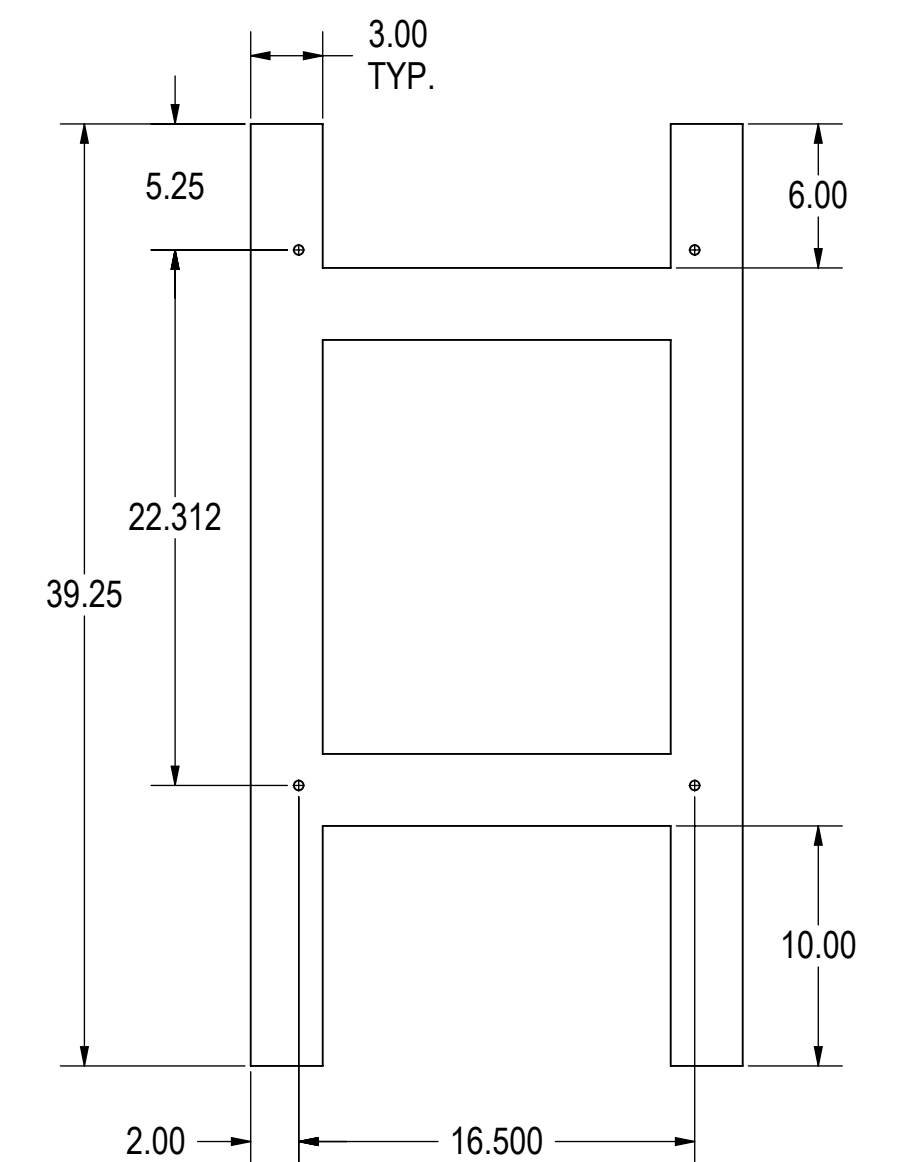
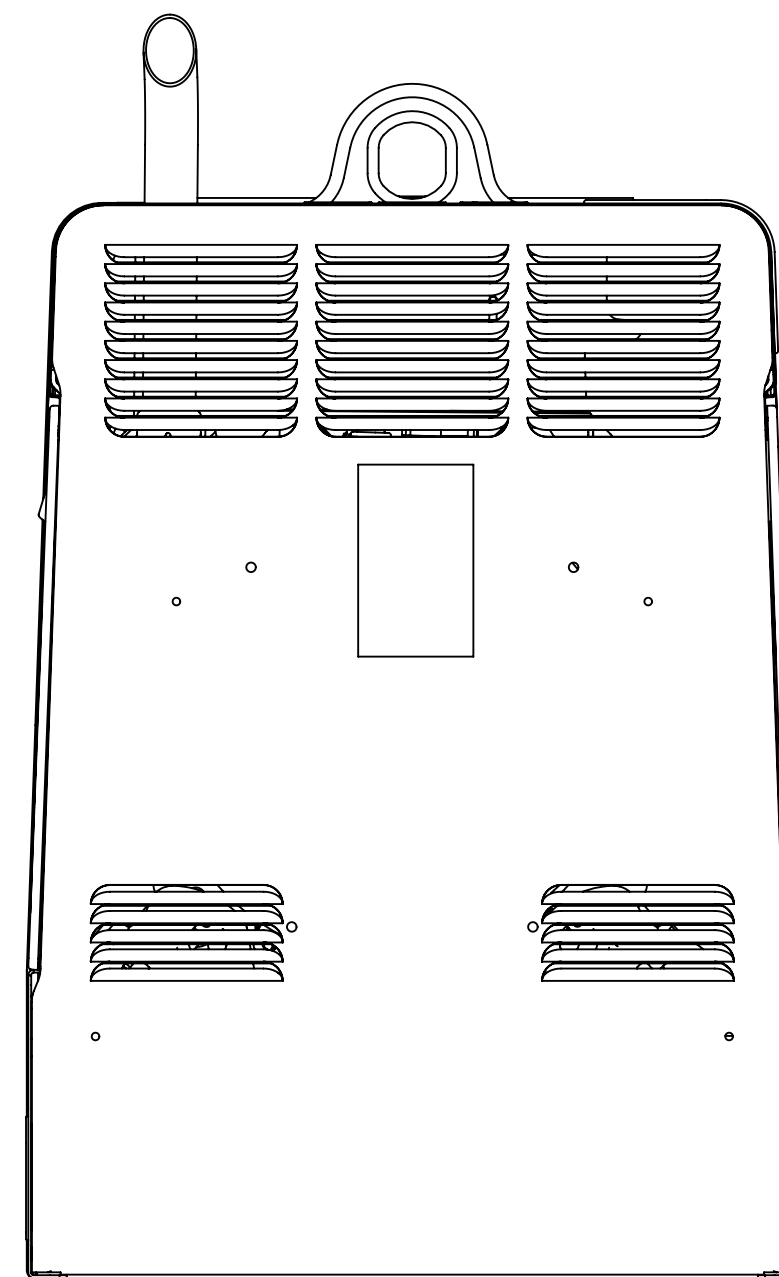
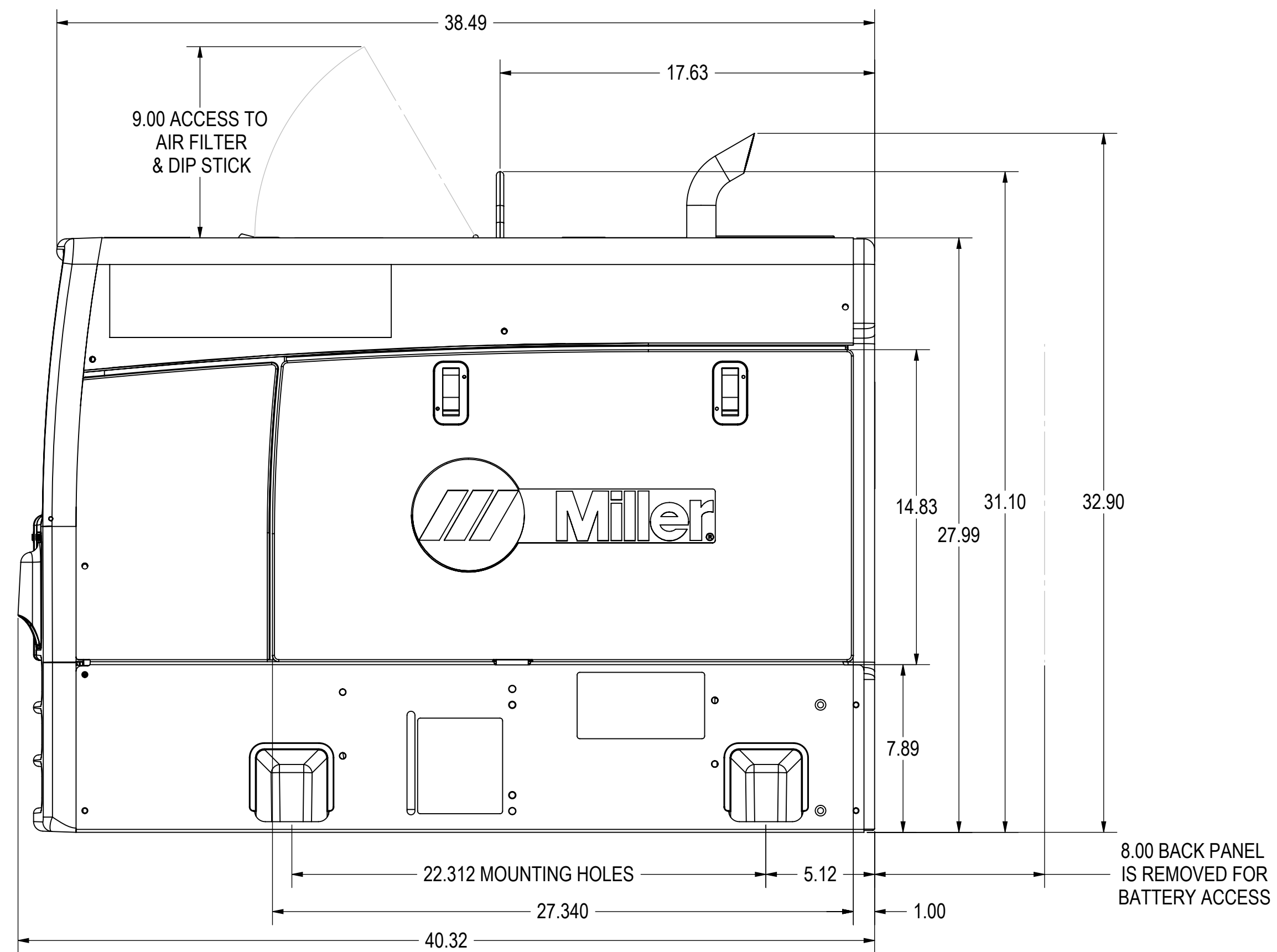
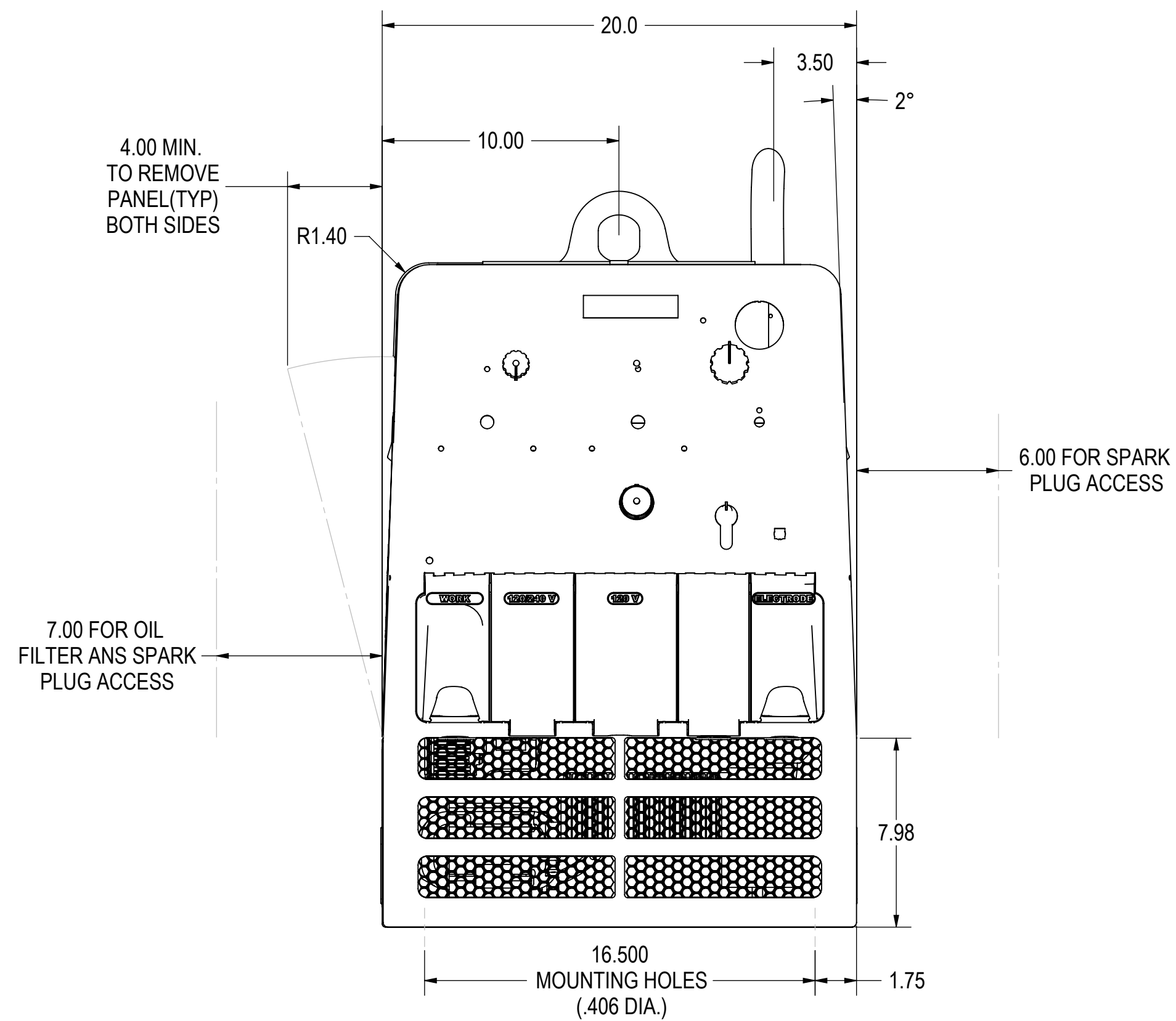
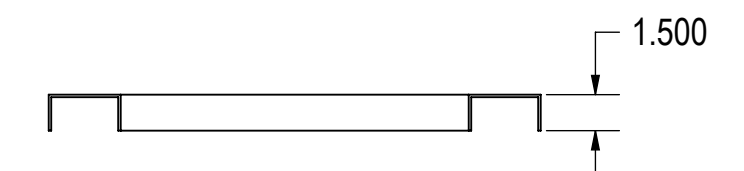


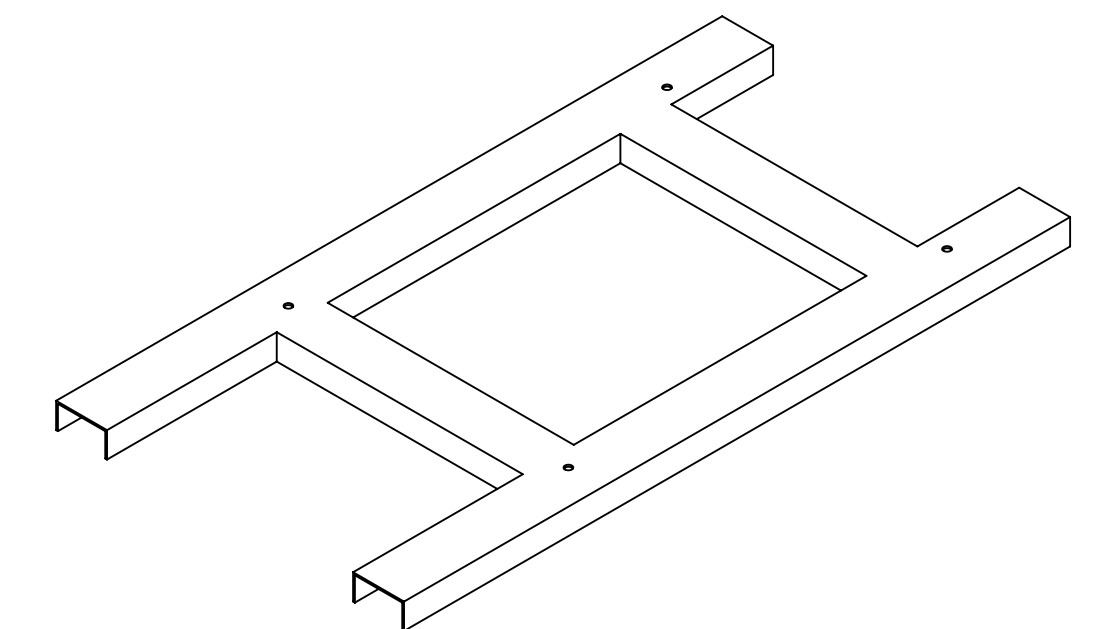
PRIMARY COOLING AIR: LOWER FRONT & LOWER REAR PANEL
HOT AIR EXIT: TOP OF REAR PANEL & TOP COVER



MINIMUM GAUGE = 12



8.00 BACK PANEL IS REMOVED FOR BATTERY ACCESS



Dimensions are in INCHES Unless Otherwise Specified				MILLER ELECTRIC MFG. LLC, APPLETON, WI, USA An ITW Welding Company Title: ILLUS.MACHINE LAYOUT	
Decimal: 0.XX : 0.XXX : 0.XXXX : Fractional : Angular : Machine Finish :				NOT TO SCALE CONFIDENTIAL SHEET: 1 of 1 <small>© MILLER ELECTRIC MFG. LLC/MILLER. THIS DOCUMENT AND THE INFORMATION CONTAINED THEREIN, INCLUDING BUT NOT LIMITED TO, ALL RIGHTS RESERVED. MILLER ELECTRIC MFG. LLC/MILLER IS MILLER PROPERTY AND CONFIDENTIAL INFORMATION AND SHALL NOT BE REPRODUCED OR DISTRIBUTED WITHOUT MILLER'S EXPRESS WRITTEN CONSENT. THIS MATERIAL SHALL BE KEPT SECRET FOR THE PURPOSE SET FORTH BY MILLER AND SHALL BE RETURNED TO MILLER UPON REQUEST.</small>	
Rev	Date	By	ECO	Revision Description	Orig. Cmn. By: JAJ/ALJ Date: 12/8/11 Rev. Apprv. By: --- Date: ---
					Size: D Drawing No: 251959 Rev: A