

HDI™ Air Pak™ Series

Issued Oct. 2024 • Index No. HD/1.0

Hydraulic-Driven Multiprocess Welder/
Air Compressor/Generator/
Battery Charger/Crank Assist



Quick Specs

Processes

DC stick (SMAW)
MIG (GMAW)*
Aluminum MIG (GMAW)*
Flux-cored (FCAW)*
DC TIG (GTAW)
Air carbon arc (CAC-A)
265 Air Pak 3/16-inch carbons
325 Air Pak 3/16-inch carbons (rated)
1/4-inch carbons (capable)

*With wire feeder.

Hydraulic Requirements

Air Compressor (100% duty cycle)

Generator Power (Continuous)

Battery Charge

Crank Assist

Output Range

DC stick/TIG

MIG/flux-cored

265 Air Pak

11 gpm
40 cfm at 100 psi,
max. 40 cfm
7,000 watts
12/24 V, 150 A
12/24 V, 300 A
20–265 A
14–30 V

325 Air Pak

16 gpm
58 cfm at 100 psi,
max. 60 cfm
7,000 watts
12/24 V, 150 A
12/24 V, 300 A
20–325 A
15–40 V

Powerful hydraulically driven all-in-one unit designed for the rugged work truck industry with multiprocess weld quality, auxiliary power, air compressor, and battery charge/crank assist. This unit is designed with industry-leading technologies to provide the support and reliability you need on the job, while reducing payload for increased capabilities.

NEW!



HDI 265 Air Pak

HDI 325 Air Pak



Get more payload
Increase payload with lighter and smaller footprint.



Quiet operation
Reduced sound levels lower noise on the jobsite and operator fatigue.



Industry leading weld quality
Best-in-class welding performance, reliability and support.



Modular remote panels
Individual panels allow for customized set up for quick, easy access.



Simple set up
Save time with a single, easy-to-use panel for air compressor and weld parameter settings.



Proactive maintenance
Alerts help plan necessary service time.



Welder/generator/air compressor/hydraulic motor/battery charger is warranted for three years, parts and labor.



Miller Electric Mfg. LLC
An ITW Welding Company
1635 West Spencer Street
P.O. Box 1079
Appleton, WI 54912-1079 USA

Equipment Sales US and Canada
Phone: 866-931-9730
International Phone: 920-735-4554

MillerWelds.com
f x y o i n



HDI™ Air Pak™ Series Benefits



HDI Air Pak Series configuration:

- Rotary screw air compressor
- Integrated multiprocess welding with Auto-Set™
- Generator power
- Battery charge/crank assist
- Integrated compressor heater
- Hydraulic cooler bypass

Comes standard with user interface panel, battery charge/crank assist panel, and weld output panel.



Smaller and lighter

Uses less truck space and payload.



Modular remote panels

Innovative LCD user interface panel improves the user experience, provides full visibility to the system and empowers technicians to manage their power needs. Also included is a battery charge/crank assist panel and weld output panel. An optional auxiliary power panel is available.



Hydraulic motor

The HDI Air Pak includes a high-precision external gear motor converting hydraulic energy into dependable mechanical power. Wide oil viscosity temperature range and pressure up to 3,000 psi for optimum performance in variable climate conditions.



Simplified maintenance

With reduced touch points, the HDI simplified design provides for quick and easy maintenance.



Two-Speed load sensing

Auto-sensing hydraulic motor speed — reducing maintenance costs and noise for more efficient jobsites.



CAN bus connectivity

Connect your HDI Air Pak to a telematics system to track service intervals, schedule maintenance proactively and improve diagnostics.

HDI™ Air Pak™ Series Features



Air compressor

Rotary-screw compressor with 40 cfm (265 model) or 60 cfm (325 model) can power virtually any air tool, including most one-inch impact wrenches. The rotary-screw compressor reliably provides air on demand. Compressor oil heater included.



Generator power

7,000-watt generator can handle most jobsite electrical needs — electrical tools, lights, and more.

The optional auxiliary power panel provides two 120-volt GFCI-protected duplex receptacles and one 120/240-volt receptacle with 60 Hz current.



Battery charge/crank assist

Up to 150 amps of DC current is produced to quickly charge 12- and 24-volt batteries. Also provides jobsite equipment with weak batteries up to 300 amps of crank assist.



Integrated multiprocess welding

The HDI Air Pak provides multiprocess weld capabilities with 265 amps (265 model) or 325 amps (325 model) of output (100 percent duty cycle), so technicians are prepared for each welding job they encounter in the field.



Direct spool gun connection

Make it easy to weld aluminum. Expand the types of jobs you can take on. Adapters are no longer required with the integrated 10-pin connection. Optimized for Spoolmate™ and Spoolmatic® spool guns.



14-pin remote receptacle

Receptacle (HDI 325 model only) allows connection of legacy wire feeders and accessories.



Auto-Set™ technology

Auto-Set offers predefined weld settings to increase ease of use and ensure that the job is done right for operators of all skill levels.



Hydraulic bypass cooler

Integrated hydraulic cooler bypass reduces hydraulic fluid temperature while operating crane equipment without the hydraulic motor spinning, enhancing steady crane control and optimizing performance.

Function and Benefit Guide



User interface panel



Battery charge/crank assist panel



Weld output panel



Optional auxiliary power remote panel

1. **LCD screen/visual dashboard** shows key performance indicators of all system functions and lets operator change settings and configurations easily and quickly.
2. **Welding menu button** enables weld mode. Once in weld mode, select weld process and weld settings.
3. **Battery charge button.** Once in battery charge mode, select either 12V or 24V charge or crank assist.
4. **USB port** allows software updates from a USB drive. A summary file of recoded data from the unit will be saved to a USB drive that is inserted.
5. **Air compressor button** turns the air compressor on/off.

6. **Menu button** provides access to settings, maintenance and system information menus.
7. **Auto-Set™ control button** activates feature in weld mode.
8. **On/off start and shutdown button** powers unit on and off.
9. **Pushbutton main control knob** adjusts amperage/voltage.
10. **Battery charge/crank assist receptacle** for Anderson-style connection to battery charge/crank assist (12 or 24 volt).
11. **Weld output receptacles (Tweco®-style).**
12. **Optional 120 V receptacles w/circuit breakers and 120/240 V, 50 A receptacle**
Note: For matching 50 A plug, order 119172.

Hydraulic Requirements

Model	Hydraulic Drive	Rating	Motor Size	High Speed	Low Speed	Required Minimum Hydraulic Flow
HDI™ 265 Air Pak™	Gear motor	3,000 psi, 250 bar	14 cc	2,800 rpm	1,850 rpm	11 gpm
HDI™ 325 Air Pak™			19 cc			16 gpm

Battery and Weld Specifications

Model	Process	Output Ranges	Rated Output at 104°F (40°C)*	Single-Phase Generator Power	Sound Levels at 7 m (23 ft.)	Dimensions	Net Weight**		
HDI 265 Air Pak	Battery charge/crank assist	12/24 V	Charge: 150 A, Crank assist: 300 A	Continuous: 7,000 watts Peak: 7,500 watts	66.5 dB (no load) 74.8 dB (load)	Machine H: 26.6 in. (676 mm) W: 20.8 in. (528 mm) D: 32.9 in. (836 mm) Main Control Panel H: 9.61 in. (244 mm) W: 10.3 in. (261 mm) D: 2.7 in. (69 mm)	457 lb. (207 kg)		
	DC stick	20–265 A	265 A at 30 V, 100% duty cycle						
	DC TIG	20–265 A							
	MIG/FCAW	14–30 V							
HDI 325 Air Pak	Battery charge/crank assist	12/24 V	Charge: 150 A, Crank assist: 300 A	Continuous: 7,000 watts Peak: 7,500 watts	66 dB (no load) 77 dB (load)				
	DC stick	20–325 A	325 A at 30 V, 100% duty cycle						
	DC TIG	20–325 A							
	MIG/FCAW	15–40 V							

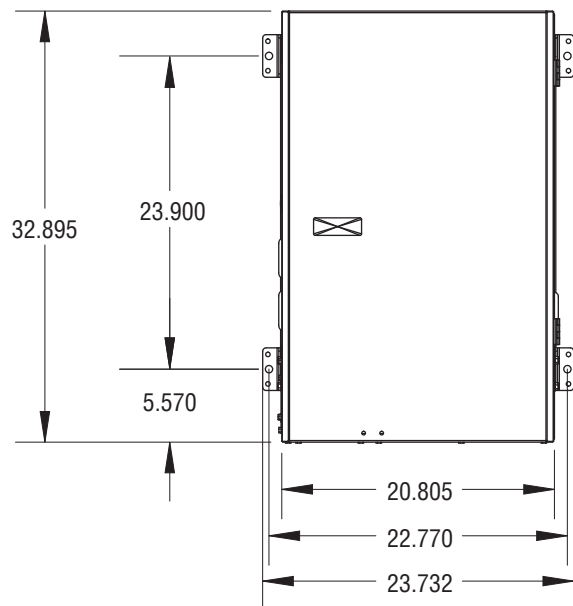
*Rated at sea level. **Net weight without oil, but with included user interface, weld output, and battery charge/crank assist panels.

Air Compressor Specifications

Model	Air Compressor Brand and Warranty	Features	Free Air Delivery	Working Pressure	Duty Cycle	Oil Capacity	Automatic Compressor Shutdowns
HDI 265 Air Pak	ROTORCOMP®, covered under the Miller® 3-year warranty	Rotary screw with electric clutch for on/off, oil change intervals 500 hours	40 cfm (1.13 m³/min.)	90–175 psig	100%	3 qt. (2.8 L)	High pressure (200 psi), high temperature
HDI 325 Air Pak			60 cfm (1.70 m³/min.)	90–175 psig			

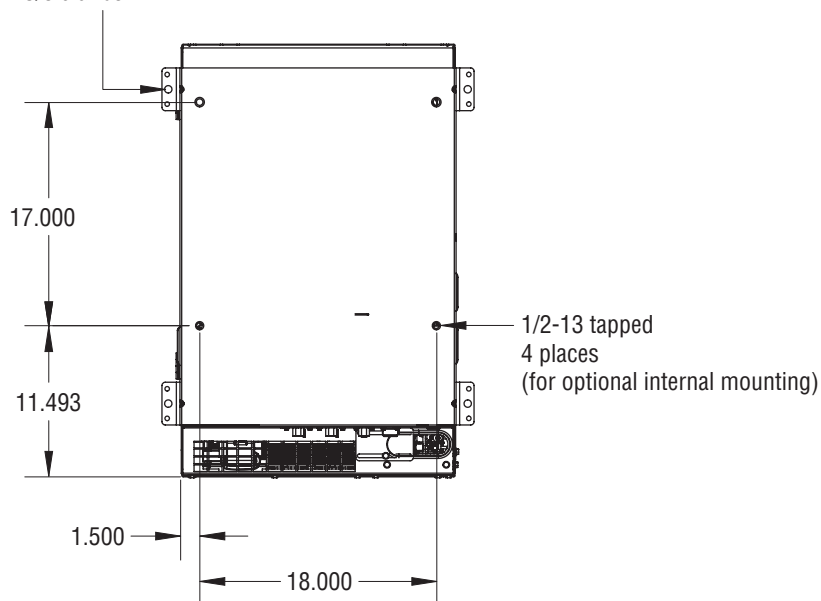
Mounting Specifications (See owner's manual for complete installation requirements.)

Note: All measurements are in inches.



For truck installation information, visit MillerWelds.com/WTdrawings

Ø.563 4 places
(for external mounting)
3/8 dia. bolt min.

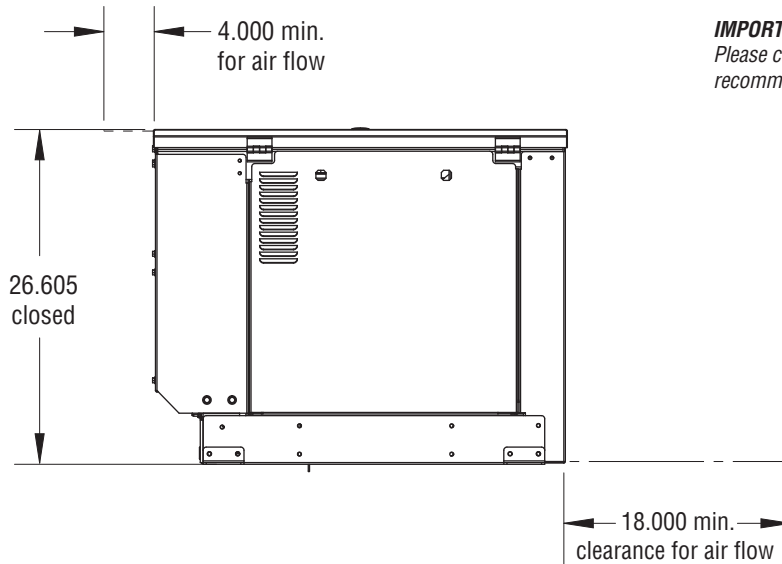
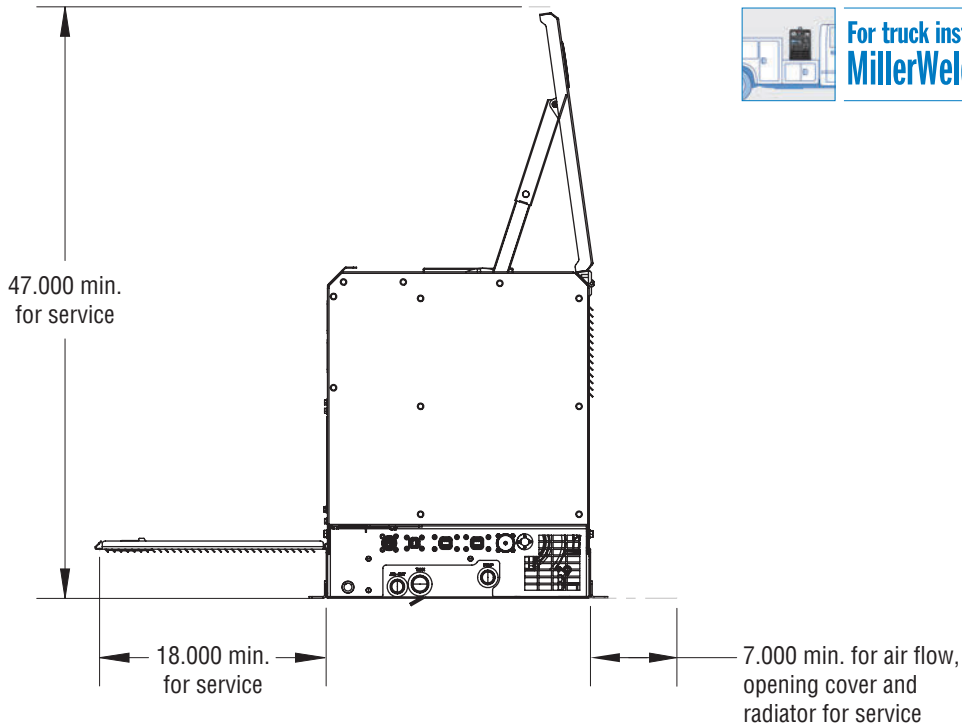


Mounting Specifications (See owner's manual for complete installation requirements.)

Note: All measurements are in inches.



For truck installation information, visit MillerWelds.com/WTdrawings



IMPORTANT: Minimum clearance for air flow is subject to change. Please contact your Work Truck Territory Manager for installation recommendations if installation is less than noted specifications.

Genuine Miller® Accessories

Maintenance Kit



Air Compressor Service Kit 279123
Includes compressor oil filter, inlet air filter, oil/air separator and compressor oil.

Accessory Kit Package



Ready To Work Accessory Kit 951858
Includes auxiliary power remote panel, battery charge/jump cables, and 50 ft. (15.2 m) weld cables with electrode holder and work clamp.

Crane Communications

Crane/Communications Adapter 300832 Six Wire Crane

Weld Accessories

2/0 Weld Cable Sets 301566
350 amps, 100 percent duty cycle. 50-foot (15.2 m) cables with Tweco®-style male connectors and either an electrode holder or work clamp.



2/0 Weld Cables
195457 Cable with electrode holder
195458 Cable with work clamp
400 amps, 100 percent duty cycle. 10-foot (3 m) cable with Tweco®-style male connector and either an electrode holder or work clamp. Each includes a stud/Tweco® adapter.



2/0 Weld Cable Extension 195456
50-foot (15 m) cable extends weld cables 195457 and 195458. Two needed for a complete set.



No. 2 Weld Cable Sets 195196
200 amps, 100 percent duty cycle. 15-foot (4.6 m) cables with either an electrode holder or work clamp.



Tweco®-Style Connector 191981
Male Tweco-style plug.



ArcReach® SuitCase® 8
951726001 With Bernard® BTB Gun 300 A
951727 With Bernard® S-Gun™
951728 With Bernard® Dura-Flux™ gun
ArcReach® SuitCase® 12
951729001 With Bernard® BTB Gun 300 A
951730 With Bernard® S-Gun™
951731 With Bernard® Dura-Flux™ gun
Portable feeder designed to run off of arc voltage. See literature M/6.55.



Spoolmatic® 30A Spool Gun 130831
Rated at 200 amps, 100 percent duty cycle with 30-foot (9 m) cable. Also see MIG Aluminum Accessory Kit (**951881**) in Accessory Kit Packages section.



Spoolmate™ 200 Spool Gun 300497
Rated at 160 amps, 60 percent duty cycle with 20-foot (6 m) cable.

Extension Hose and Cable Kit 132228
25 ft. (7.6 m). For Spoolmatic 30A and Spoolmate 200 spool guns.

Flow Gauge Regulator 31-50-580
0–50 scfh, argon/CO₂

Genuine Miller® Accessories

Air Compressor Accessories



Air Dryer Kit 301488

Cools and removes moisture from the air supply.

Note: Not recommended for use below 32°F (0°C). Water condensate in the cooler or separator can freeze causing reduced or blocked airflow.



Desiccant Air Dryer System 195117

A regenerating inline air dryer system that eliminates moisture in the air stream to prevent air tool freeze-ups in cold climates. Internal

thermostat and heating elements ensure good air quality in all climates. Side mounted system.

Generator Power Accessories



Auxiliary Power Remote Panel 301562

Includes two 120 V receptacles w/circuit breakers and one 120/240 V, 50 A

receptacle. **Cablings NOT included.**



Full KVA Plug Kit 119172

120/240 V, 50 A plug (NEMA 14-50P) to fit full KVA receptacle.

GFCI Receptacle 282067

15/20 A receptacle with mounting tabs.



Female Receptacle



Full KVA Adapter Cord 300517

NEMA 14-50P to NEMA 6-50R. Adapts engine drive 120/240 V plug to common Millermatic® and Spectrum® 240 V plug.

Battery Charge/Crank Assist Accessories



Battery Charge/Jump Cables with Plug 300422 25 ft. (7.6 m)

Plug-In Welders



Multimatic® 215 with TIG Contractor Kit 951674

Portable, all-in-one multiprocess welder features excellent arc characteristics. Connects to 120- or 240-volt power. See literature DC/12.59.

Plasma Cutters



Spectrum® 375 X-TREME™ 907529

Comes complete with protective X-CASE™ (not shown). See literature PC/9.2.



Spectrum® 625 X-TREME™ 907579

Comes complete with protective X-CASE™ (not shown). See literature PC/9.6.

Additional Accessories for HDI™ 325 Air Pak™ Model Only



SuitCase® 12RC Wire Feeder 951580001

Lightweight and flexible enough to run wires up to .062-inch diameter. Includes remote voltage control, drive roll kit and Bernard® BTB Gun 300 A. See literature M/6.5.



Wireless Remote Hand Control 301582

For remote current, voltage and contactor control. Receiver plugs directly into the 14-pin receptacle of Miller machine. Up to 300-foot (91.4 m) operating range.



RHC-14 Hand Control 242211020

Miniature hand control for remote current and contactor control. Dimensions: 4 x 4 x 3.25 inches (102 x 102 x 82 mm). Includes 20-foot (6 m) cord and 14-pin plug.

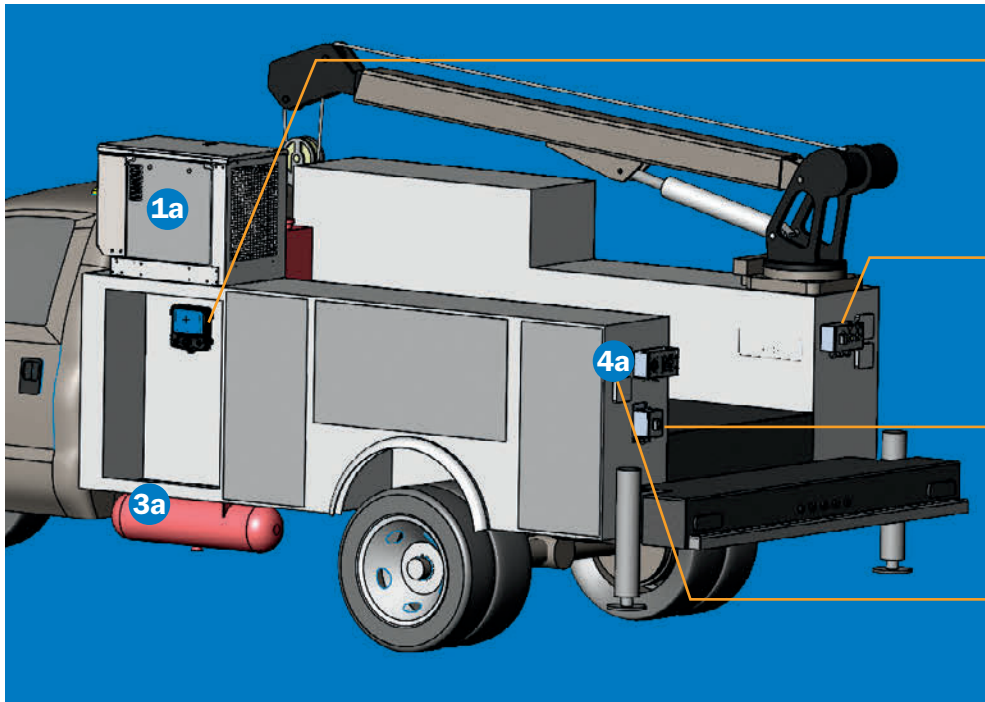
Extension Cables for 14-Pin Remote Controls

242208025 25 ft. (7.6 m)

242208050 50 ft. (15.2 m)

242208080 80 ft. (24.4 m)

HDI™ Air Pak™ Models, Kits and Accessories Selection



User interface panel
Included on all models. Includes 30 feet (9 m) of cabling and 3 foot (0.9 m) pigtail on the interface panel.



Weld output panel
Included on all models. Cabling is provided by integrator.



Battery charge/crank assist panel
Included on all models. Cabling is provided by integrator.



Auxiliary power remote panel
Optional on all models. Cabling is provided by integrator.

1 HDI Air Pak Models and Kits

a CHOOSE an HDI model

Included on both models are user interface panel with 30 ft. (9 m) of cabling and 3 foot (0.9 m) pigtail on the interface panel, weld output panel, battery charge/crank assist panel, hydraulic cooler bypass, and compressor oil heater.

- b Air compressor service kit
- c Ready to work accessory kit
- d Six Wire Crane adapter

HDI Air Pak Series Accessories (sold separately)

2 Weld

- a Weld cables and connectors (see page 8 for options)
- b Wire feeders (see page 8 for options)
- c Spool guns / spool gun accessories (see page 8 for options)

3 Air Compressor

- a **REQUIRES 10-gallon minimum (20-gallon recommended) air reservoir for installation — NOT provided by Miller**
- b Air dryer kits

4 Generator Power

- a Auxiliary power remote panel
- b Adapter cords and plugs

5 Battery Charge / Crank Assist

- a Battery charge / jump assist cables

Ordering Information

Equipment and Options	Stock No.	Description	Qty.	Price
1a HDI™ 265 Air Pak™	907868	Welder, air compressor, generator power, battery charge/crank assist, hydraulic cooler bypass, and compressor oil heater		
HDI™ 325 Air Pak™	907869	Welder, air compressor, generator power, battery charge/crank assist, hydraulic cooler bypass, and compressor oil heater		
Maintenance Kits				
1b Air Compressor Service Kit	279123	Includes compressor oil filter, inlet air filter, oil/air separator and compressor oil		
Accessory Kit Package				
1c Ready To Work Accessory Kit	951858	Includes auxiliary power remote panel (cabling not included), battery charge/jump cables, and 50 ft. (15.2 m) weld cables with electrode holder and work clamp		
Crane/Communications Adapter				
1d Six Wire Crane Adapter	300832			
Weld Accessories				
2a Weld Cables and Connectors		See page 8		
2b Wire Feeders		See page 8		
2c Spool Guns/Spool Gun Accessories		See page 8		
Air Compressor Accessories				
3a	REQUIRES 10-gallon (20-gallon recommended) minimum air reservoir for installation — NOT provided by Miller			
3b Air Dryer Kit	301488	Cools and removes moisture from the air supply		
Desiccant Air Dryer System	195117	Regenerating inline air dryer system that eliminates moisture in the air stream		
Generator Power Accessories				
4a Auxiliary Power Remote Panel	301562	Includes and two 120 V receptacles w/circuit breakers and one 120/240 V, 50 A receptacle (no EnVerter receptacles) — cabling NOT included		
4b Full KVA Plug Kit	119172	120/240 V, 50 A plug (NEMA 14-50P) to fit full KVA receptacle		
GFCI Receptacle	282067	15/20 A receptacle with mounting tabs		
Full KVA Adapter Cord	300517	NEMA 14-50P to NEMA 6-50R. Adapts engine drive 120/240 V plug to common Millermatic® and Spectrum® 240 V plug		
Battery Charge/Crank Assist Accessories				
5a Battery Charge/Jump Cables with Plug	300422	25 ft. (7.6 m)		
Plug-In Welders				
		See page 9 (requires auxiliary power remote panel on page 9)		
Plasma Cutters				
		See page 9 (requires auxiliary power remote panel on page 9)		
Additional Accessories for HDI 325 Air Pak Model Only				
SuitCase® 12RC Wire Feeder	951580001			
Wireless Remote Hand Control	301582			
RHC-14 Hand Control	242211020			
Extension Cables for 14-Pin Remote Controls		See page 9		

Date:

Total Quoted Price:

Distributed by:

