

HDI™ Air Pak™ Series

Issued March 2025 • Index No. HD/1.0

Hydraulically-Driven Multiprocess Welder/
Air Compressor/Generator/
Battery Charger/Crank Assist



Quick Specs

Processes

DC stick (SMAW)
MIG (GMAW)*
Aluminum MIG (GMAW)*
Flux-cored (FCAW)*
DC TIG (GTAW)
Air carbon arc (CAC-A)

HDI 265 Air Pak 3/16-inch carbons
HDI 325 Air Pak 3/16-inch carbons (rated)
1/4-inch carbons (capable)

*With wire feeder.

Hydraulic Requirements

Air Compressor (100% duty cycle)

Battery Charge/Crank Assist (12/24 V)

Generator Power (Continuous)

**Output Range (DC stick/TIG)
(MIG/flux-cored)**

HDI 265 Air Pak

11 gpm
40 cfm at 100 psi,
max. 40 cfm
150 A charge
300 A crank assist
7,000 watts
30–265 A
14–30 V

HDI 325 Air Pak

16 gpm
58 cfm at 100 psi,
max. 60 cfm
150 A charge
300 A crank assist
7,000 watts
30–325 A
15–40 V

Powerful hydraulically driven all-in-one unit designed for the rugged work truck industry with air compressor, battery charge/crank assist, auxiliary power, and multiprocess welding. The HDI Air Pak is designed with industry-leading technologies to provide the support and reliability you need on the job, while reducing payload for increased capabilities.

NEW!



HDI 265 Air Pak and
HDI 325 Air Pak (shown)
models available.



User interface panel



Battery charge/crank assist panel



Weld output panel



Auxiliary power remote panel

Installation option on both models



Welder/generator/air compressor/hydraulic motor/battery charger
is warranted for three years, parts and labor.



Miller Electric Mfg. LLC
An ITW Welding Company
1635 West Spencer Street
P.O. Box 1079
Appleton, WI 54912-1079 USA

Equipment Sales US and Canada
Phone: 866-931-9730
International Phone: 920-735-4554

MillerWelds.com
f X YouTube Instagram LinkedIn



HDI™ Air Pak™ Series Benefits



HDI Air Pak Series configuration:

- Rotary screw air compressor
- Battery charge/crank assist
- Generator power
- Integrated multiprocess welding with Auto-Set™ technology
- Integrated compressor heater
- Hydraulic cooling only mode

Comes standard with user interface panel, battery charge/crank assist panel, and weld output panel.



Smaller and lighter

Maximize truck space and increase payload by reducing equipment footprint by up to 54 percent and weight by up to 400 pounds compared to using an engine-driven welder and separate compressor.



Simple set up

Save time with a single, easy-to-use interface that shows key performance indicators for all systems and allows operators to easily change settings and parameters.



Quieter operation

Reduced sound levels lower noise on the jobsite and operator fatigue.



Proactive maintenance

Alerts help plan necessary service time.



Industry-leading weld quality

Best-in-class welding performance, reliability and support. Technicians are prepared for any welding job they encounter in the field. Auto-Set™ technology makes welding straight forward and accurate for technicians of all skill levels.



Simplified maintenance

Routine service is quick and easy with push-to-open latches providing access to maintenance points inside of the HDI Air Pak without the need for tools.



Modular remote panels

Remote panels and outputs for battery charge, welding, and auxiliary power can be installed at the point-of-use for convenience. Eliminate the need to climb onto the truck — reducing risk of slip, trip, or fall injuries.



Two-speed load sensing

Auto-Speed™ technology automatically varies motor speed to match compressed air, battery charge and weld demands — reducing noise for a safer, more efficient job site.



CAN bus connectivity

Connect your HDI Air Pak to a telematics system to track service intervals, schedule maintenance proactively, and improve diagnostics.

HDI™ Air Pak™ Series Features



Air compressor

Rotary-screw compressor with 40 cfm (265 model) or 60 cfm (325 model) can power virtually any air tool, including most one-inch impact wrenches. The rotary-screw compressor reliably provides air on demand. Compressor oil heater included.



Integrated multiprocess welding

The HDI Air Pak provides multiprocess weld capabilities with 265 amps (265 model) or 325 amps (325 model) of output (100 percent duty cycle), so technicians are prepared for each welding job they encounter in the field.



Battery charge/crank assist

Up to 150 amps of DC current is produced to quickly charge 12- and 24-volt batteries. Also provides jobsite equipment with weak batteries up to 300 amps of crank assist.



Auto-Set™ technology

Auto-Set offers predefined weld settings to increase ease of use and ensure that the job is done right for operators of all skill levels.



Direct pool gun connection

Make it easy to weld aluminum. Expand the types of jobs you can take on. Adapters are no longer required with the integrated 10-pin connection. Optimized for Spoolmate™ and Spoolmatic® spool guns.



14-pin remote receptacle

Receptacle allows connection of legacy wire feeders and accessories (HDI 325 Air Pak model only).



Generator power

7,000-watt generator can handle most jobsite electrical needs — electrical tools, lights, and more.

The optional auxiliary power panel provides two 120-volt GFCI-protected duplex receptacles and one 120/240-volt receptacle with 60 Hz current.



Hydraulic cooling only mode

When output capabilities are not needed, disable the drive motor of the HDI Air Pak to keep the cooling system operating and cool hydraulic fluid when only other auxiliary hydraulic equipment is needed.

Function and Benefit Guide



User interface panel



Battery charge/crank assist panel



Weld output panel



Auxiliary power remote panel

Installation option on both models

1. **LCD screen/visual dashboard** shows key performance indicators of all system functions and lets operator change settings and configurations easily and quickly.
2. **Welding menu button** enables weld mode. Once in weld mode, select weld process and weld settings.
3. **Battery charge button.** Once in battery charge mode, select either 12V or 24V charge or crank assist.
4. **USB port** allows software updates from a USB drive. A summary file of recorded data from the unit will be saved to a USB drive that is inserted.
5. **Air compressor button** turns the air compressor on/off.
6. **Menu button** provides access to settings, functions, maintenance, and system information menus.
7. **Auto-Set™ control button** activates feature in weld mode.
8. **On/off button** powers unit on and off.
9. **Pushbutton main control knob** to easily navigate settings, change selections, and adjust parameters.
10. **Battery charge/crank assist receptacle** for Anderson-style connection to battery charge/crank assist (12 or 24 volt).
11. **Weld output receptacles (Tweco®-style).**
12. **120 V receptacles w/circuit breakers and 120/240 V, 50 A receptacle (installation option on both models)**
Note: For matching 50 A plug, order 119172.

Hydraulic Specifications

Model	Hydraulic Drive	Required Working Pressure	Motor Size	High Speed	Low Speed	Required Minimum Hydraulic Flow
HDI™ 265 Air Pak™	Gear motor	3,000 psi, 250 bar	14 cc	2,800 rpm	1,850 rpm	11 gpm
HDI™ 325 Air Pak™			19 cc			16 gpm

Air Compressor Specifications

Model	Air Compressor Brand and Warranty	Features	Free Air Delivery*	Working Pressure	Duty Cycle	Oil Capacity	Automatic Compressor Shutdowns
HDI™ 265 Air Pak™	Rotorcomp, covered under the Miller® 3-year warranty	Rotary screw with electric clutch for on/off, oil change intervals 500 hours	40 cfm (1.13 m³/min.)	90–175 psig	100%	3 qt. (2.8 L)	High pressure (200 psi), high temperature
HDI™ 325 Air Pak™			60 cfm (1.70 m³/min.)	90–175 psig			

*Rated outputs at generator speed 3,600 rpm / hydraulic motor 2,800 rpm.

Battery and Weld Specifications

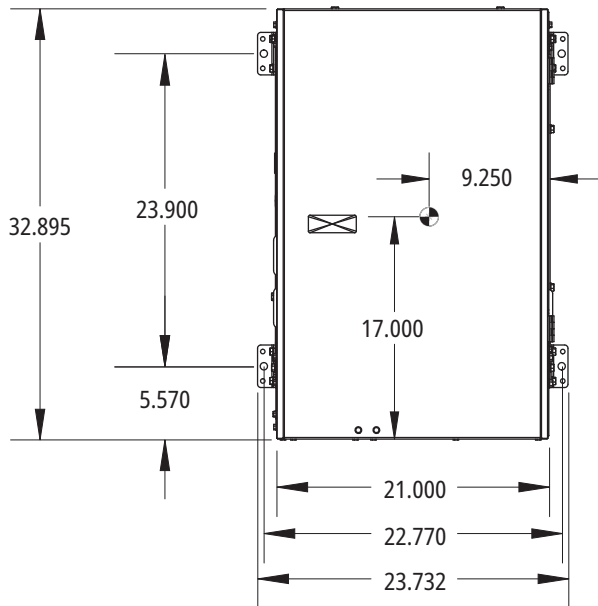
Model	Process	Output Ranges	Rated Output at 104°F (40°C)*	Single-Phase Generator Power	Sound Levels at 7 m (23 ft.)	Dimensions	Net Weight**
HDI™ 265 Air Pak™	Battery charge/crank assist	12/24 V	Charge: 150 A, Crank assist: 300 A	Continuous: 7,000 watts Peak: 7,500 watts	66.5 dB (no load) 74.8 dB (load)	Machine H: 26.6 in. (676 mm) W: 21 in. (533 mm) D: 32.9 in. (836 mm) Main Control Panel H: 9.61 in. (244 mm) W: 10.3 in. (261 mm) D: 2.7 in. (69 mm)	465 lb. (211 kg)
	DC stick	30–265 A	265 A at 30 V, 100% duty cycle				
	DC TIG	30–265 A					
	MIG/FCAW	14–30 V					
HDI™ 325 Air Pak™	Battery charge/crank assist	12/24 V	Charge: 150 A, Crank assist: 300 A	Continuous: 7,000 watts Peak: 7,500 watts	66 dB (no load) 77 dB (load)	Machine H: 26.6 in. (676 mm) W: 21 in. (533 mm) D: 32.9 in. (836 mm) Main Control Panel H: 9.61 in. (244 mm) W: 10.3 in. (261 mm) D: 2.7 in. (69 mm)	465 lb. (211 kg)
	DC stick	30–325 A	325 A at 30 V, 100% duty cycle				
	DC TIG	30–325 A					
	MIG/FCAW	15–40 V					

*Rated at sea level with rated outputs at generator speed 3,600 rpm / hydraulic motor 2,800 rpm.

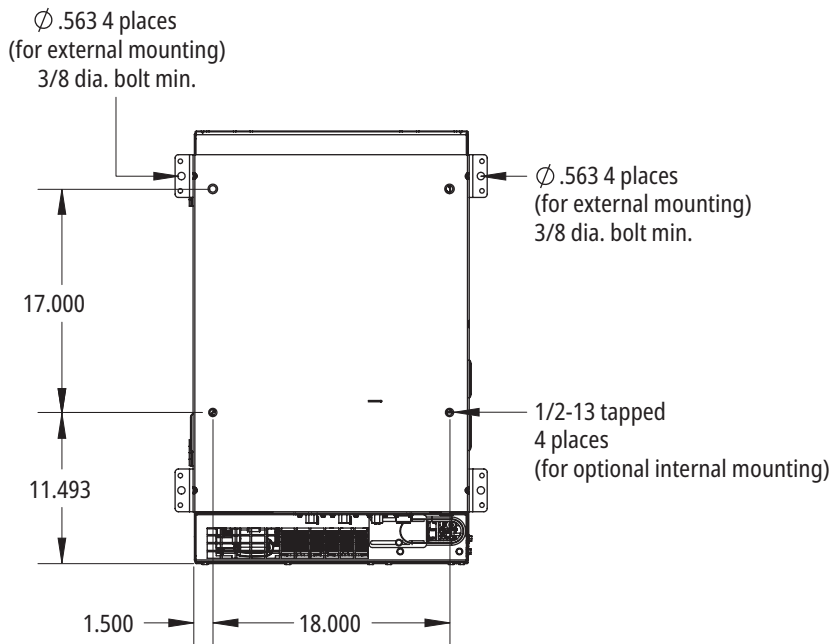
**Net weight without oil, but with included user interface, weld output, and battery charge/crank assist panels.

Mounting Specifications (See owner's manual for complete installation requirements.)

Note: All measurements are in inches.

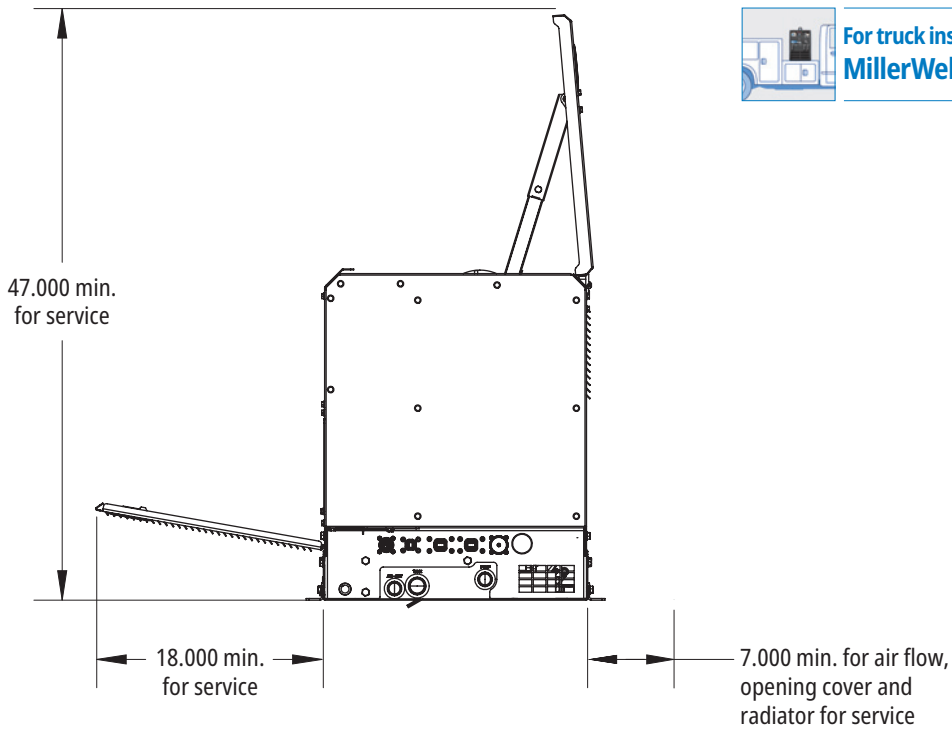


For truck installation information, visit MillerWelds.com/WTdrawings

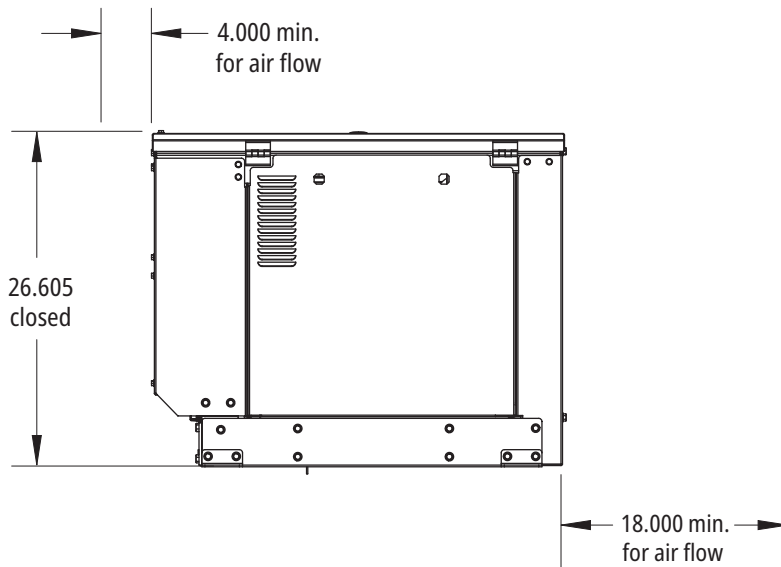


Mounting Specifications (See owner's manual for complete installation requirements.)

Note: All measurements are in inches.



For truck installation information, visit MillerWelds.com/WTdrawings



Maintenance Kit



Air Compressor Service Kit 279123
Includes compressor oil filter, inlet air filter, oil/air separator and compressor oil.

Accessory Kit Package



Ready To Work Accessory Kit 951858
Includes auxiliary power remote panel, battery charge/jump cables, and 50 ft. (15.2 m) weld cables with electrode holder and work clamp.

Hydraulic Accessories



Hydraulic Tank Reservoir Kit 301612
20 gal. (76 L)

Crane/Communication Adapters

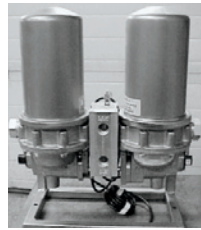
- 300832** Six Wire Crane
- 301857** Stellar CDT
- 301858** IMT
- 301859** Auto Crane

Air Compressor Accessories



Air Dryer Kit 301488
Cools and removes moisture from the air supply.

Note: Not recommended for use below 32°F (0°C). Water condensate in the cooler or separator can freeze causing reduced or blocked airflow.



Desiccant Air Dryer System 195117
A regenerating inline air dryer system that eliminates moisture in the air stream to prevent air tool freeze-ups in cold climates. Internal thermostat and heating elements ensure good air quality in all climates. Side mounted system.

Battery Charge/Crank Assist Accessories



Battery Charge/Jump Cables with Plug 300422 25 ft. (7.6 m)

Generator Power Accessories



Auxiliary Power Remote Panel 301562
Includes two 120 V receptacles with circuit breakers and one 120/240 V, 50 A receptacle. **Cabling NOT included.**

receptacle. **Cabling NOT included.**



Full KVA Plug Kit 119172
120/240 V, 50 A plug (NEMA 14-50P) to fit full KVA receptacle.

GFCI Receptacle 282067
15/20 A receptacle with mounting tabs.



Female Receptacle



Full KVA Adapter Cord 300517
NEMA 14-50P to NEMA 6-50R. Adapts engine drive 120/240 V plug to common Millermatic® and Spectrum® 240 V plug.

Weld Accessories

2/0 Weld Cable Sets 301566
350 amps, 100 percent duty cycle. 50-foot (15.2 m) cables with Tweco®-style male connectors and either an electrode holder or work clamp.



2/0 Weld Cables 195457 Cable with electrode holder
195458 Cable with work clamp
400 amps, 100 percent duty cycle. 10-foot (3 m) cable with Tweco®-style male connector and either an electrode holder or work clamp. Each includes a stud/Tweco® adapter.



2/0 Weld Cable Extension 195456
50-foot (15 m) cable extends weld cables 195457 and 195458. Two needed for a complete set.



No. 2 Weld Cable Sets 195196
200 amps, 100 percent duty cycle. 15-foot (4.6 m) cables with either an electrode holder or work clamp.



Tweco®-Style Connector 191981
Male Tweco-style plug.

Genuine Miller® Accessories

Weld Accessories (continued)



ArcReach® SuitCase® 8
951726001 With Bernard® BTB Gun 300 A
951727 With Bernard® S-Gun™
951728 With Bernard® Dura-Flux™ gun
ArcReach® SuitCase® 12
951729001 With Bernard® BTB Gun 300 A
951730 With Bernard® S-Gun™
951731 With Bernard® Dura-Flux™ gun
 Portable feeder designed to run off of arc voltage.
 See literature M/6.55.



Spoolmatic® 30A Spool Gun 130831
 Rated at 200 amps, 100 percent duty cycle with 30-foot (9 m) cable.



Spoolmate™ 200 Spool Gun 300497
 Rated at 160 amps, 60 percent duty cycle with 20-foot (6 m) cable.

Extension Hose and Cable Kit 132228
 25 ft. (7.6 m). For Spoolmatic 30A and Spoolmate 200 spool guns.

Flow Gauge Regulator 31-50-580
 0–50 scfh, argon/CO₂

Plug-In Welders



Multimatic® 215 with TIG Contractor Kit 951674
 Portable, all-in-one multiprocess welder features excellent arc characteristics. Connects to 120- or 240-volt power. See literature DC/12.59.

Plasma Cutters



Spectrum® 375 X-TREME™ 907529
 Comes complete with protective X-CASE™ (not shown). See literature PC/9.2.



Spectrum® 625 X-TREME™ 907579
 Comes complete with protective X-CASE™ (not shown). See literature PC/9.6.

Additional Accessories for HDI™ 325 Air Pak™ Model Only



SuitCase® 12RC Wire Feeder 951580001
 Lightweight and flexible enough to run wires up to .062-inch diameter. Includes remote voltage control, drive roll kit and Bernard® BTB Gun 300 A. See literature M/6.5.



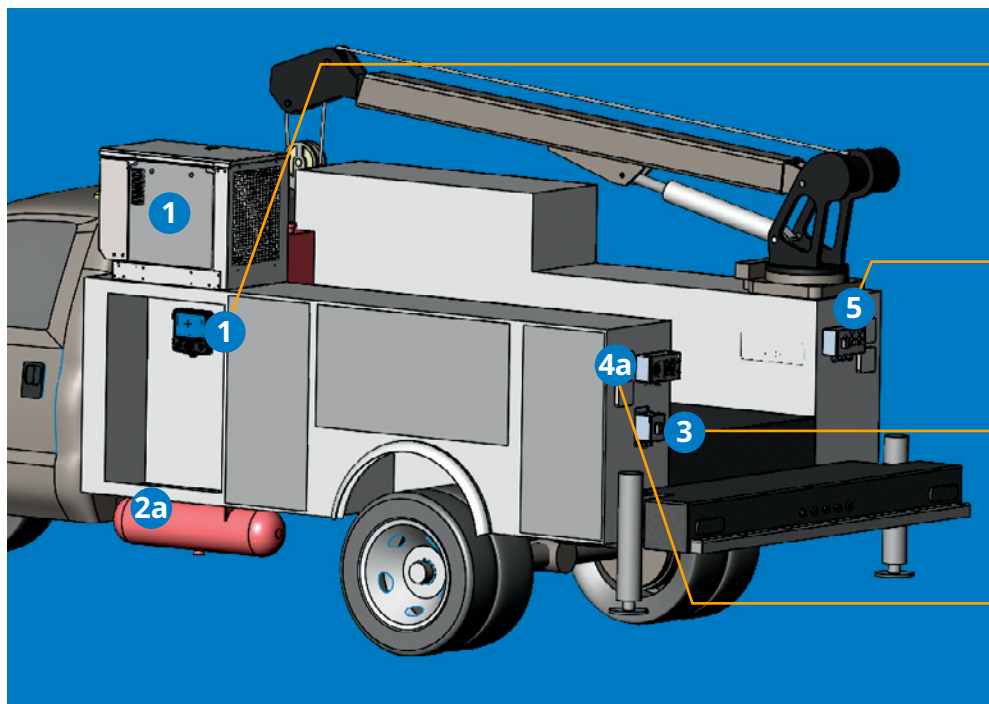
Wireless Remote Hand Control 301582
 For remote current, voltage and contactor control. Receiver plugs directly into the 14-pin receptacle of Miller machine. Up to 300-foot (91.4 m) operating range.



RHC-14 Hand Control 242211020
 Miniature hand control for remote current and contactor control. Dimensions: 4 x 4 x 3.25 inches (102 x 102 x 82 mm). Includes 20-foot (6 m) cord and 14-pin plug.

Extension Cables for 14-Pin Feeders and Controls
242208025 25 ft. (7.6 m)
242208050 50 ft. (15.2 m)
242208080 80 ft. (24.4 m)

HDI™ Air Pak™ Models, Kits and Accessories Selection



User interface panel
Included on all models. Includes 30 feet (9 m) of cabling and 3 foot (0.9 m) pigtail on the interface panel.



Weld output panel
Included on all models. Cabling is provided by integrator.



Battery charge/crank assist panel
Included on all models. Cabling is provided by integrator.



Auxiliary power remote panel
Optional on all models. Cabling is provided by integrator.

1 HDI Air Pak Models and Kits

a CHOOSE an HDI Air Pak model

Included on both models are user interface panel with 30 ft. (9 m) cable, weld output panel, battery charge/crank assist panel, compressor oil heater, and hydraulic cooling only mode.

- b Air compressor service kit
- c Ready to work accessory kit
- d Hydraulic tank reservoir kit (see page 8)
- e Crane / communication adapters (see page 8 for options)

HDI Air Pak Series Accessories (sold separately)

2 Air Compressor

- a **REQUIRES 10-gallon minimum (20-gallon recommended) air reservoir for installation — NOT provided by Miller**
- b Air dryer kits

3 Battery Charge/Crank Assist

- a Battery charge / jump assist cables

4 Generator Power

- a Auxiliary power remote panel
- b Adapter cords and plugs

5 Weld

- a Weld cables and connectors (see page 8 for options)
- b Wire feeders (see page 8 for options)
- c Spool guns / spool gun accessories (see page 8 for options)

Ordering Information

Equipment and Options	Stock No.	Description	Qty.	Price
1a HDI™ 265 Air Pak™	907868	Welder, air compressor, generator power, battery charge/crank assist, compressor oil heater, and hydraulic cooling only mode		
HDH™ 325 Air Pak™	907869	Welder, air compressor, generator power, battery charge/crank assist, compressor oil heater, and hydraulic cooling only mode		
Maintenance Kits				
1b Air Compressor Service Kit	279123	Includes compressor oil filter, inlet air filter, oil/air separator and compressor oil		
Accessory Kit Package				
1c Ready To Work Accessory Kit	951858	Includes auxiliary power remote panel (cabling not included), battery charge/jump cables, and 50 ft. (15.2 m) weld cables with electrode holder and work clamp		
Hydraulic Accessories				
1d Hydraulic Tank Reservoir Kit	301612	20 gal. (76 L)		
1e Crane/Communication Adapters		See page 8		
Air Compressor Accessories				
2a	REQUIRES 10-gallon (20-gallon recommended) minimum air reservoir for installation — NOT provided by Miller			
2b Air Dryer Kit	301488	Cools and removes moisture from the air supply		
Desiccant Air Dryer System	195117	Regenerating inline air dryer system that eliminates moisture in the air stream		
Battery Charge/Crank Assist Accessories				
3a Battery Charge/Jump Cables with Plug	300422	25 ft. (7.6 m)		
Generator Power Accessories				
4a Auxiliary Power Remote Panel	301562	Includes and two 120 V receptacles w/circuit breakers and one 120/240 V, 50 A receptacle (no EnVerter receptacles) — cabling NOT included		
4b Full KVA Plug Kit	119172	120/240 V, 50 A plug (NEMA 14-50P) to fit full KVA receptacle		
GFCI Receptacle	282067	15/20 A receptacle with mounting tabs		
Full KVA Adapter Cord	300517	NEMA 14-50P to NEMA 6-50R. Adapts engine drive 120/240 V plug to common Millermatic® and Spectrum® 240 V plug		
Weld Accessories				
5a Weld Cables and Connectors		See page 8		
5b Wire Feeders		See page 9		
5c Spool Guns/Spool Gun Accessories		See page 9		
Plug-In Welders				
		See page 9 (requires auxiliary power remote panel on page 9)		
Plasma Cutters				
		See page 9 (requires auxiliary power remote panel on page 9)		
Additional Accessories for HDI 325 Air Pak Model Only				
SuitCase® 12RC Wire Feeder	951580001			
Wireless Remote Hand Control	301582			
RHC-14 Hand Control	242211020			
Extension Cables for 14-Pin Feeders and Controls		See page 9		

Date:

Total Quoted Price:

Distributed by:

