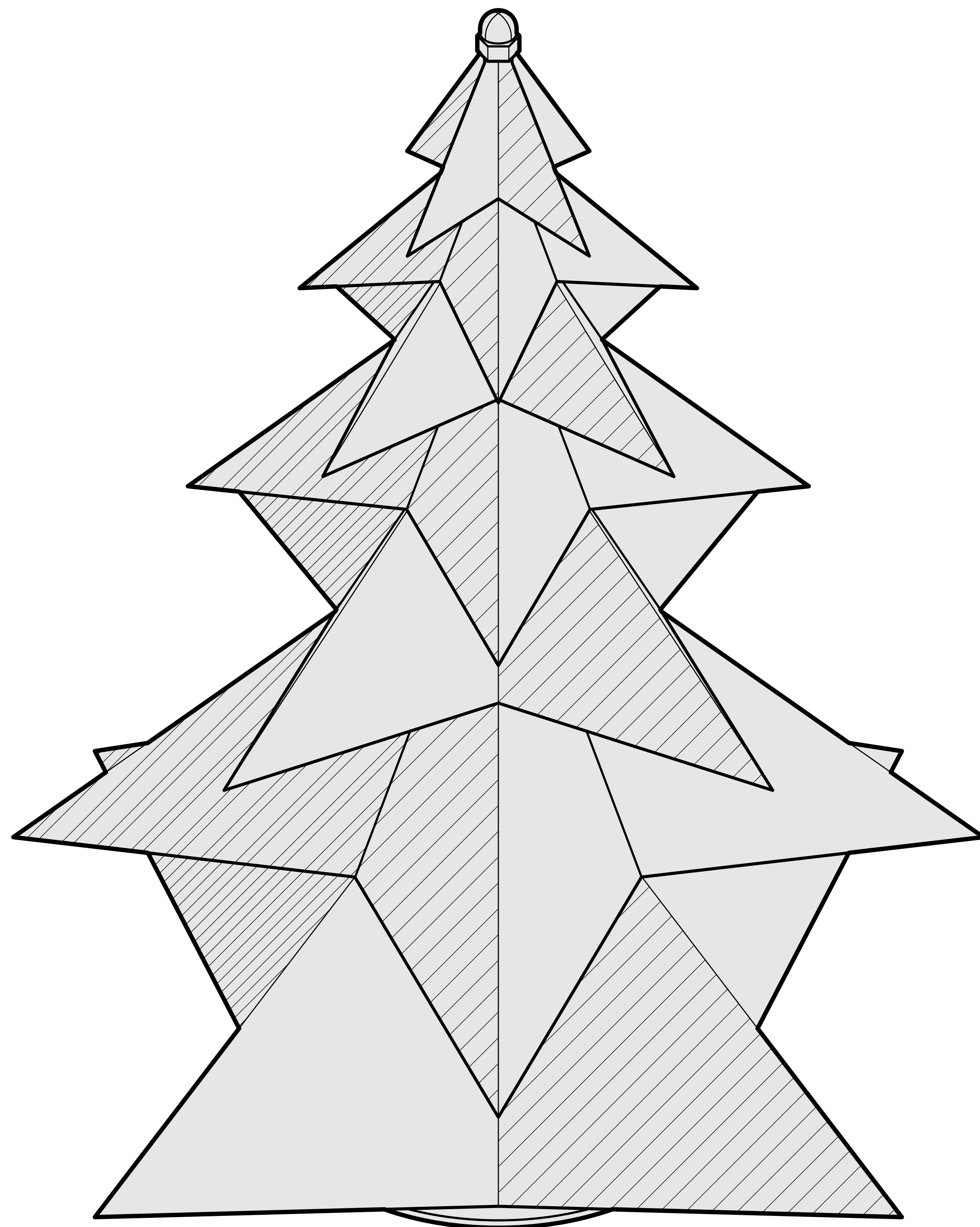
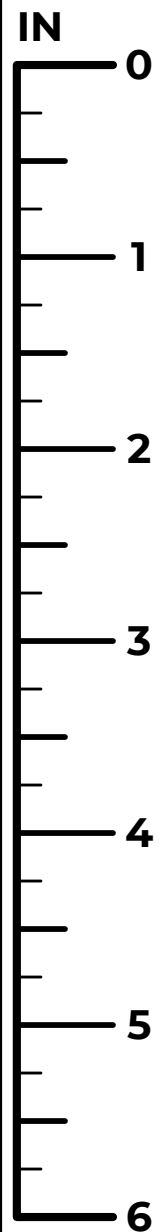
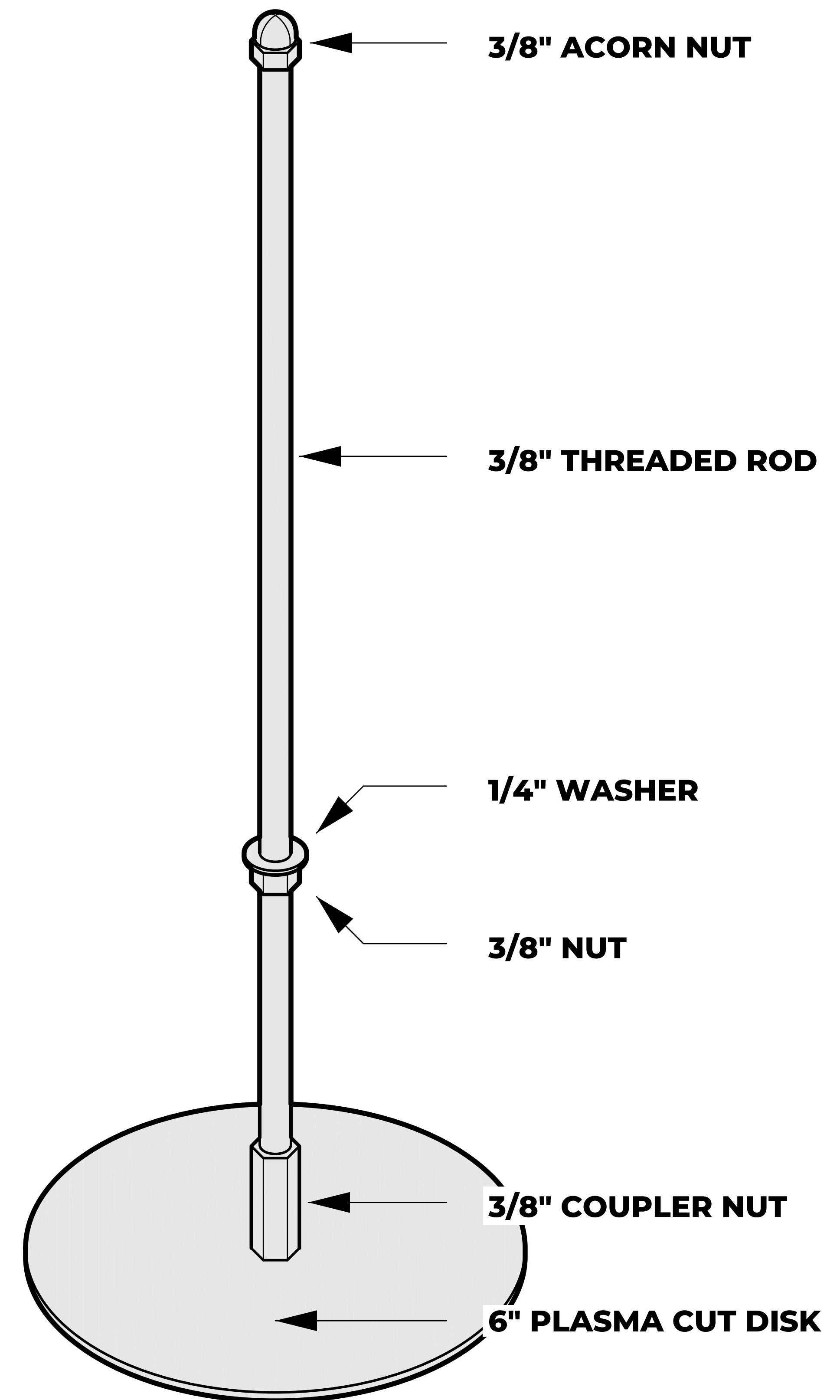


NOTES:

THESE PATTERNS ARE INTENDED TO BE PRINTED ON 24"X36" PAPER AT 1:1 SCALE. PLEASE CHECK THE ACCURACY OF THE PRINT BY USING THE SCALE BELOW.



ASSEMBLED TREE

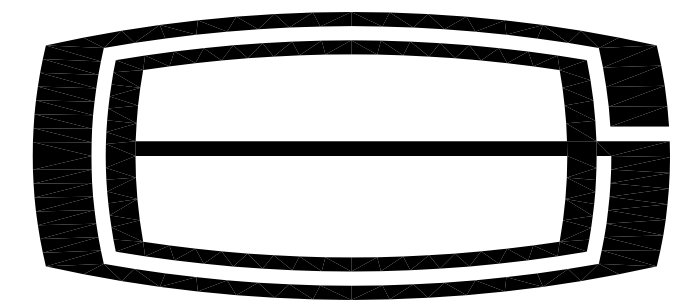


INTERNAL STAND

(NOT TO SCALE)

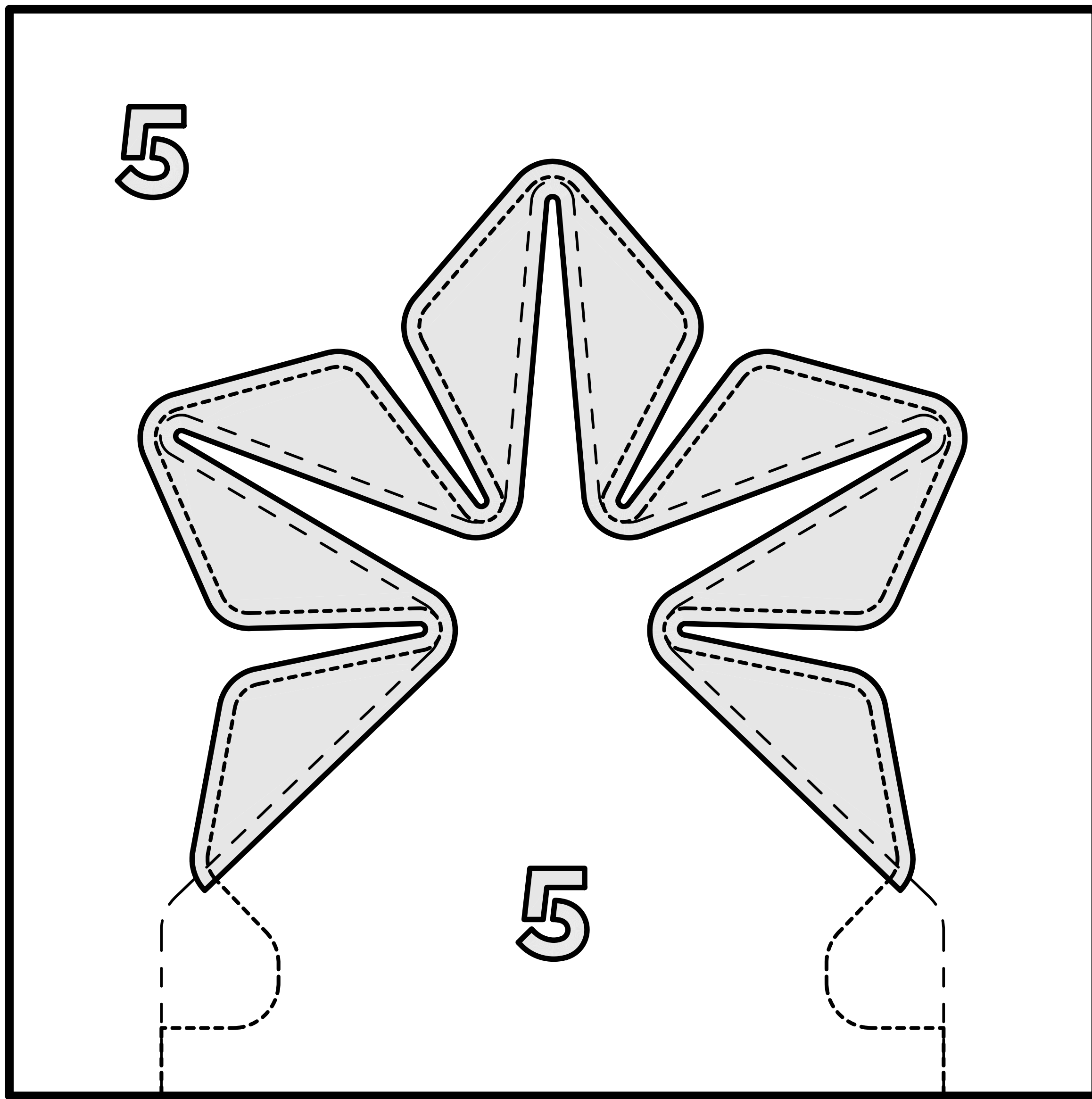
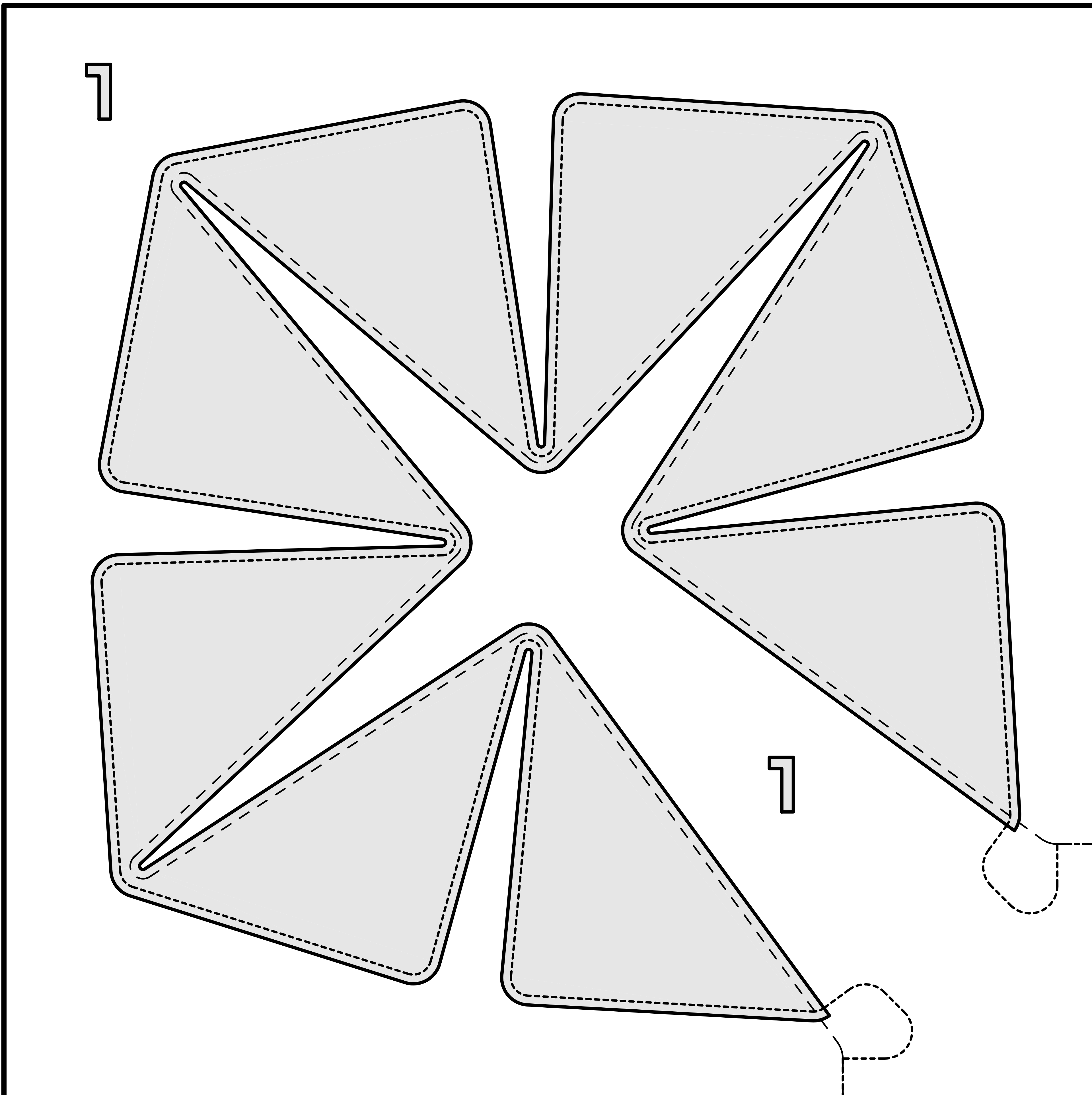
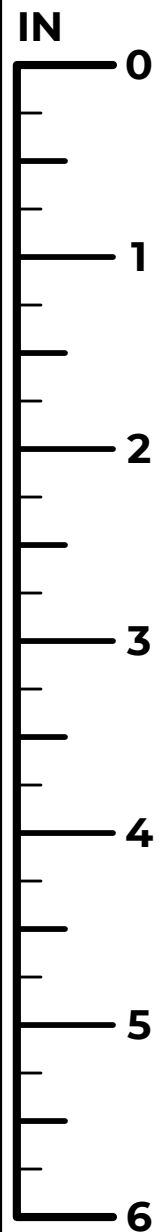
FOLDED STEEL TREE

IEWS, 001



NOTES:

THESE PATTERNS ARE INTENDED TO BE PRINTED ON 24"X36" PAPER AT 1:1 SCALE. PLEASE CHECK THE ACCURACY OF THE PRINT BY USING THE SCALE BELOW.



I DESIGNED THESE PATTERS TO BE TWO PARTS. ONE PATTERN IN THE SET PROVIDES A GUIDE FOR THE INNER PROFILE AND ONE PATTERN IS FOR THE OUTER PROFILE.

IF YOU PREFER TO SIMPLY USE PAPER PATTERNS, APPLY THE PAPER TO THE STEEL USING SPRAY GLUE AND CUT ON THE LINE. INTENDED PART IS SHOWN BY THE SOLID LINE AND GREY HATCH.

THE NUMBERS ARE TO INDICATE PLACEMENT IN THE ASSEMBLY FROM BOTTOM TO TOP (NUMBER 1 IS THE BOTTOM AND NUMBER 7 IS THE TOP).

YOU COULD ELIMINATE ONE OR TWO OF THE BOTTOM SECTIONS IF YOU WANT A SMALLER TREE OR A VARIETY OF SIZES.

I CUT MY PATTERNS FROM 1/8" BALTIC BIRCH PLYWOOD. IF I WAS MAKING A PRODUCTION OF THESE, I MIGHT CONSIDER MAKING THE PATTERNS OUT OF SOMETHING A BIT MORE ROBUST. LIKE ALUMINUM, FOR EXAMPLE.

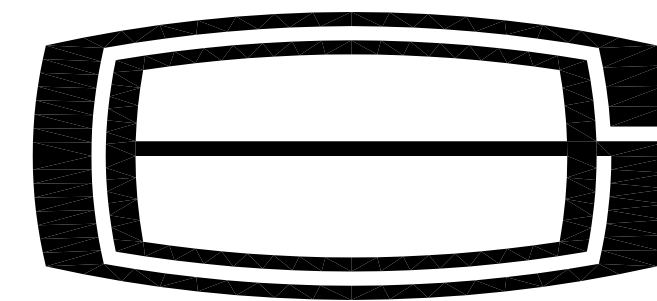
PLEASE BE SURE TO FOLLOW ALL INSTRUCTIONS AND WEAR THE REQUIRED SAFETY EQUIPMENT WHILE USING ANY MACHINES.

I HOPE YOU ENJOY MAKING THIS SIMPLE HOLIDAY PROJECT!

SCALE: 1"=1"

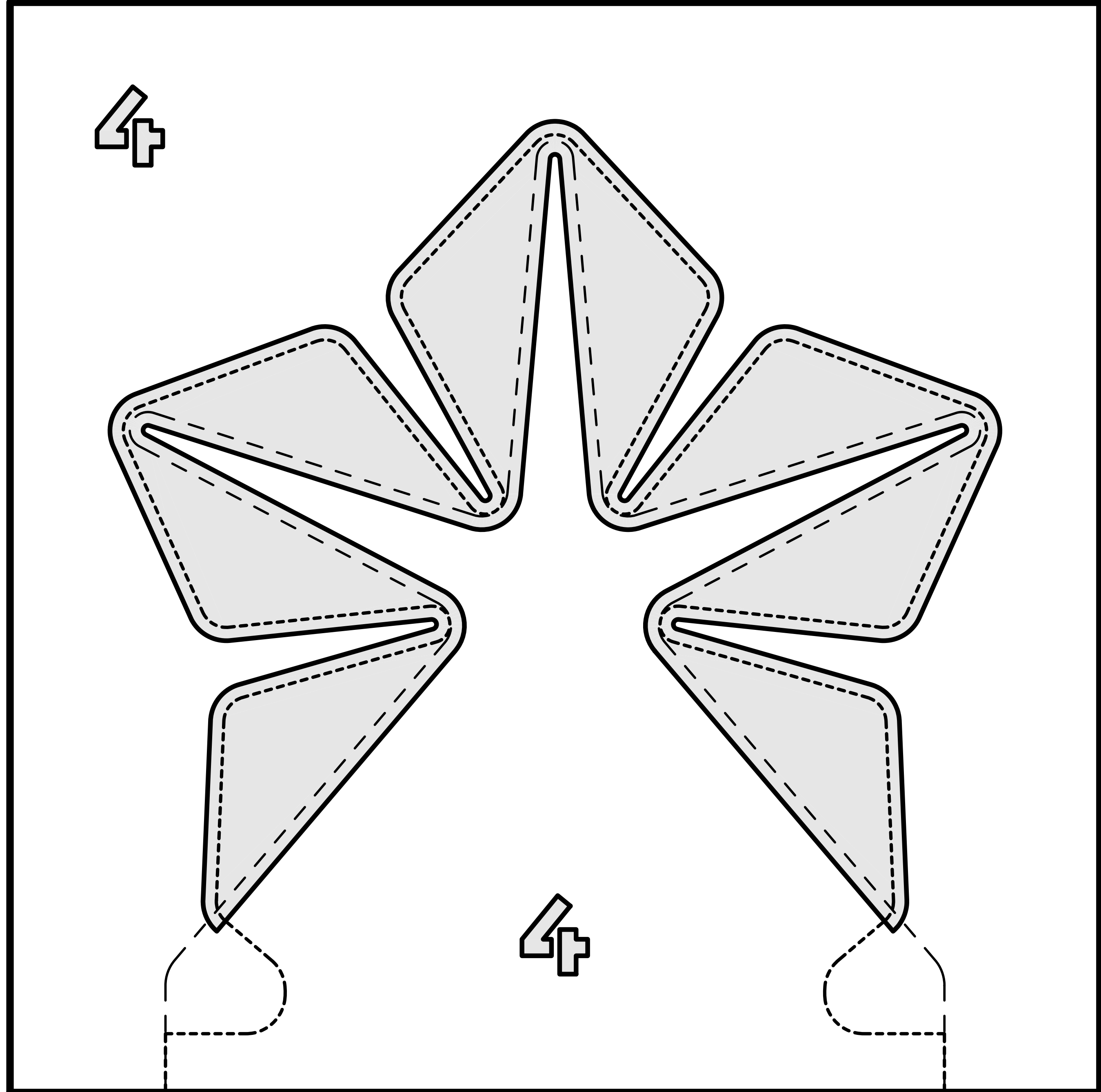
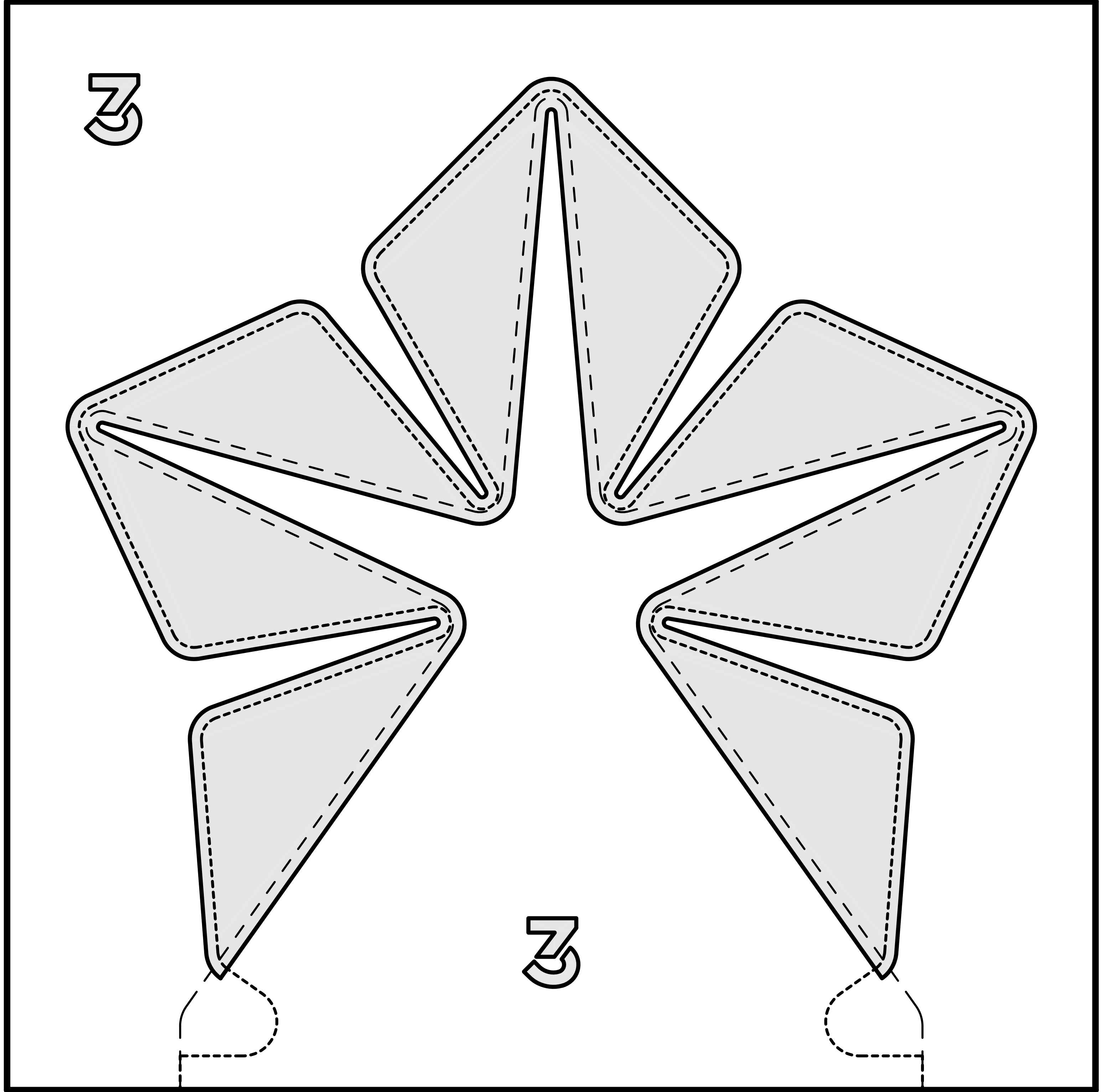
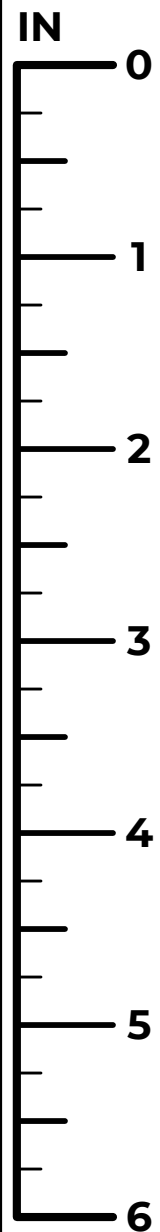
FOLDED STEEL TREE

PATTERNS, 002



NOTES:

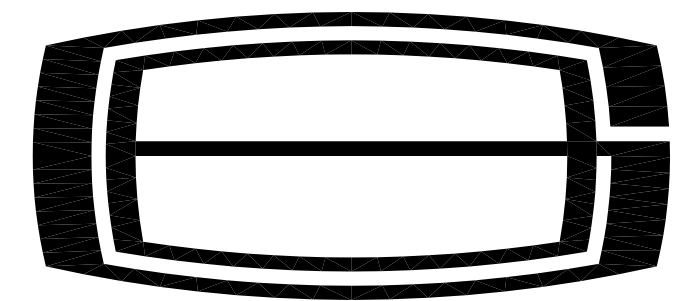
THESE PATTERNS ARE INTENDED TO BE PRINTED ON 24"X36" PAPER AT 1:1 SCALE. PLEASE CHECK THE ACCURACY OF THE PRINT BY USING THE SCALE BELOW.



SCALE: 1"=1"

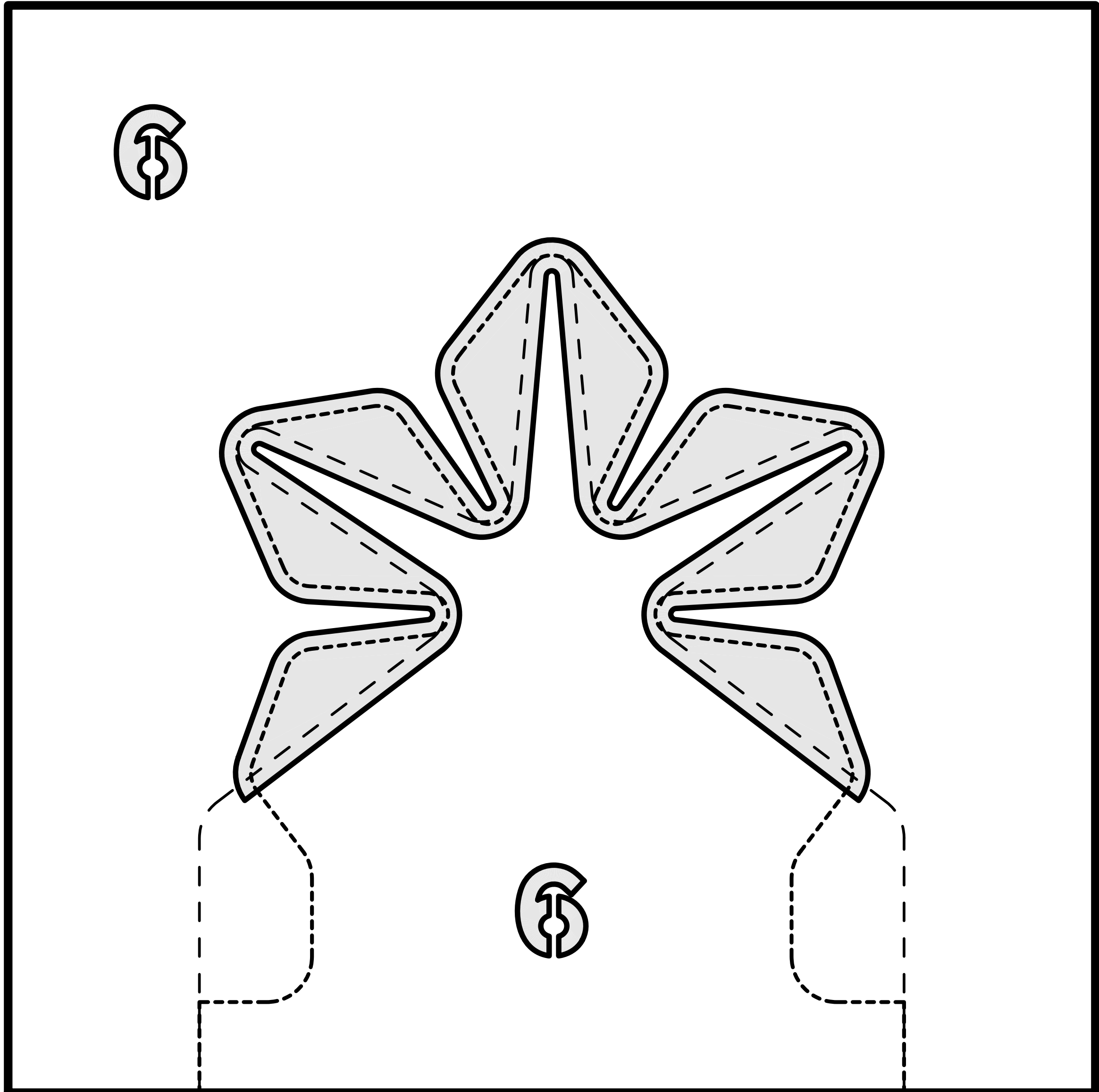
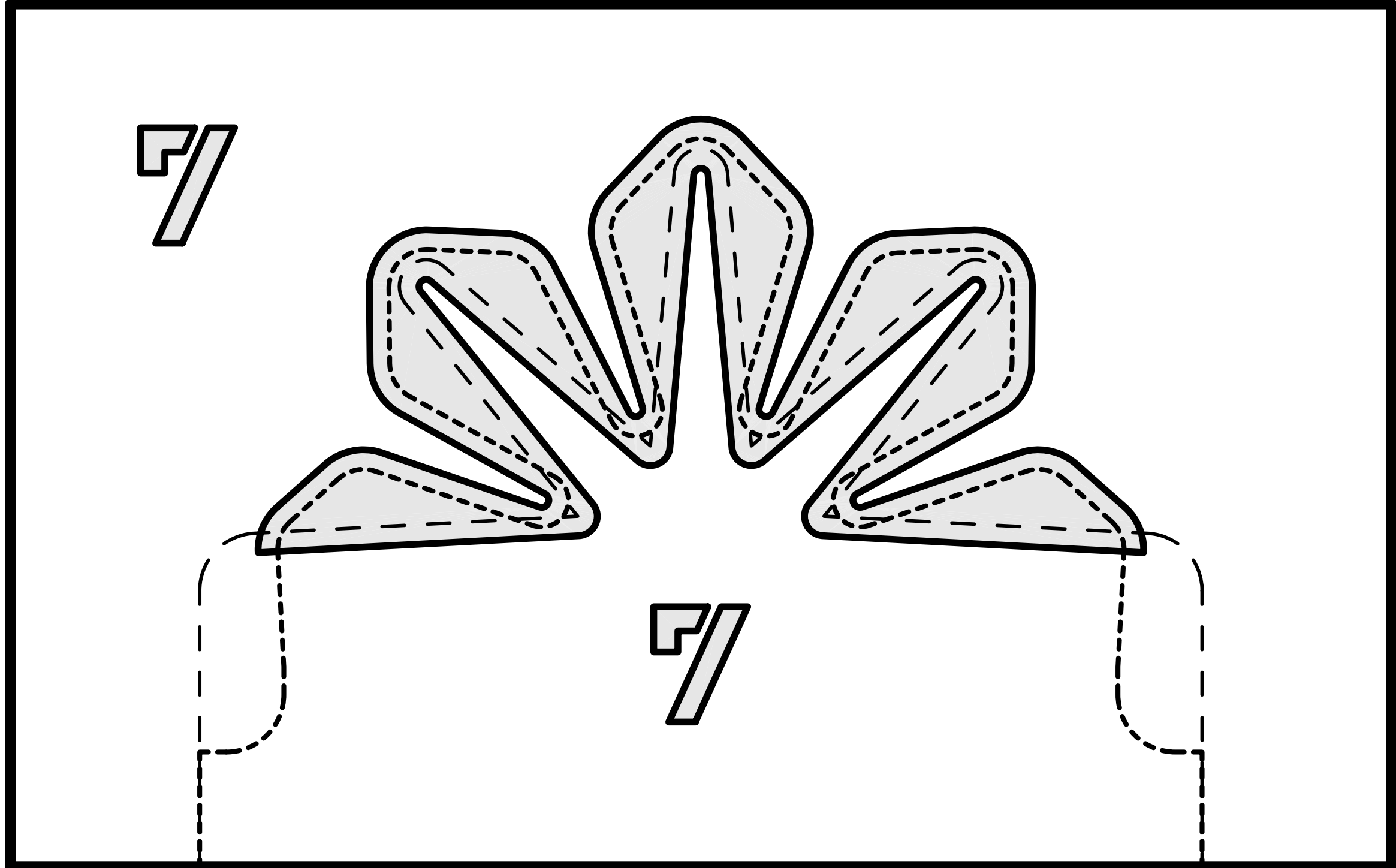
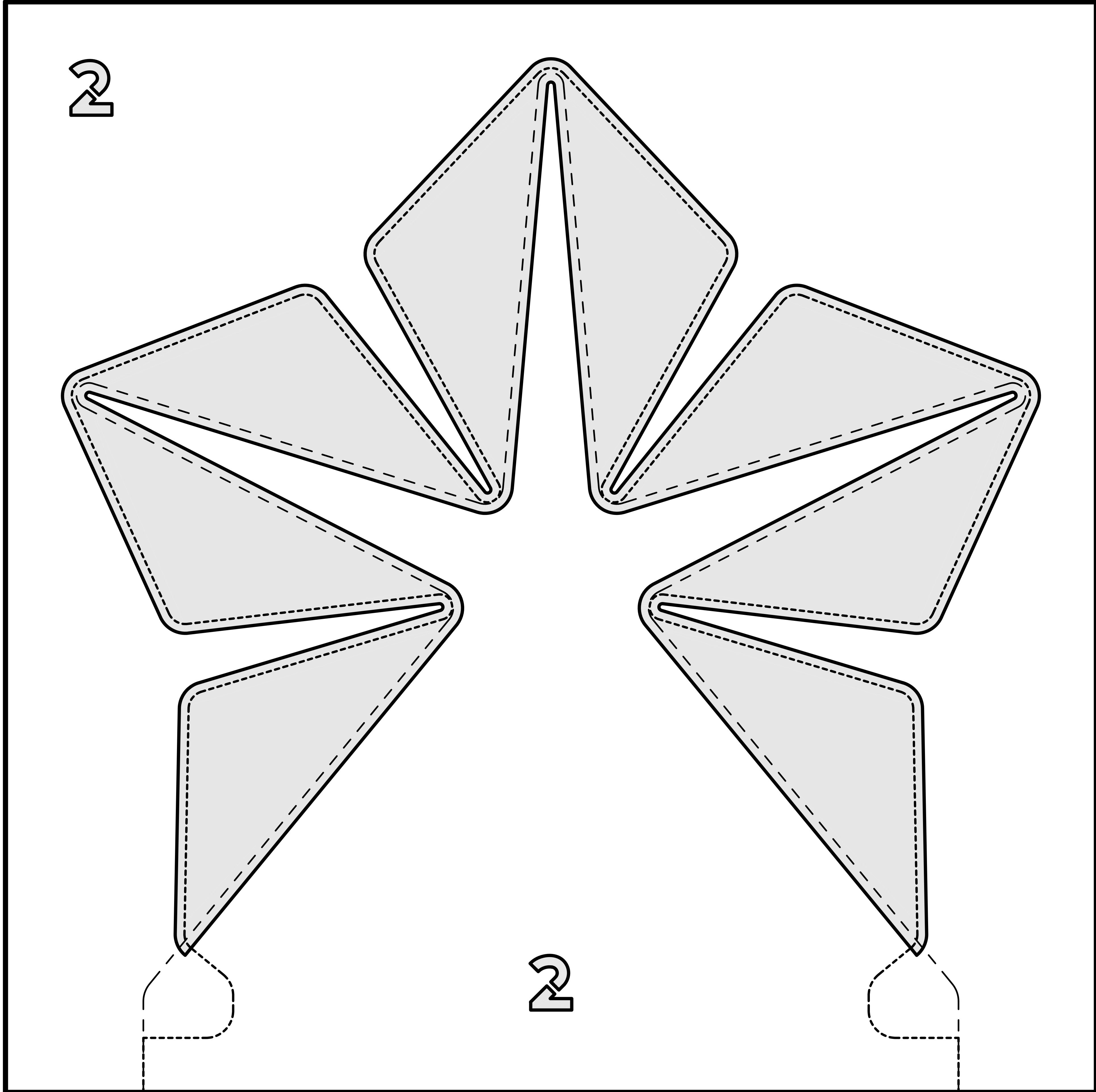
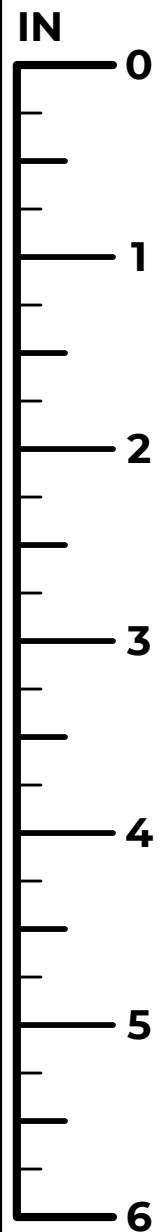
FOLDED STEEL TREE

PATTERNS, 003



NOTES:

THESE PATTERNS ARE INTENDED TO BE PRINTED ON 24"X36" PAPER AT 1:1 SCALE. PLEASE CHECK THE ACCURACY OF THE PRINT BY USING THE SCALE BELOW.



SCALE: 1"=1"

FOLDED STEEL TREE

PATTERNS, 004

