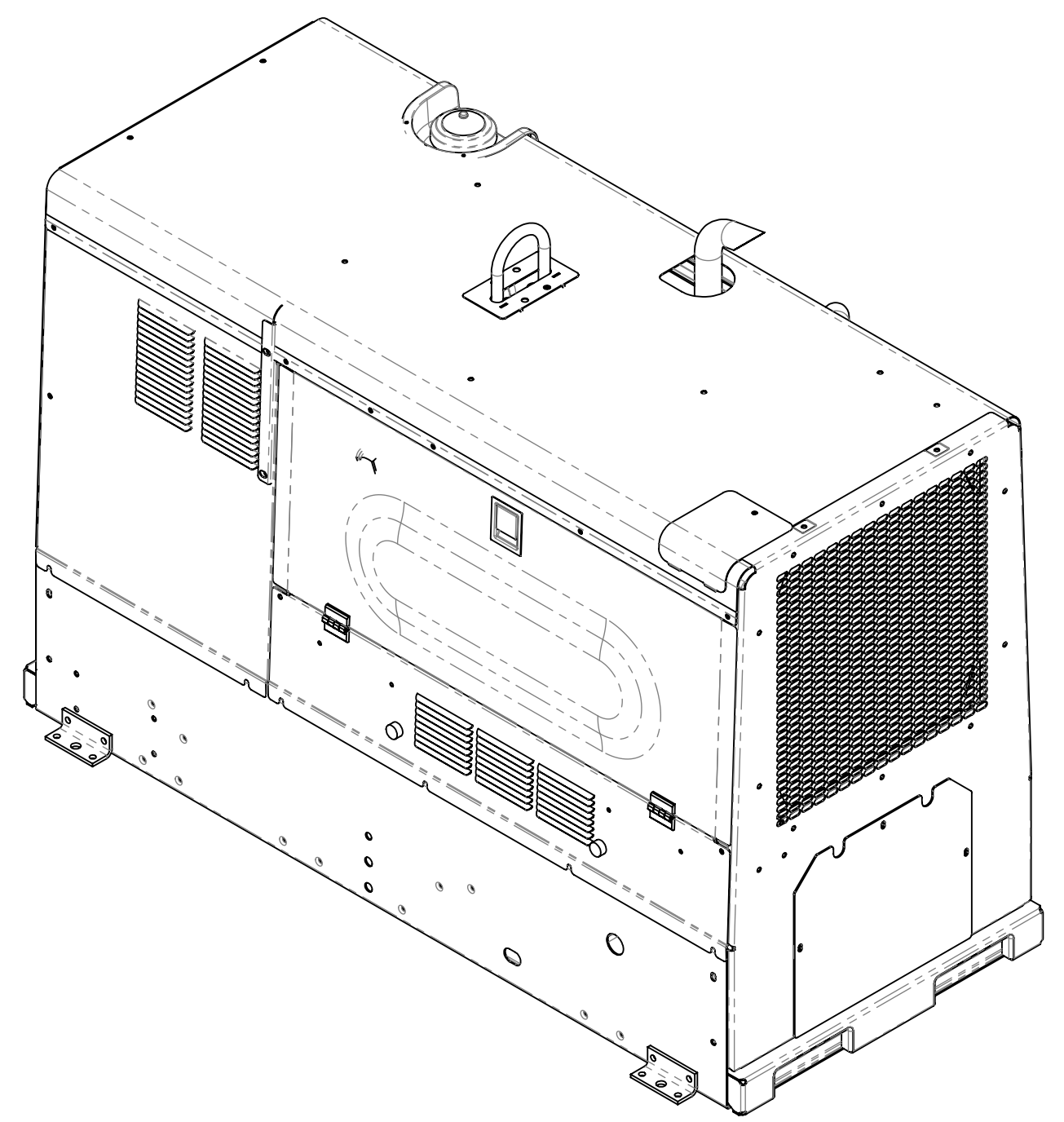
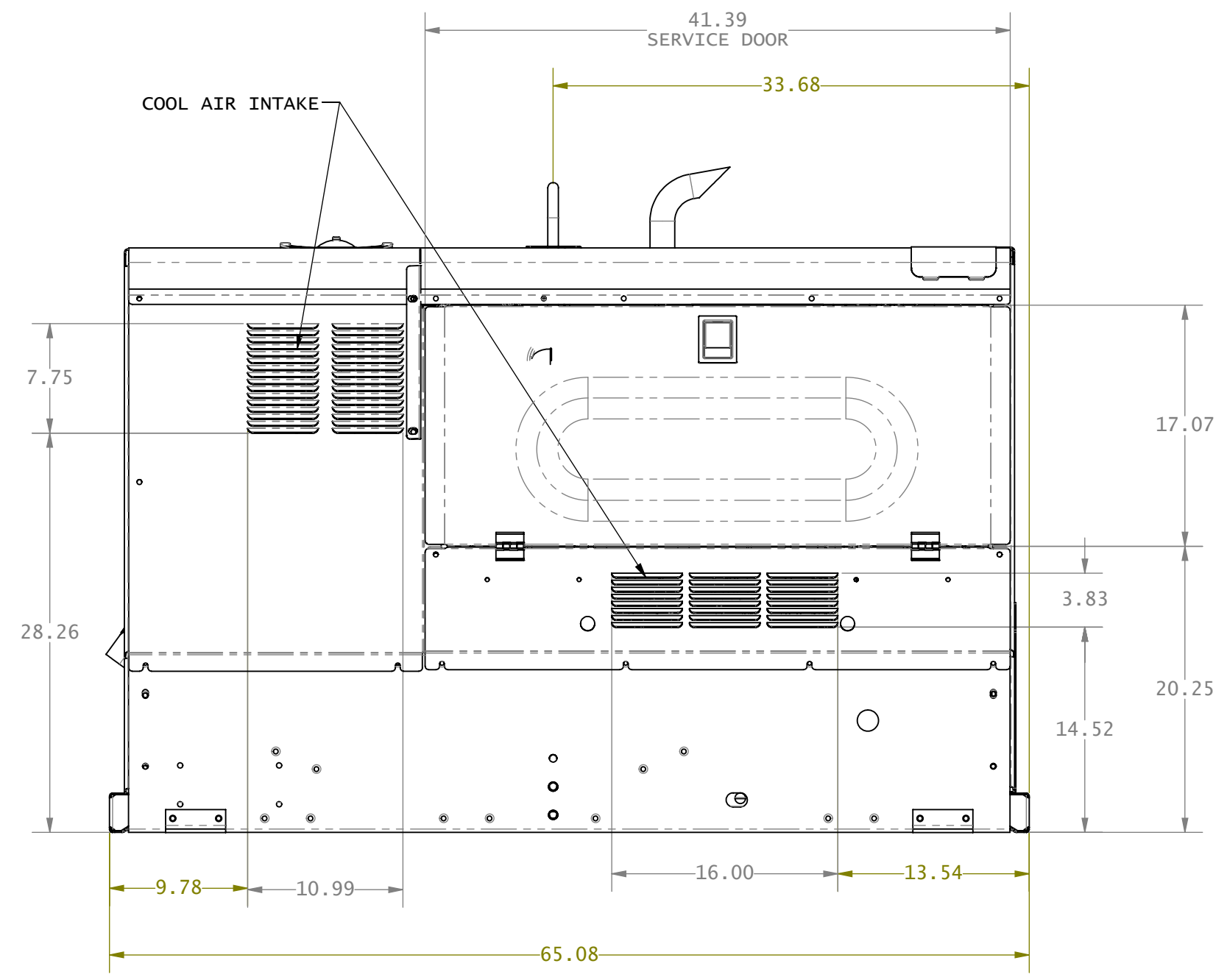
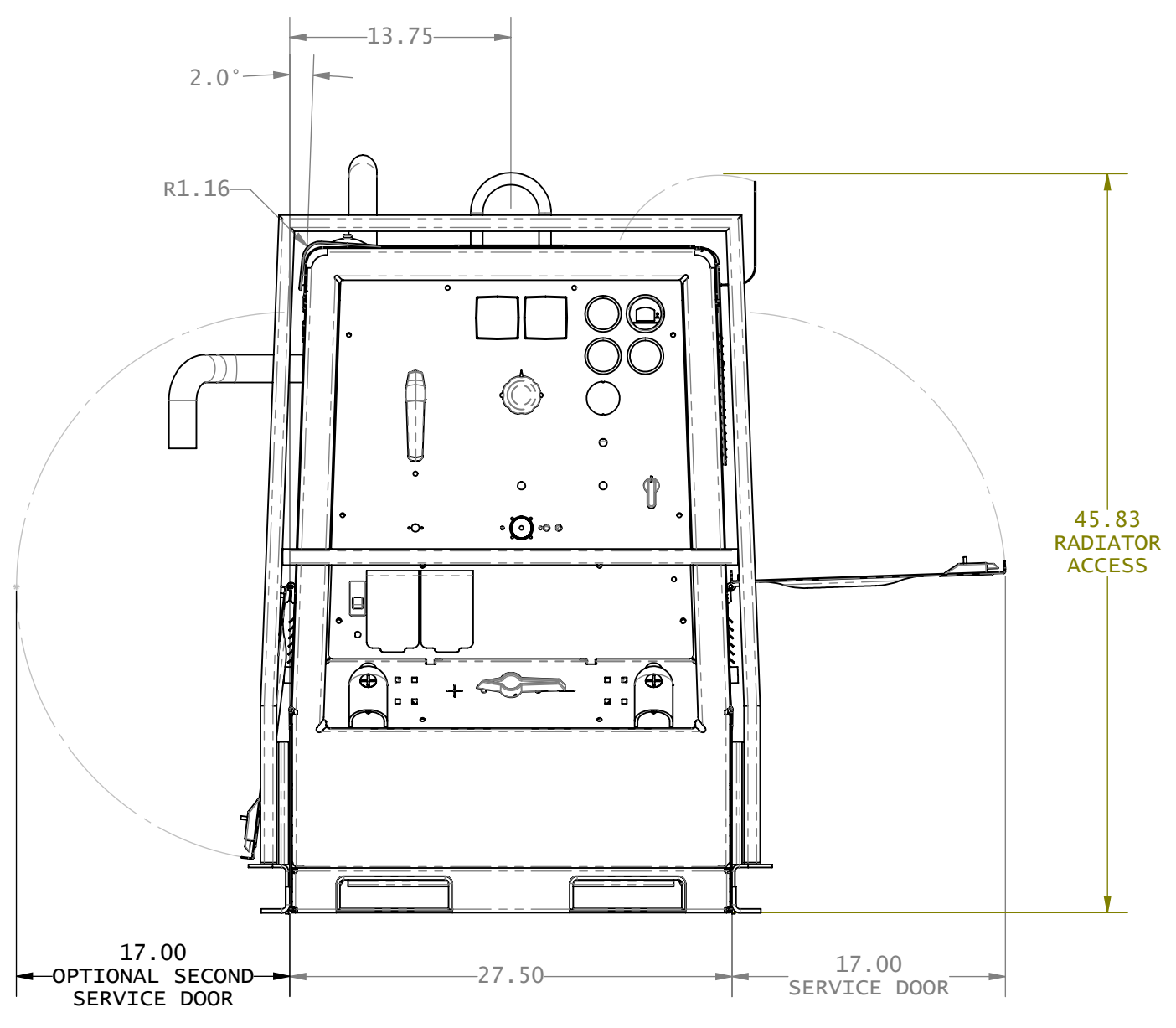
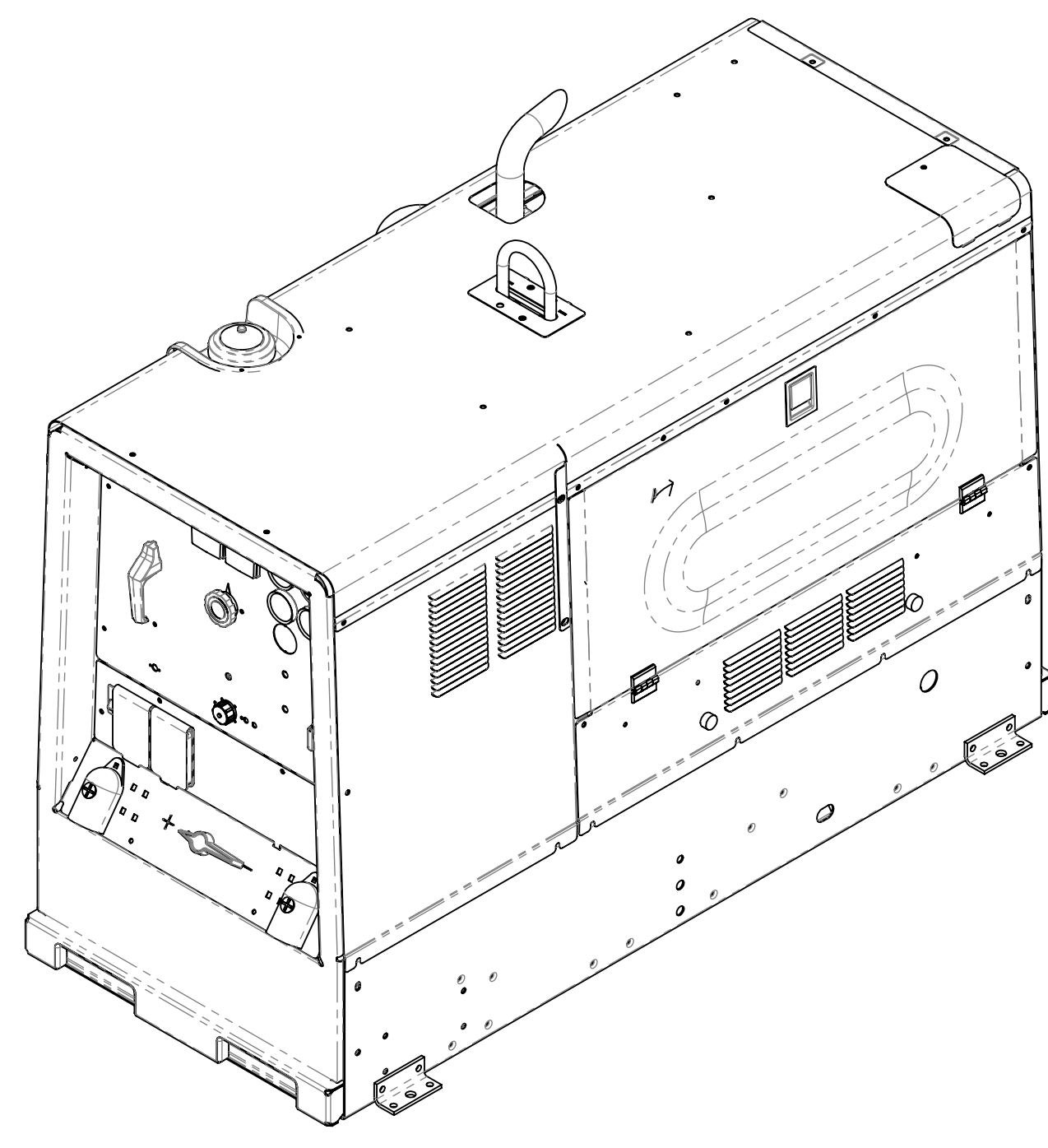
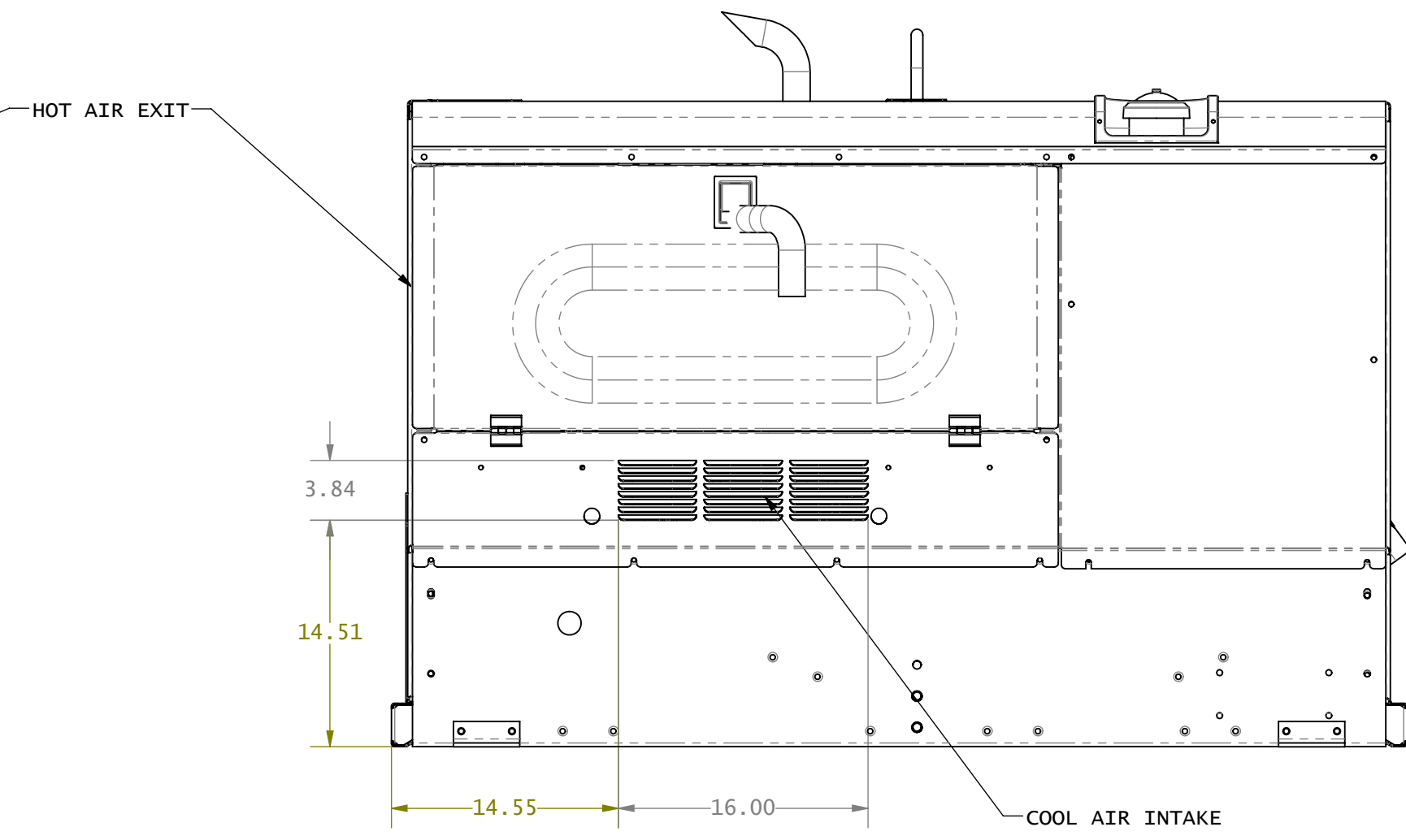
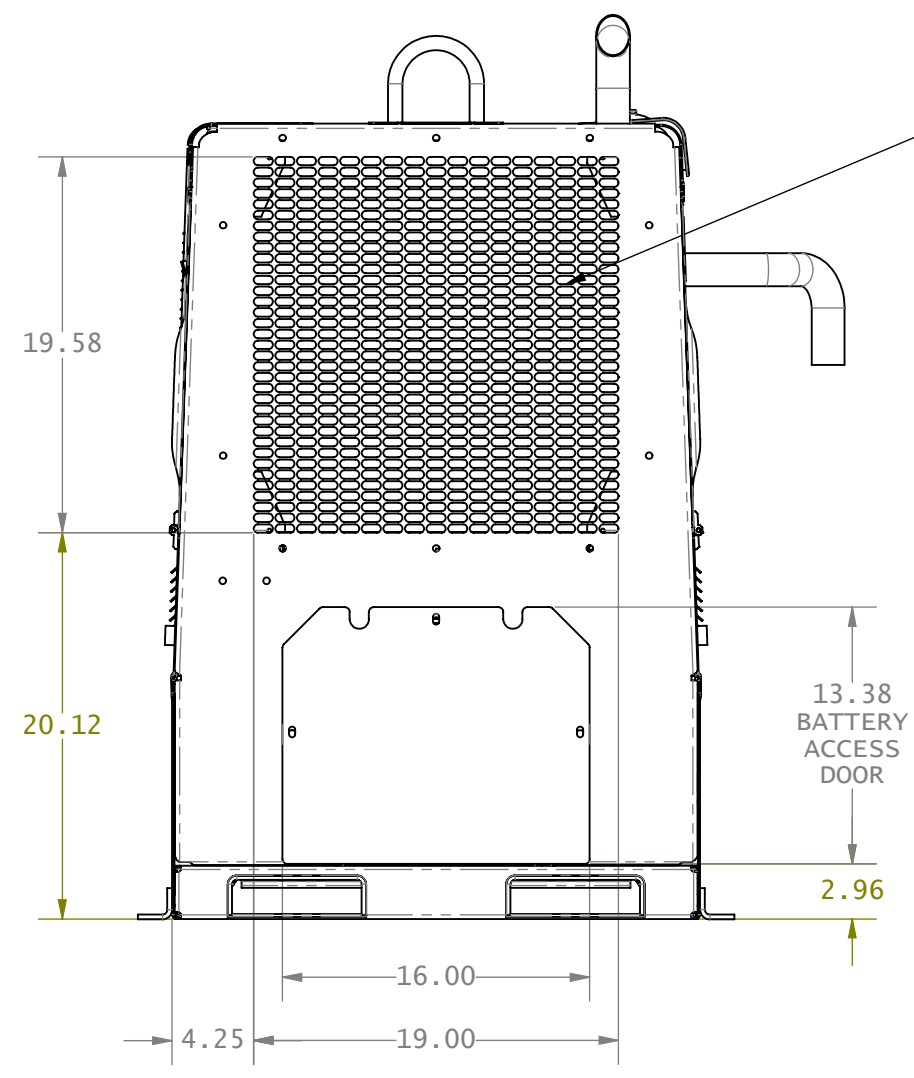
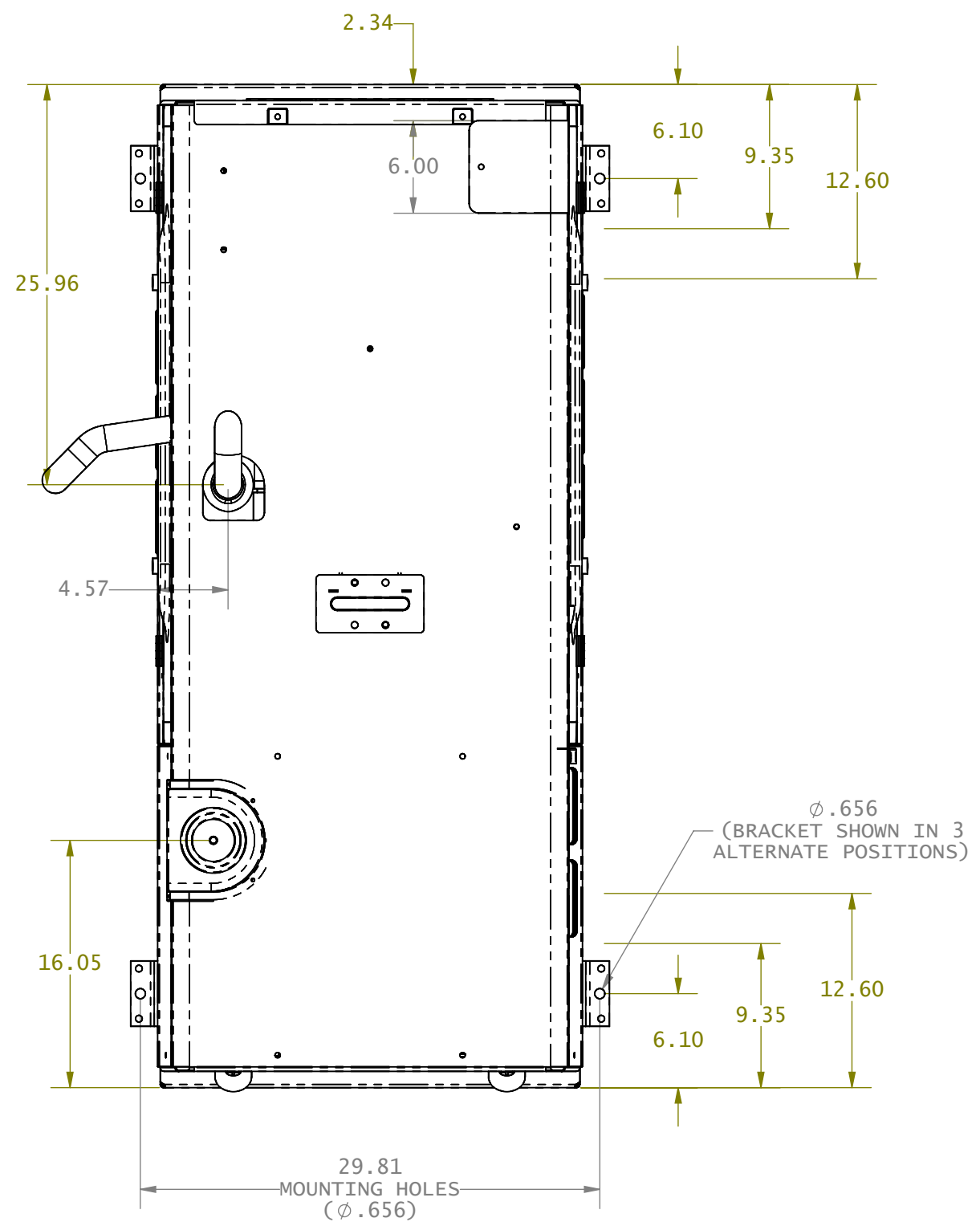


This print is and will remain the property of Miller Electric Mfg Co., Appleton, WI. Furnished with the understanding it is not to be duplicated in any manner without approval of Miller Electric Mfg Co. This print is furnished to assist order requirements and will be returned to Miller Electric Mfg Co upon request.



				Tolerances Unless Otherwise Specified		MILLER ELECTRIC MFG. CO., APPLETON, WI. USA	
				Decimal :		Title:	
				Fractional :		ILLUSTRATION BB 400/500/500 PRO (PERKINS) SERVICE TRUCK	
				Angular :		DRAWING NOT TO SCALE CONFIDENTIAL	
				Finish:		Drawn By: DCW Date: 12-13-11 Size: D Drawing No: 256357 Rev: A	
Rev	Date	By	ECO	Revision Description			
A	12-13-11	DCW		ORIGINAL RELEASE			