

4

3

2

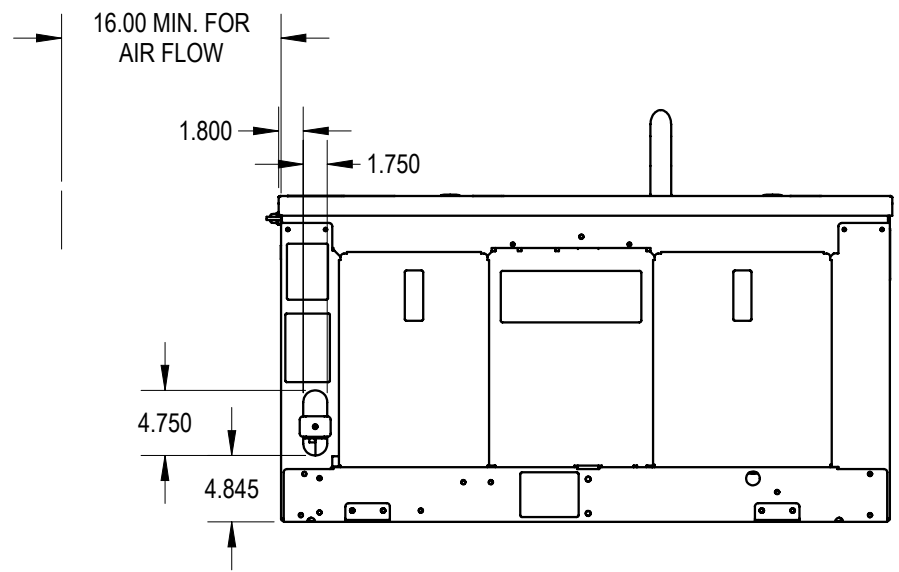
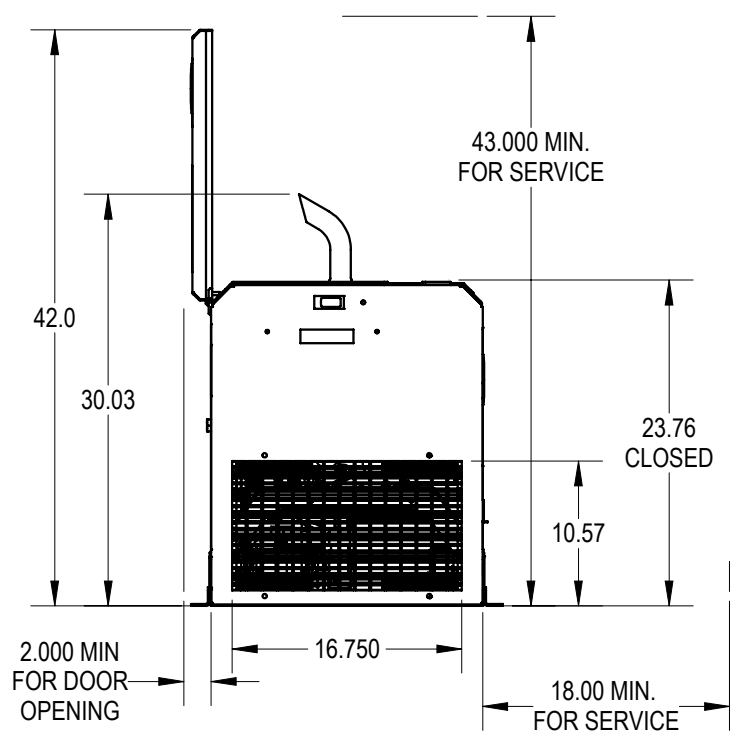
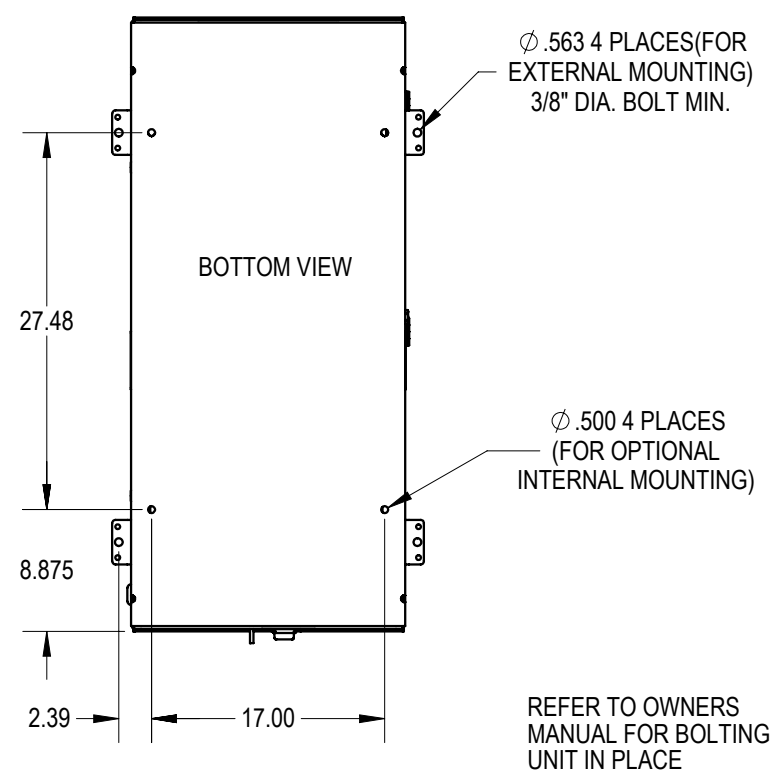
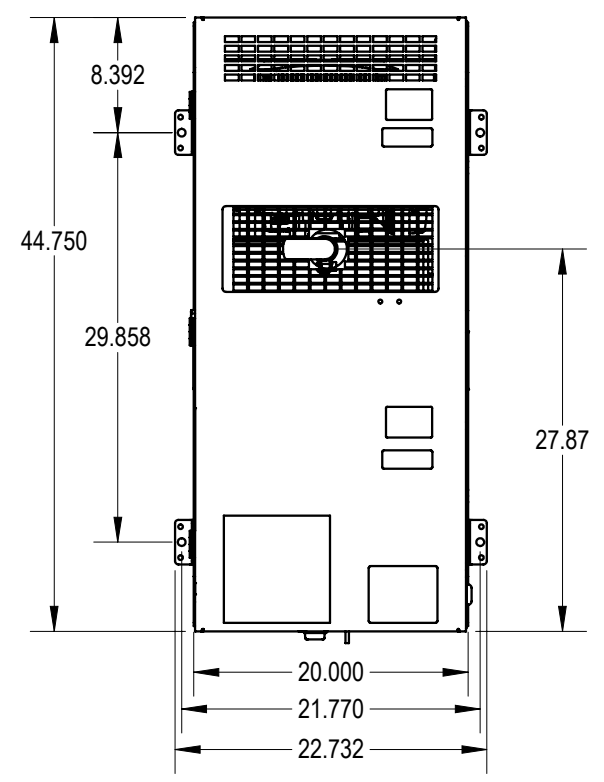
1

B

B

A

A



RoHS COMPLIANT

Rev	Date	By	ECO	Revision Description
B	7/20/17	JAJ NJJ	27634	PICTORIALLY UPDATED FOR NEW MUFFLER AND SHIELD

Dimensions are in INCHES
Unless Otherwise Specified

Decimal:
0.X ±:
0.XX ±:
0.XXX ±:

Fractional ±:
Angular ±:

Machine Finish:

MILLER ELECTRIC MFG. CO., APPLETON, WI. USA An ITW Welding Company

Title: ILLUS, MACHINE LAYOUT 907705

NOT TO SCALE CONFIDENTIAL SHEET: 1 of 1

© MILLER ELECTRIC MFG. CO. ("MILLER"). THIS DOCUMENT FILE AND THE INFORMATION CONTAINED THEREIN ("MATERIAL") IS MILLER PROPRIETARY AND CONFIDENTIAL INFORMATION AND SHALL NOT BE DUPLICATED OR DISTRIBUTED WITHOUT MILLER'S EXPRESS WRITTEN CONSENT. THIS MATERIAL SHALL BE USED SOLELY FOR THE PURPOSE SET FORTH BY MILLER AND SHALL BE RETURNED TO MILLER UPON REQUEST.

Drn/Appvd By: Size Drawing No Rev
Date: 4/20/16 B 277870 B

4

3

2

1