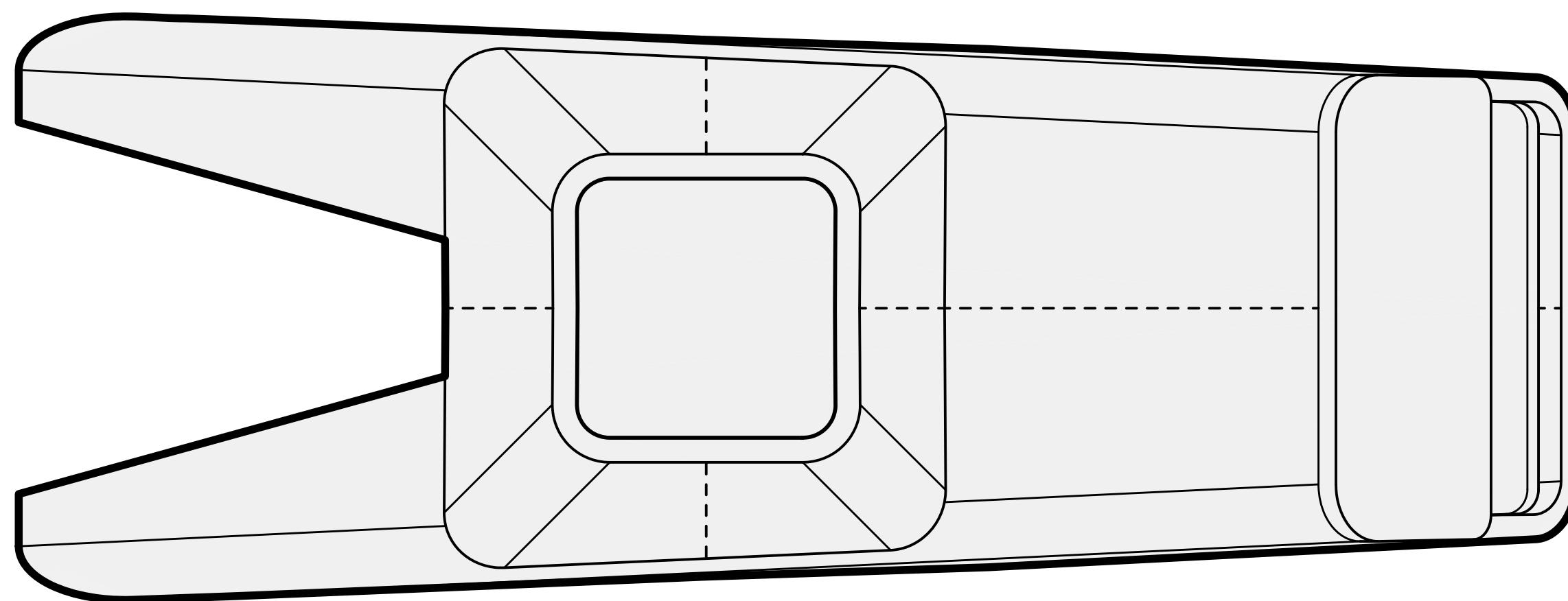
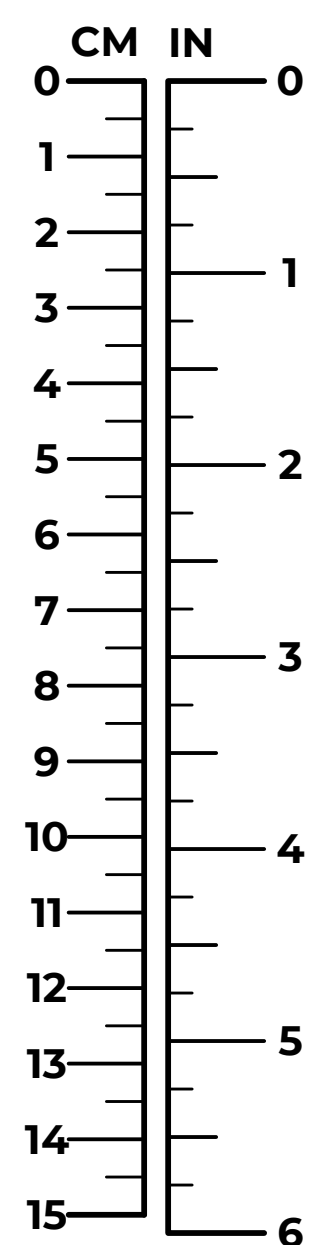


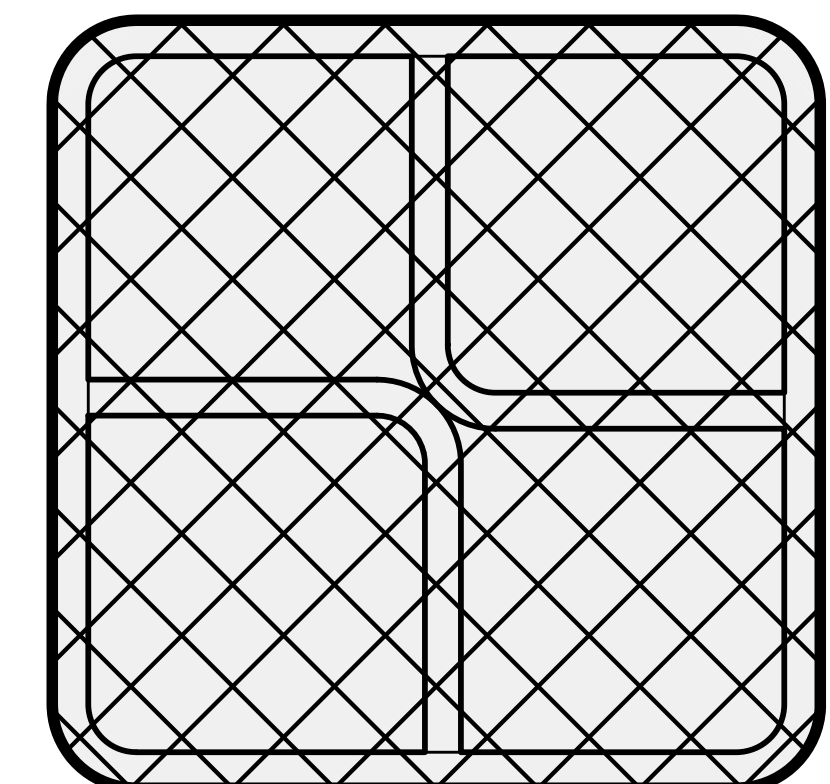
NOTES:

THESE PATTERNS ARE INTENDED TO BE PRINTED ON 24"X36" PAPER AT 1:1 SCALE. PLEASE CHECK THE ACCURACY OF THE PRINT BY USING THE SCALE BELOW.

SCALE: 1"=1"

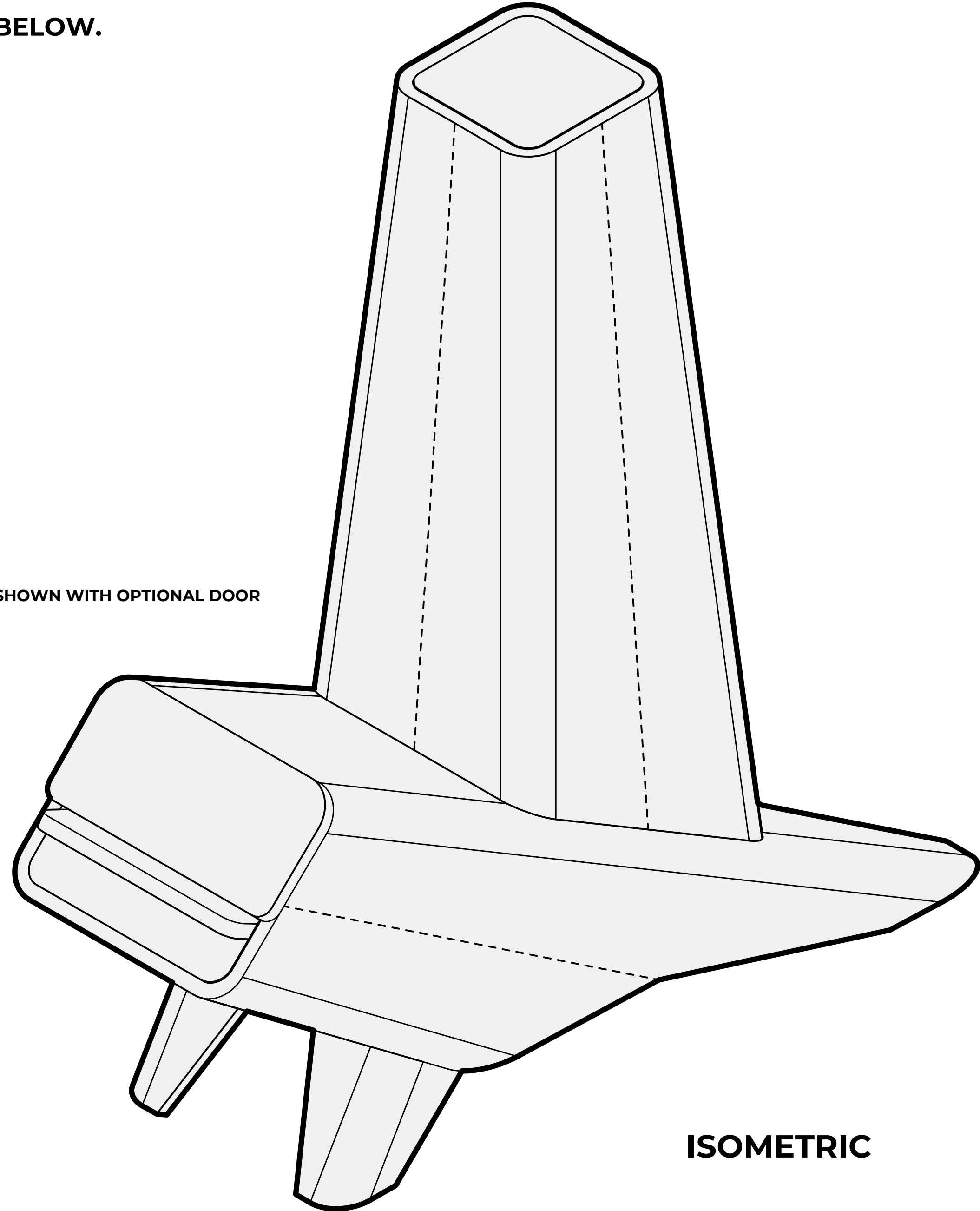


TOP

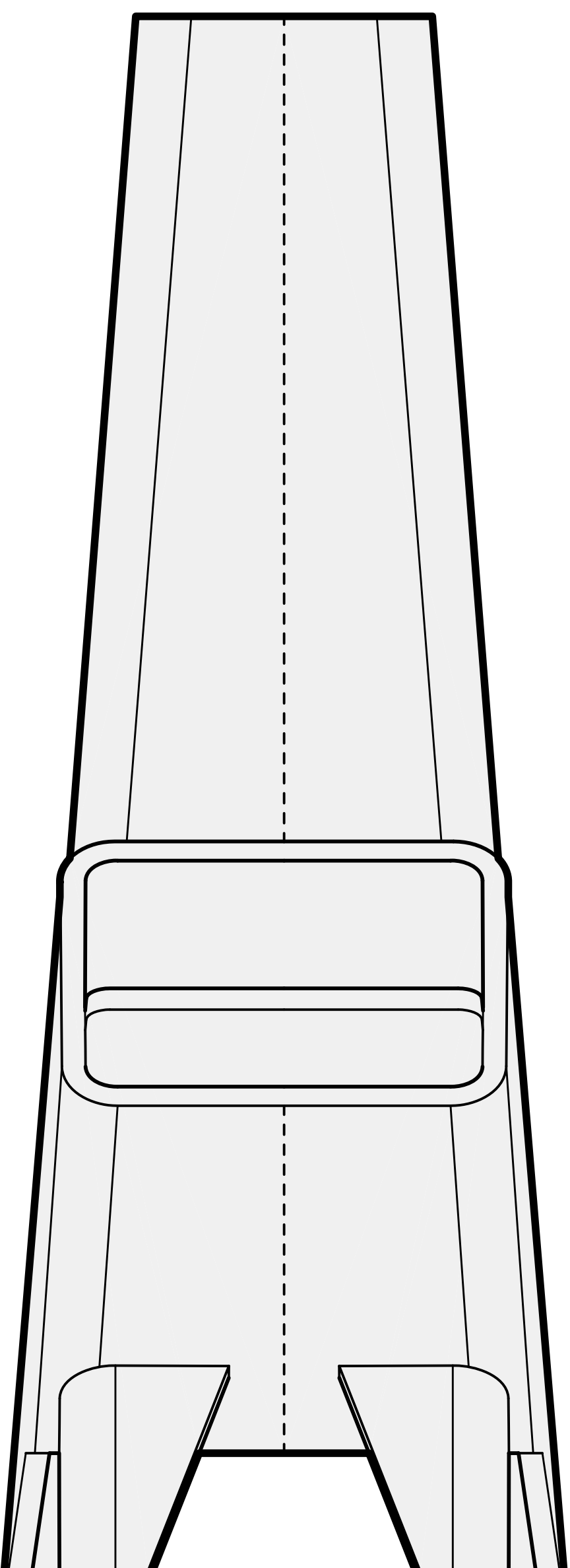


DIFFUSER TOP

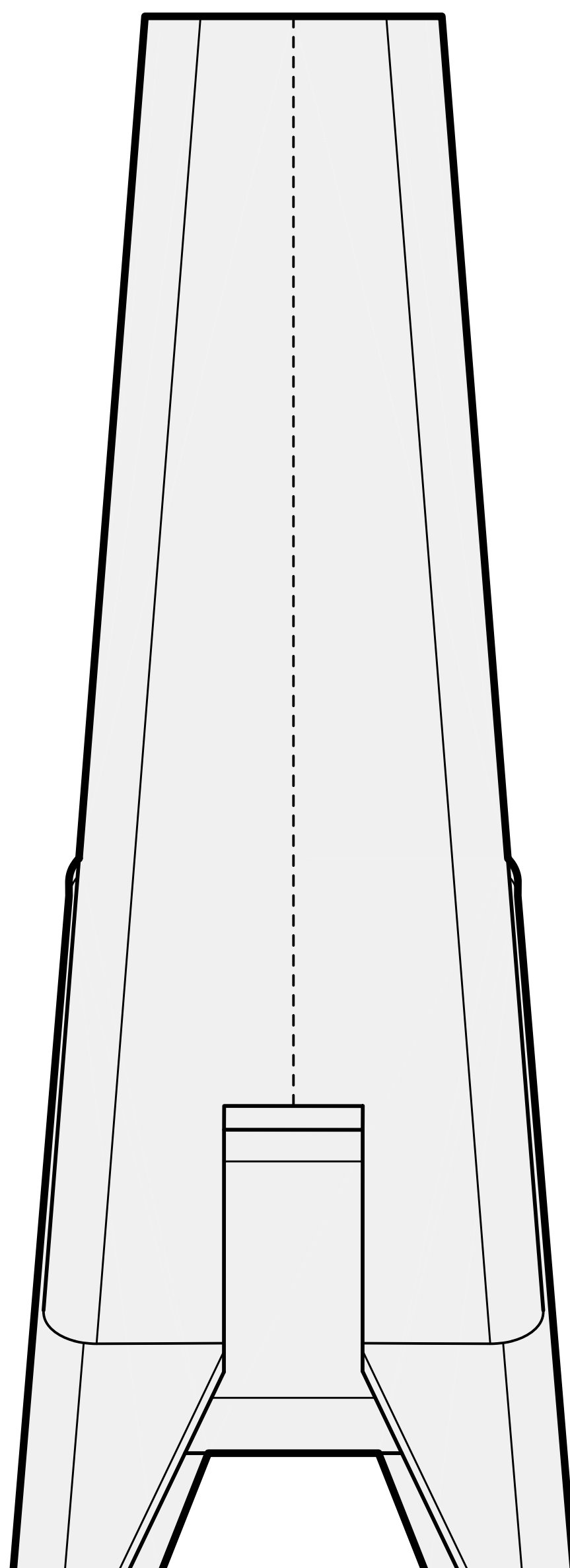
SHOWN WITH OPTIONAL DOOR



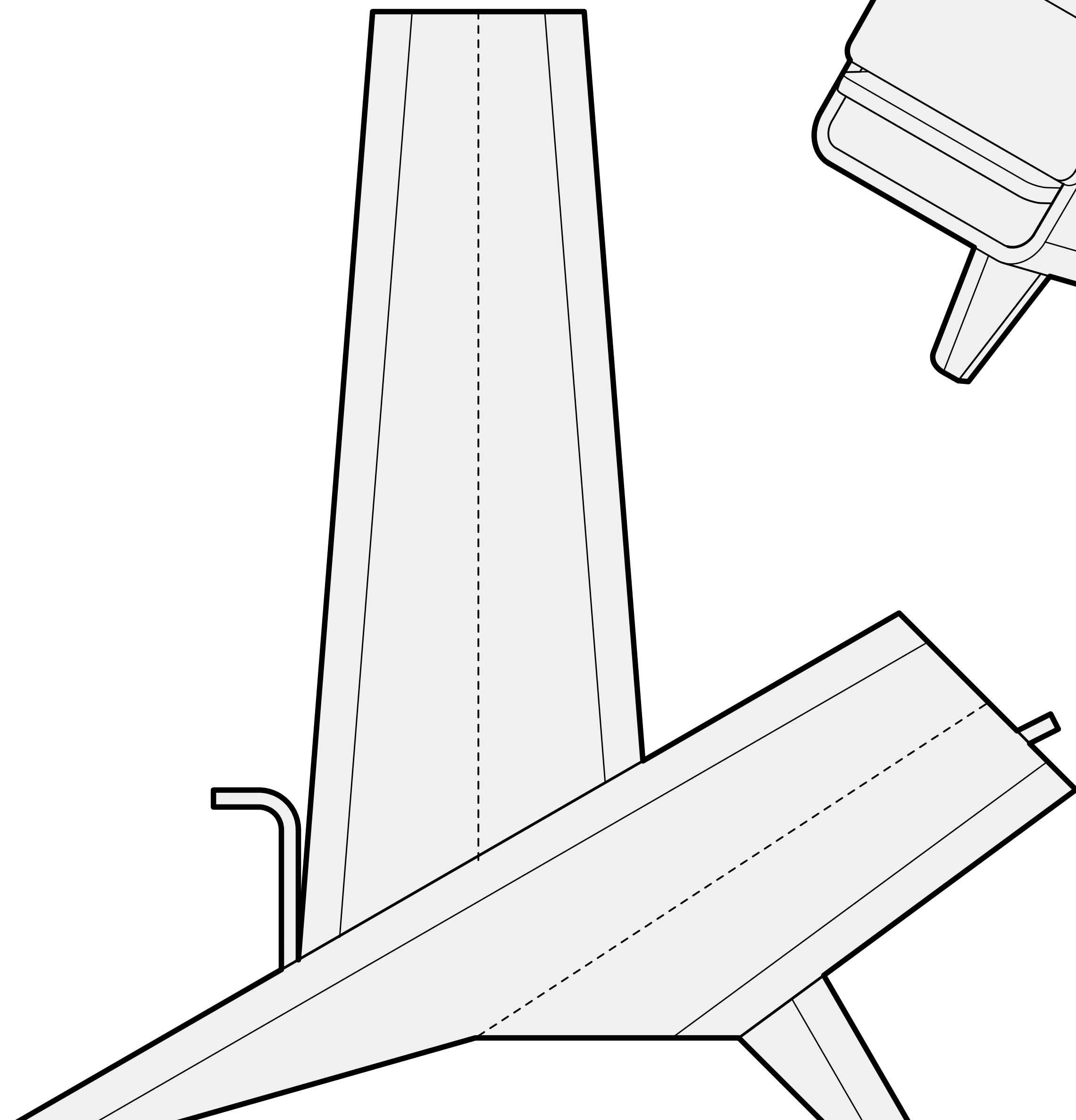
ISOMETRIC



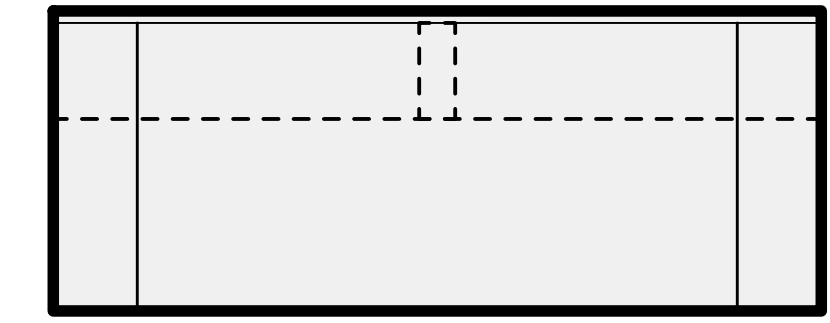
FRONT



REAR



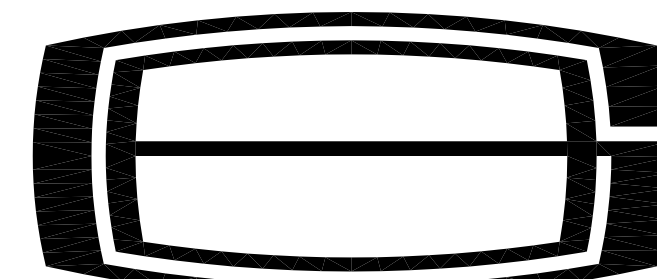
SIDE



DIFFUSER SIDE

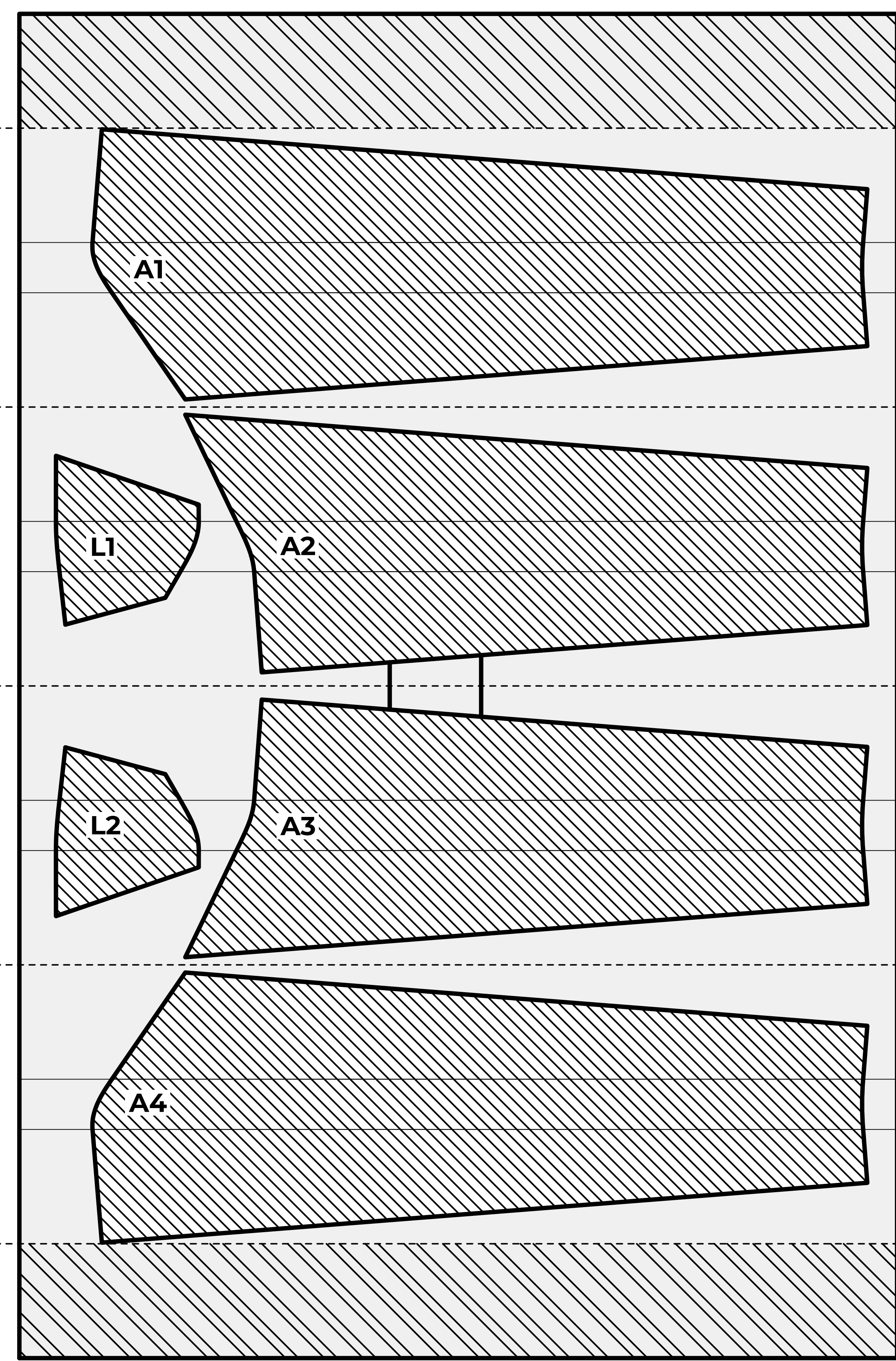
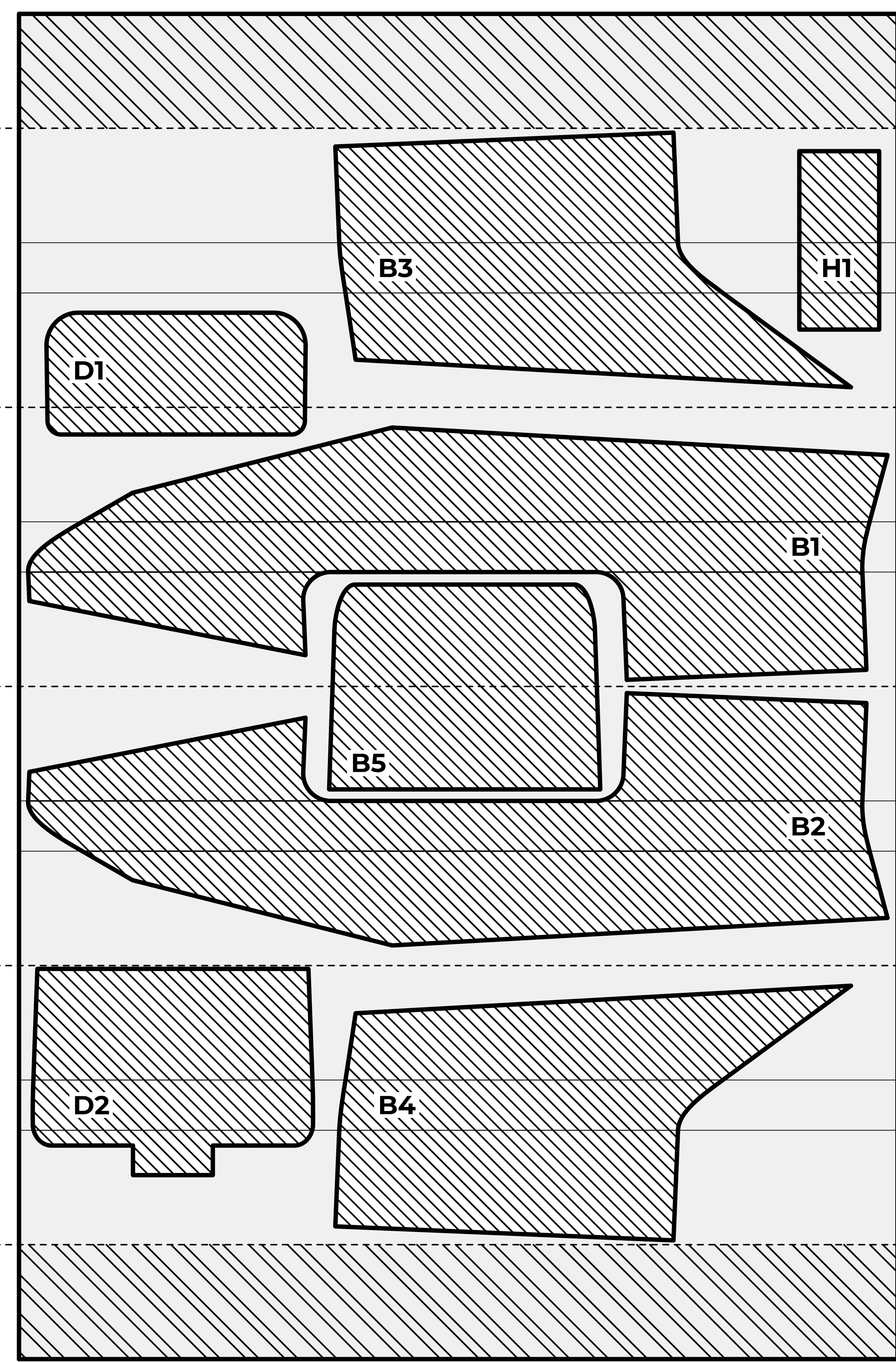
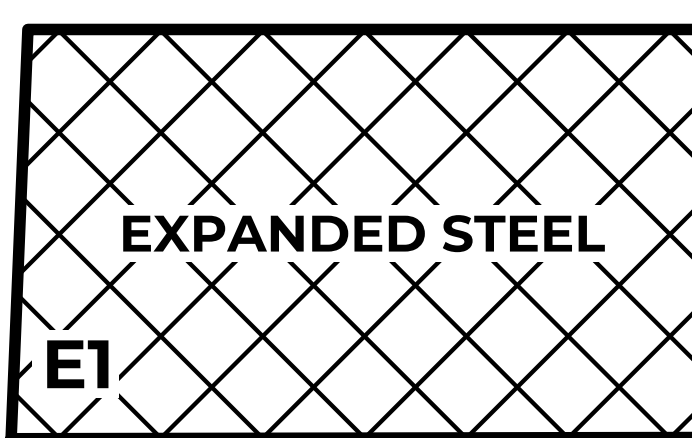
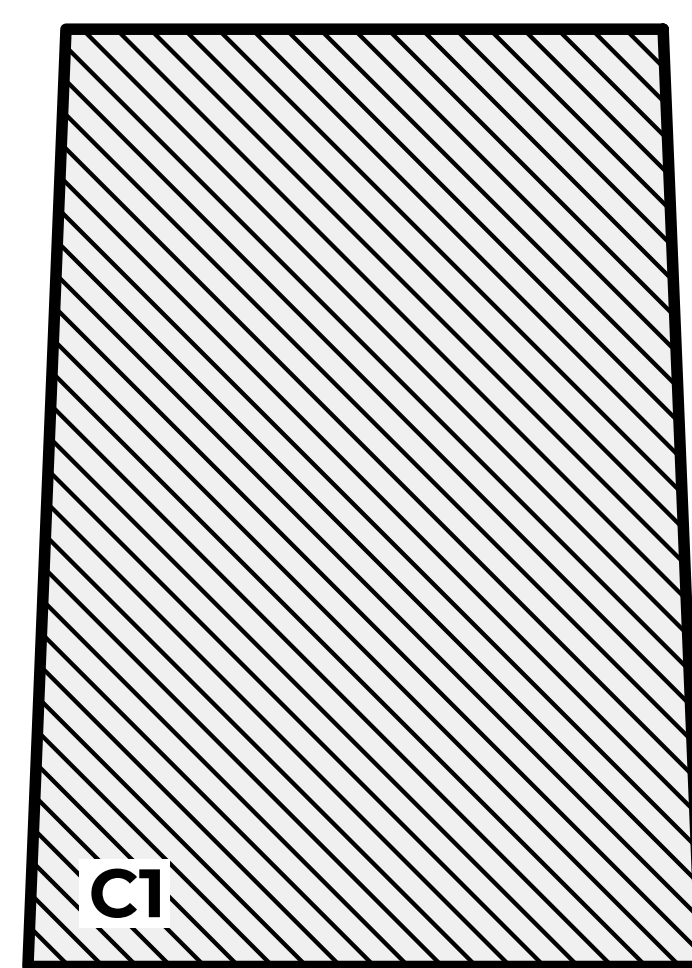
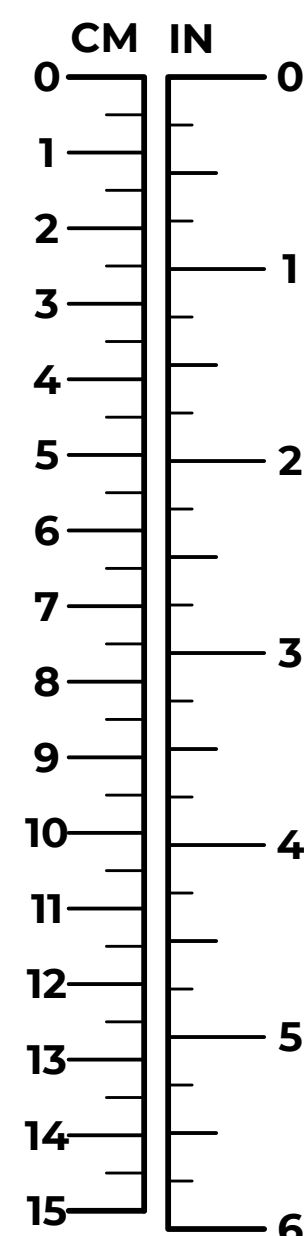
MINI ROCKET STOVE

VIEWS 001



NOTES:

THESE PATTERNS ARE INTENDED TO BE PRINTED ON 24"X36" PAPER AT 1:1 SCALE. PLEASE CHECK THE ACCURACY OF THE PRINT BY USING THE SCALE BELOW.



SCALE: 1"=1"

MINI ROCKET STOVE

PATTERNS 002

