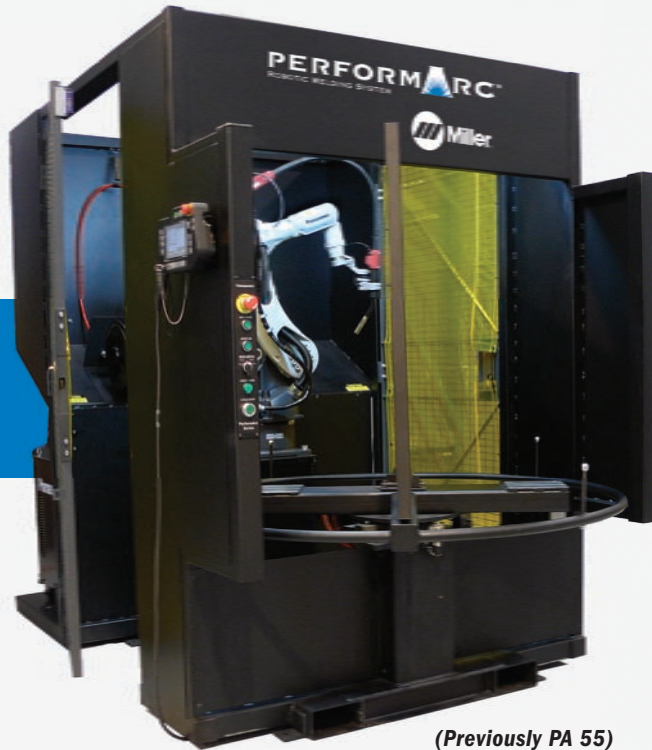




PA 250 M

PERFORMARC™
ROBOTIC WELDING SYSTEM



(Previously PA 55)

Extremely High Productivity per Square Foot

- Small system fits in tight spots around the shop.
- Extremely high output-to-investment ratio makes it great for both first-time users and larger companies with a lower volume of automation projects.

Manufacturing Flexibility

- Working area is up to 20% larger than comparable standard systems. Accommodates nominal part sizes of 12" x 53", 18" x 45" and 24" x 30".
- Fully-welded frame, shipped to you completely pre-wired and pre-assembled, eliminates assembly time, getting you up and running in minutes.
- Easy to relocate — simply disconnect the utilities, move to the new location, and reconnect the utilities.
- Platen design with a bolt pattern makes it easy to exchange multiple repeatable fixtures on the same work cell.
- Integrated operator control panel and full-color teach pendant offer you full system control, diagnostics, and programming capability in one central location.

Personal Safety

- Designed to ensure that your investment is not only productive, but safe for your employees (ANSI RIA15.06-1999, UL1740, NFPA 79 and CSA Z434 compliant).
- Servo power indicator lamps and brake release switches on the robot increase awareness for easier recovery.
- Manually activated table allows you to control of the table index — eliminating unexpected table motion.

Long-Term Support and Reliability

- PerformArc systems have been setting the standard in the welding industry for quality, reliability and productivity since 1996.
- Your PerformArc system is backed by Miller — you can count on us to be there for you today and tomorrow.
- 24/7/365 hotline provides customer service and parts support.

Dimensional Specifications*

Frame length (including table rotation)	2870 mm (113")
Frame width	1676 mm (66")
Frame height	2286 mm (90")
Table rotation diameter	1524 mm (60")
Table bolt pattern	M12 on 6"x6" @ 18" from table centerline
Table load height (from floor)	762 mm (30")
Table payload per side	113 kg (250 lb)
Table index method	Manual Activation
Maximum fixture/part height (above platen)	1066 mm (42")
Machine weight	1542 kg (3400 lb)
Input voltage (standard)	460 VAC
Number of phases	3
Amperage draw	30 A

*Note: All dimensions are approximate.

Standard Specifications

Fully integrated Miller Welding Automation total solution includes:

- Panasonic® TA Series 6 kg arc welding robot
- Panasonic (latest generation) 64 bit controller with TFT color display teaching pendant utilizing Windows® CE
- Auto-Access® inverter arc welder
- Miller 4-drive roll wire feeder with tachometer feedback
- Tregakiss™ 500 A air-cooled welding torch and safety holder utilizing standard collision detection/protection software
- Miller Welding Automation designed and manufactured total productivity system

System features include:

- Integrated operator interface (E-Stop, Auto Mode, Servo On, Mode Select, Table Load/Unload, Cycle Start)
- Full open, hinged doors (2) for easy access to the teaching area
- TCP pointer and resident TCP check program
- Tip change monitor and maintenance program for easy torch upkeep
- Arc start retry, arc overlapping, flying arc start, password protection
- Resume function, shifting functions, online help function

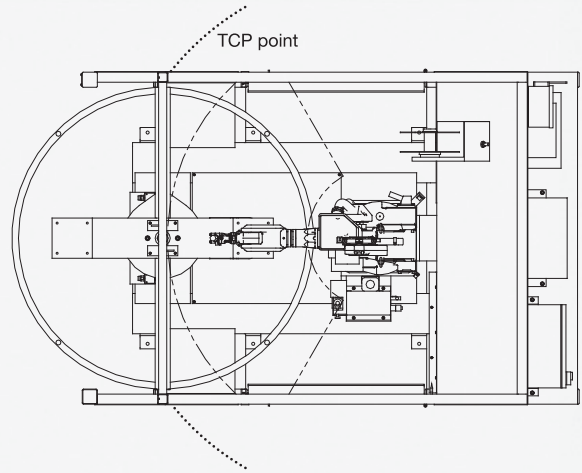
General system information:

- Integrated safety environment including (2) interlocked access doors, arc screen barrier on main indexer, hard stop limits on robot, robot home position monitor, table in position monitor
- Common mounting base for the entire system, no assembly required
- Easy to move (forklift access front and rear of cell)
- Designed for compliance to industry safety standards: ANSI RIA 15.06-1999, UL 1740, NFPA 79, CSA Z434
- Manual indexing 180 degree turntable, interlocked with start button

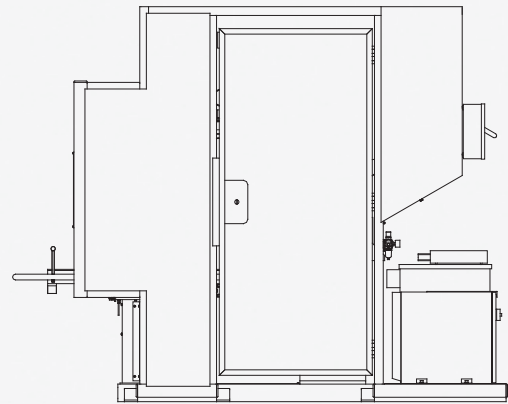
Recommended System Options

- SmartStart training and installation package
- Nozzle reaming station
- PC Tools (program viewer/editor/program management software)
- WPMGR (Welding Process Manager) protection software

Top View



Side View



Standard Equipment

Robot	TA-1000G2
Robot reach	1068 mm (42.04")
Arc welder	Auto-Access 300
Arc welder amperage	300 A @ 60%
Arc welding processes	CV/Accu-Pulse®/RMD®
Applicable wire sizes	.035/.045/.052 MS/SS/Metal Core

Optional Equipment

Arc welder	Auto-Access 450
Arc welder amperage	450 A @ 100%
Arc welding processes	CV/Accu-Pulse/RMD
Applicable wire sizes*	.035/.045/.052/.062 MS/SS/Metal Core

*Consult the factory for aluminum specifications.



MillerWelds.com/automation

Miller Welding Automation | 281 E. Lies Rd. | Carol Stream, IL 60188 | 888-843-7693

253415 June 2011

